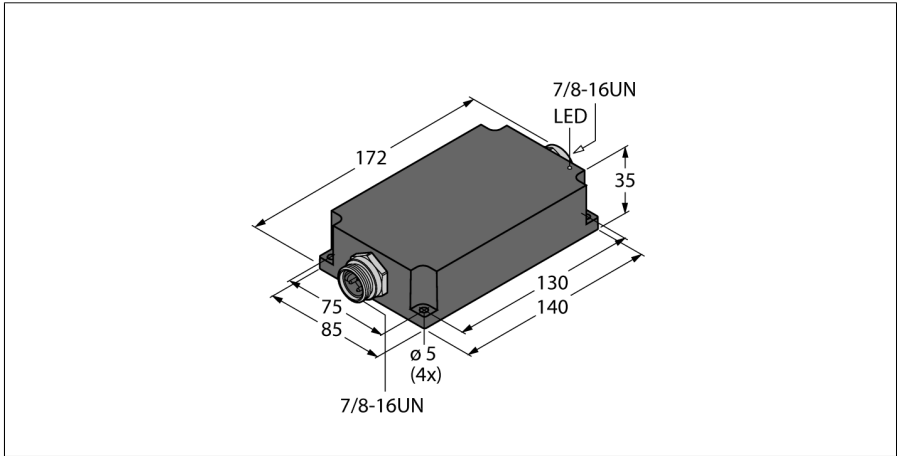
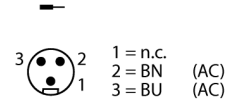


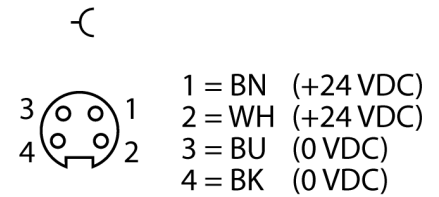
**Compact power supply module in IP67**  
**24 VDC output voltage - 3.8 A output current**  
**PSU67-11-2440/M**



**7/8" Input Assignment**

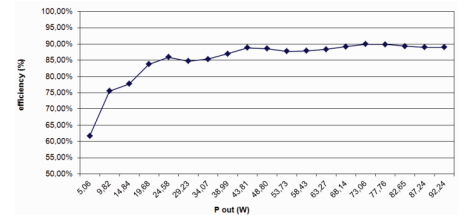


**7/8" Output Assignment**



<b>Type designation</b>	PSU67-11-2440/M
Ident-No.	6884141
<b>Nominal voltage</b>	Universal voltage supply unit
Operating voltage	100...240 VAC
Frequency	50...60 Hz
Operating voltage range	100...300 VDC
Power consumption	≤ 104 VA
Power dissipation, typ.	≤ 11 W
External fuse	B10A, C10A
Mains buffering	Ui: 100...240 VAC/ 50 ms
<b>Nominal output voltage</b>	24 V
Nominal current	3.8 A
Overload protection	105-130 %
Parallel mode	no
Ripple	240 mV
Short-circuit behaviour	Current limiting
<b>Approval</b>	CE compliant UL certified RoHS compliant Safety extra low voltage SELV acc. to EN 60950-1: 2016 + A11: 2009 + A1: 2010 + A12: 2011 + A2: 2013 (Information technology equipment - safety) EN 61000-6-2: 2005 (Immunity) EN 61000-6-3: 2007 + A1: 2011 (Emission) EN 61000-3-2: 2006 + A1: 2009 + A2: 2009 (Harmonics)
Approval	CE compliant UL certified RoHS compliant Safety extra low voltage SELV acc. to EN 60950-1: 2016 + A11: 2009 + A1: 2010 + A12: 2011 + A2: 2013 (Information technology equipment - safety) EN 61000-6-2: 2005 (Immunity) EN 61000-6-3: 2007 + A1: 2011 (Emission) EN 61000-3-2: 2006 + A1: 2009 + A2: 2009 (Harmonics)
<b>Operational readiness</b>	LED green

**Characteristic**



## Compact power supply module in IP67

### 24 VDC output voltage - 3.8 A output current

### PSU67-11-2440/M

---

<b>Protection class</b>	IP67
Ambient temperature	-25...+60 °C
Storage temperature	-40...+85 °C
Derating	2 % / K (50 °C)
Dimensions	85 x 172 x 35 mm
Weight	812 g
Housing material	Glass fiber reinforced polyamide (PA6-GF25)
Electrical connection	Connector
MTTF	87 years
MTTF note	acc. to SN 29500 (Ed. 99) 40 °C