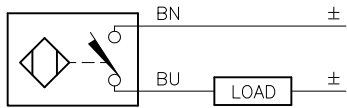


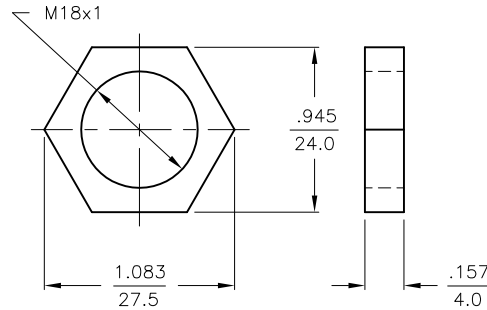
WIRING DIAGRAMS



OUTPUT: AD4X

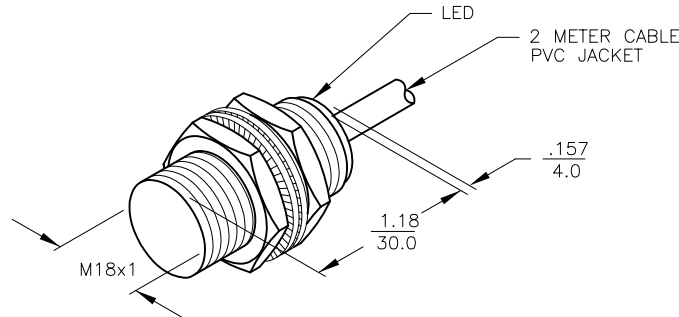
SHORT-CIRCUIT AND OVERLOAD PROTECTED

LOCKNUT LN-MT18



SPECIFICATIONS

OPERATING VOLTAGE	10-65 VDC
RIPPLE	≤ 10%
DIFFERENTIAL TRAVEL (HYSTERESIS)	1-15% (5% TYPICAL)
VOLTAGE DROP ACROSS CONDUCTING SENSOR	≤ 5 V at 100 mA
OUTPUT FUNCTION	NORMALLY OPEN 2-WIRE DC SELF-CONTAINED
TTL COMPATIBLE	NO
SHORT-CIRCUIT PROTECTED	YES
TRIGGER CURRENT FOR OVERLOAD PROTECTION	≥ 120 mA
CONTINUOUS LOAD CURRENT	≤ 100 mA
OFF-STATE (LEAKAGE) CURRENT	≤ 0.6 mA
TIME DELAY BEFORE AVAILABILITY	≤ 3 ms
POWER-ON EFFECT	PER IEC 947-5-2
REVERSE POLARITY PROTECTION	INCORPORATED
PROTECTION AGAINST TRANSIENTS	Per EN 60947-5-2
OPERATING TEMPERATURE (10% DRIFT)	-25°C to +70°C (-13°F to +158°F)
ENCLOSURE	MEETS NEMA 1, 3, 4, 6, 13 AND IEC IP67
SHOCK	30 g, 11 ms
VIBRATION	55 Hz, 1 mm AMPLITUDE (IN ALL 3 PLANES)
LED FUNCTION	YELLOW: OUTPUT ENERGIZED
RATED OPERATING DISTANCE(Sn)	7 mm = .276" (NOMINAL)
SWITCHING FREQUENCY	400 Hz
REPEATABILITY	< 2% of RATED OPERATING DISTANCE
EMBEDDABLE (SHIELDED)	YES



- NOTES: 1. MATERIALS:  
 BARREL - PTFE COATED BRASS  
 LOCKNUTS - PTFE COATED BRASS  
 LOCKWASHERS - SILVER CHROMATED STEEL  
 END CAP - TPR-O ELASTOMER  
 SENSING FACE - PA 12- GF30 PLASTIC

SOURCE DRAWING - FOR REFERENCE ONLY

RELATED DOCUMENTS		3RD ANGLE PROJECTION		THIS DRAWING IS CONFIDENTIAL AND THE PROPERTY OF TURCK INC. USE OF THIS DOCUMENT WITHOUT WRITTEN PERMISSION IS PROHIBITED.		<p>3000 CAMPUS DRIVE                  MINNEAPOLIS, MN 55441                  1-800-544-7769                  (763) 553-7300                  (763) 553-0708 fax                  www.turck.us</p>	
1. 2. 3. 4.				DRFT	JBW	DATE	01/29/03
MATERIAL		SEE NOTES		APVD		SCALE	1=2.0
FINISH		SEE NOTES		UNIT OF MEASUREMENT		DESCRIPTION	
				INCH [ MILLIMETER ]		BI7-GT18K-AD4X	
				CONTACT TURCK FOR MORE INFORMATION		IDENTIFICATION NO.	
				DO NOT SCALE THIS DRAWING		4414586	
						REV	
						D	
D UPDATE ID NUMBER PER HARMONIZATION PROJECT		CBM 11/15/17		FILE: 4414586		SHEET 1 OF 1	
REV DESCRIPTION		BY DATE ECO NO.					