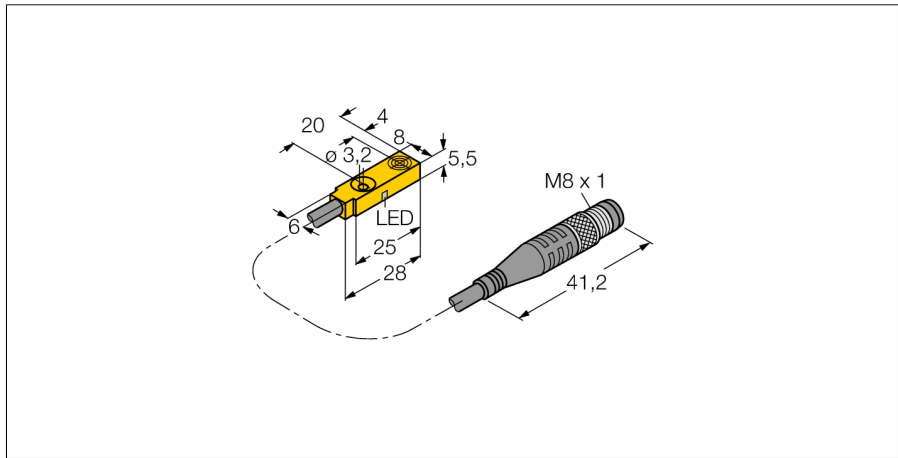
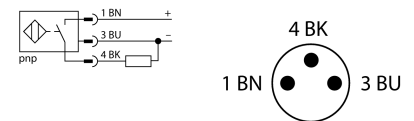


**Inductive sensor**  
**BI2-Q5.5-AP6X-0.3-PSG3M**



- Rectangular, height 5.5 mm
- Active face on top
- Plastic, PP
- DC 3-wire, 10...30 VDC
- NO contact, PNP output
- M8 x 1 male connector

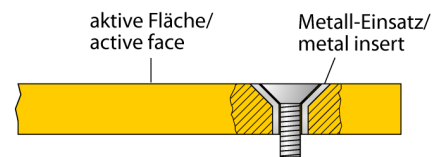
**Wiring Diagram**



<b>Type designation</b>	BI2-Q5.5-AP6X-0.3-PSG3M
Ident no.	1613007
<b>Rated switching distance S<sub>n</sub></b>	2 mm
Mounting conditions	Flush
Secured operating distance	≤ (0,81 x S <sub>n</sub> ) mm
Correction factors	St37 = 1; Al = 0.3; stainless steel = 0.7; Ms = 0.4
Repeat accuracy	≤ 2 % of full scale
Temperature drift	≤ ± 10 %
Hysteresis	3...15 %
Ambient temperature	-25...+85 °C
<b>Operating voltage</b>	10...30 VDC
Residual ripple	≤ 10 % U <sub>ss</sub>
DC rated operational current	≤ 150 mA
No-load current I <sub>0</sub>	≤ 15 mA
Residual current	≤ 0.1 mA
Isolation test voltage	≤ 0.5 kV
Short-circuit protection	yes/ Cyclic
Voltage drop at I <sub>0</sub>	≤ 1.8 V
Wire breakage/Reverse polarity protection	yes/ Complete
Output function	3-wire, NO contact, PNP
Switching frequency	2 kHz
<b>Design</b>	Rectangular, Q5,5
Dimensions	28 x 8 x 5.5 mm
Housing material	Plastic, PP-GF20
Material coupling nut	metal, CuZn, nickel-plated
Tightening torque fixing screw	0.5 Nm
Electrical connection	Connectors, M8 x 1
Cable quality	3 mm, Gray, Lif9Y-11Y, PUR, 0.3m Suited for E-ChainSystems® acc. to manufacturers declaration H1063M
Cable cross section	3 x 0.14 mm <sup>2</sup>
Vibration resistance	55 Hz (1 mm)
Shock resistance	30 g (11 ms)
Protection class	IP67
MTTF	2283 years acc. to SN 29500 (Ed. 99) 40 °C
<b>Switching state</b>	LED, Yellow

**Functional principle**

Inductive sensors detect metal objects contactless and wear-free. For this, they use a high-frequency electromagnetic AC field that interacts with the target. Inductive sensors generate this field via an RLC circuit with a ferrite coil.



**Inductive sensor**  
**BI2-Q5.5-AP6X-0.3-PSG3M**

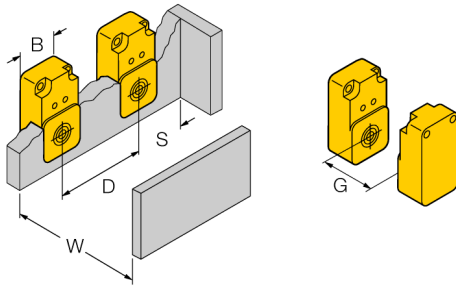
---

<b>Distance D</b>	2 x B
Distance W	3 x Sn
Distance S	1 x B
Distance G	6 x Sn

---

**Width active area B** 8 mm

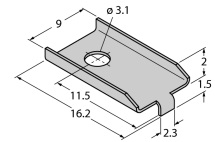
---



**Inductive sensor  
BI2-Q5.5-AP6X-0.3-PSG3M**

**Accessories**

Type code	Ident no.	Description
MW-Q4.7/Q5.5	6945013	Mounting bracket for rectangular Q4.7 or Q5.5; material VA 1.4401



**Wiring accessories**

Type code	Ident no.	Description
PKG3M-2/TEL	6625058	Connection cable, female M8, straight, 3-pin, cable length: 2 m, sheath material: PVC, black; cULus approval; other cable lengths and qualities available, see <a href="http://www.turck.com">www.turck.com</a>

