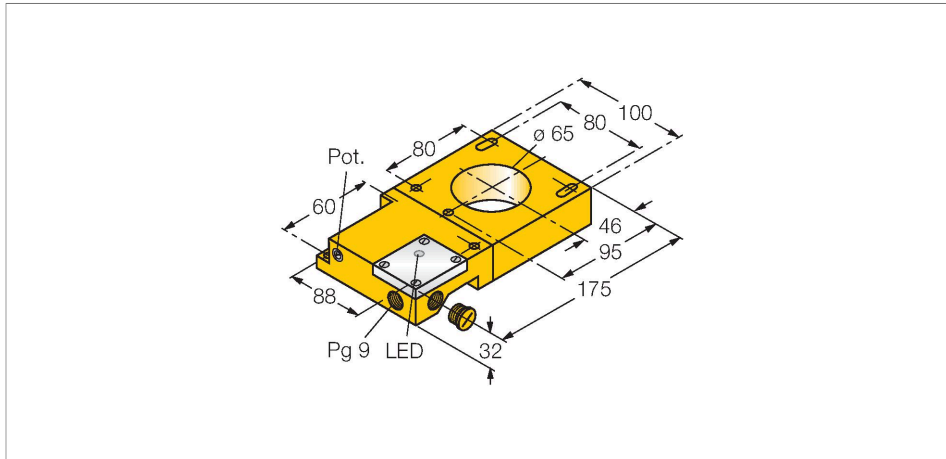


NI65R-S32SR-VP44X

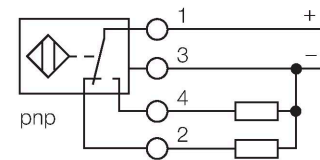
Inductive Sensor – Ring Sensor



Features

- Rectangular, height 32 mm
- Plastic, ABS
- Static output behavior
- Sensitivity adjusted via potentiometer
- Modular design, ring probe and switching amplifier also separately mountable
- Output pulse length min. 100 ms
- DC 4-wire, 10...55 VDC
- Changeover contact, PNP output
- Terminal chamber

Wiring diagram

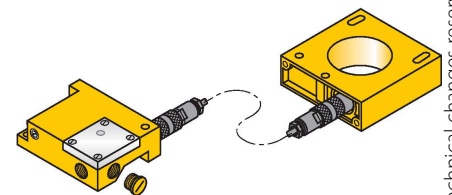


Technical data

Type	NI65R-S32SR-VP44X
Ident. no.	1440008
Inside ring diameter D	65 mm
Steel wire diameter (St37)	≥ 2 mm
Repeat accuracy	≤ 2 % of full scale
pulse stop	≥ 5 ms
Pulse duration at the output	≥ 100 ms ± 20 %
Ambient temperature	-25...+70 °C
Operating voltage	10...55 VDC
Residual ripple	≤ 10 % U _{ss}
DC rated operational current	≤ 200 mA
No-load current	≤ 20 mA
Residual current	≤ 0.1 mA
Isolation test voltage	≤ 0.5 kV
Short-circuit protection	yes / Cyclic
Voltage drop at I _e	≤ 1.8 V
Wire breakage/Reverse polarity protection	yes / Complete
Output function	4-wire, Complementary contact, PNP
Switching frequency	0.008 kHz
Design	Ring sensor, S32SR
Dimensions	175 x 100 x 32 mm
Housing material	Plastic, ABS
Electrical connection	Terminal chamber
Coil body	plastic, POM

Functional principle

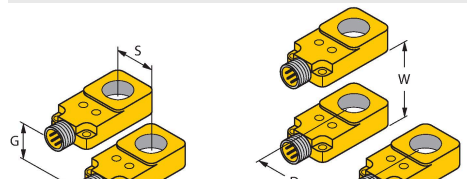
Inductive sensors detect metal objects contactless and wear-free. For this purpose they use a high-frequency electromagnetic AC field that interacts with the target. Inductive ring sensors generate this field through an LC resonant circuit. The target acts as the coil core.



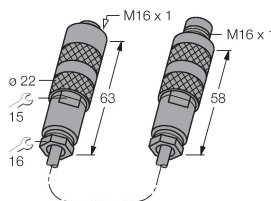
Technical data

Vibration resistance	55 Hz (1 mm)
Shock resistance	30 g (11 ms)
Protection class	IP65
MTTF	2283 years acc. to SN 29500 (Ed. 99) 40 °C
Switching state	LED, Yellow
Included in delivery	cable gland, blanking plug

Mounting instructions

Mounting instructions/Description		
	Distance D	150 mm
	Distance W	150 mm
	Distance S	150 mm
	Distance G	150 mm

Accessories

ADAPTER CABLE RING 1.6M	14306
	<p>Adapter cable enables separate mounting of ring probe and switching amplifier; coax cable: RG58 C/U 50 Ohm</p>