

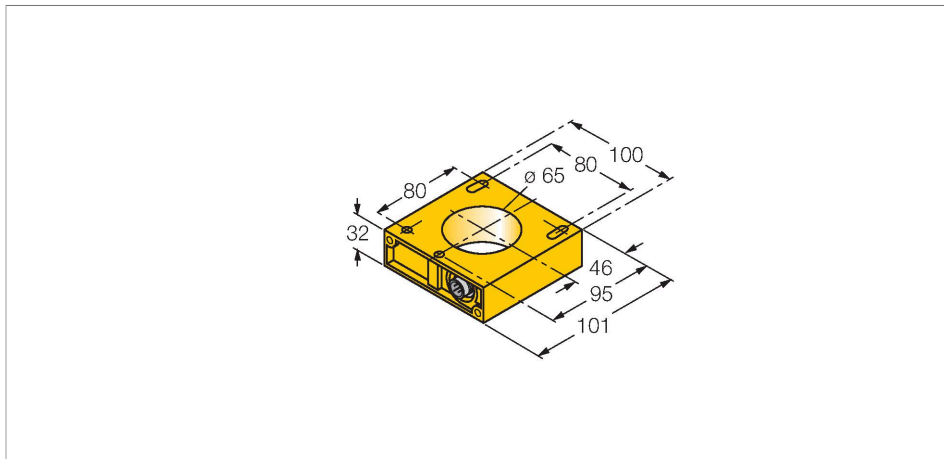
## NI65R- Inductive Sensor – Ring Probe

### Features

- Rectangular, height 32 mm
- Plastic, ABS
- Modular mounting with the S32SR-AP44X-S1131 or S32SR-VP44X switching amplifier

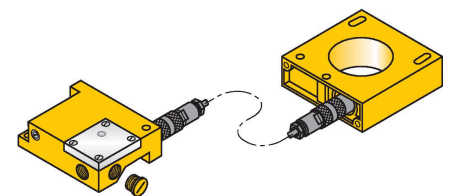
### Functional principle

Inductive sensors detect metal objects contactless and wear-free. For this purpose they use a high-frequency electromagnetic AC field that interacts with the target. Inductive ring sensors generate this field through an LC resonant circuit. The target acts as the coil core.



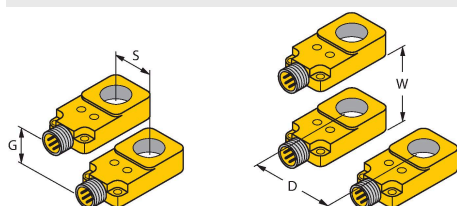
### Technical data

Type	NI65R-
Ident. no.	1440007
Inside ring diameter D	65 mm
Steel wire diameter (St37)	≥ 2 mm
pulse stop	≥ 5 ms
Pulse duration at the output	≥ 100 ms ± 20 %
Ambient temperature	-25...+70 °C
Design	Ring probe, S32
Dimensions	95 x 100 x 32 mm
Housing material	Plastic, ABS
Coil body	plastic, POM
Protection class	IP65



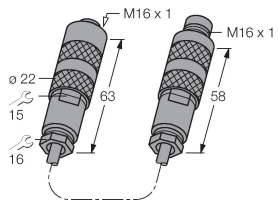
### Mounting instructions

#### Mounting instructions/Description



Distance D	150 mm
Distance W	150 mm
Distance S	150 mm
Distance G	150 mm

## Accessories

**ADAPTER CABLE RING 1.6M****14306**

Adapter cable enables separate mounting of ring probe and switching amplifier; coax cable: RG58 C/U 50 Ohm