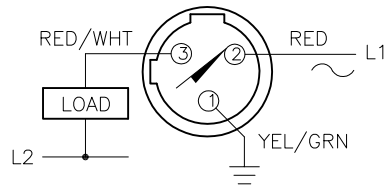


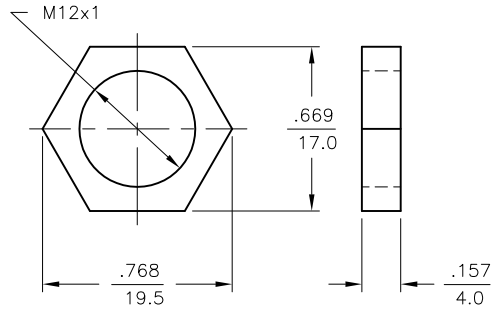
WIRING DIAGRAM



OUTPUT: AZ33X

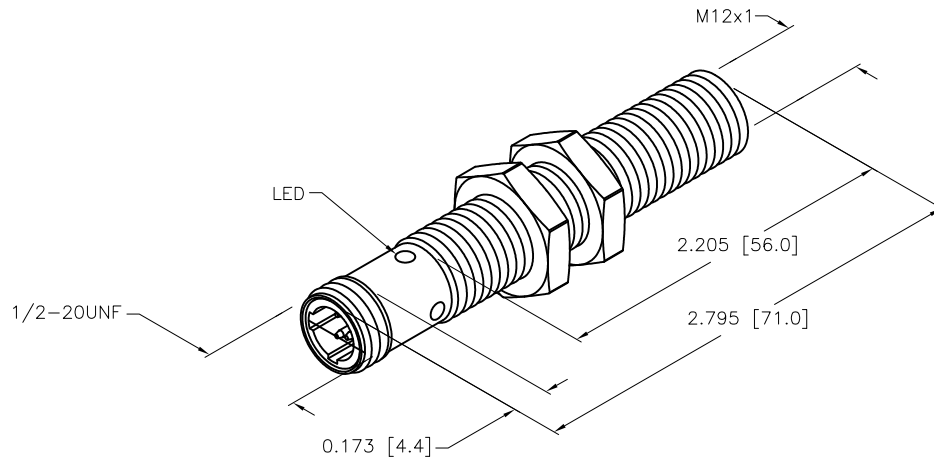
WARNING: NO SHORT-CIRCUIT PROTECTION. ALWAYS WIRE A LOAD IN SERIES WITH THE SENSOR.

LOCKNUT LN-M12


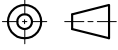


SPECIFICATIONS

RATED OPERATING DISTANCE	2.0mm = .079"
MOUNTING MODE	FLUSH
TEMPERATURE DRIFT	≤±10%
HYSTERESIS	3-15%
MIN. REPEAT ACCURACY	≤2%
OPERATING TEMPERATURE	-25°C to +70°C (-13°F to +158°F)
RATED OPERATIONAL VOLTAGE	20-250 VAC/10-300 VDC
RESIDUAL RIPPLE	≤ 10%
RATED OPERATIONAL CURRENT	≤ 100 mA
RESIDUAL CURRENT	≤ 1.7 mA
RATED INSULATION VOLTAGE	≤ 0.5 kV
SHORT-CIRCUIT PROTECTION	NO
MAX. VOLTAGE DROP	≤ 6 V
MIN. OPERATIONAL CURRENT	≥ 3 mA
LINE FREQUENCY	40-60 Hz
MAX. SWITCHING FREQUENCY	≤ 0.2 kHz
OUTPUT FUNCTION	2-WIRE, NORMALLY OPEN, SELF CONTAINED
HOUSING MATERIAL	BRASS/CHROME-PLATED
ACTIVE FACE MATERIAL	PLASTIC, PA12-GF30
CONNECTION	1/2-20UNF
VIBRATION RESISTANCE	55 Hz (IN ALL 3 PLANES)
SHOCK RESISTANCE	30 g, 11 ms
DEGREE OF PROTECTION	IP 67
LED FUNCTION	RED: OUTPUT ENERGIZED



SOURCE DRAWING - FOR REFERENCE ONLY

RELATED DOCUMENTS		3RD ANGLE PROJECTION		THIS DRAWING IS CONFIDENTIAL AND THE PROPERTY OF TURCK INC. USE OF THIS DOCUMENT WITHOUT WRITTEN PERMISSION IS PROHIBITED.		 3000 CAMPUS DRIVE MINNEAPOLIS, MN 55441 1-800-544-7769 (763) 553-7300 (763) 553-0708 fax www.turck.us	
1. 2. 3. 4.				DRFT	SWC	DATE	8/2/94
MATERIAL		ALL DIMENSIONS DISPLAYED ON THIS DRAWING ARE FOR REFERENCE ONLY		APVD		SCALE	1=1.0
SEE SPECS		CONTACT TURCK FOR MORE INFORMATION		UNIT OF MEASUREMENT		DESCRIPTION	
FINISH				INCH [MILLIMETER]		B12-G12-AZ33X-B3131	
SEE SPECS				DO NOT SCALE THIS DRAWING		IDENTIFICATION NO.	REV
						1304032	
I	UPDATE ID NUMBER PER HARMONIZATION PROJECT	CBM	04/09/18			FILE: 1304032	SHEET 1 OF 1
REV	DESCRIPTION	BY	DATE	ECO NO.			