

TORK[®] nsi INDUSTRIES

SPECIFICATION SHEET

Project Info:	Type:
Job Ref:	Catalog Number:
Approvals:	Date:

5200-UL ELECTRONIC SERIES

Electronic Instant Response LED Photocontrol



5237-UL
Electronic LED Photocontrol Mounting Turn-Lock

OVERVIEW

The 5200-UL Electronic Series Photocontrol is designed to meet local utility standards for street and highway LED luminaires.

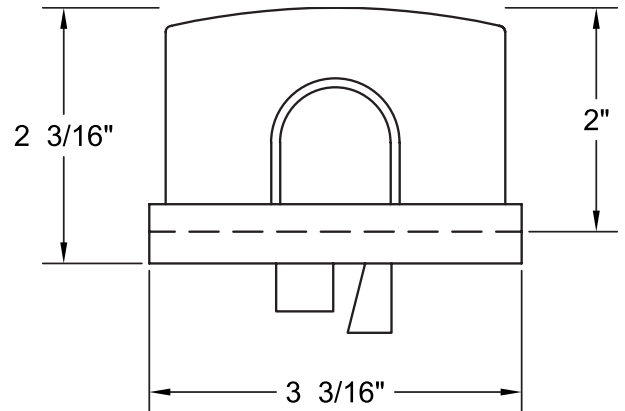
APPLICATIONS & FEATURES

- All LED, CFL, Induction, HPS and HID lighting fixtures requiring instant response dusk-to-dawn control.
- Ideal for roadway, area, rarking, flood and security type lighting fixtures.
- Enhanced 360 Joule MOV surge device provides protection against unpredictable line voltage spikes.
- Superior light sensing technology driven by a Non-Drifting Filtered Silicon Sensor designed for extreme accuracy and Human Eye Response.
- Circuit Board protection enhanced with conformal coating to protect against extreme weather elements and moisture.
- Long life components exceeding the 20 year long life requirement found on most LED fixtures.
- Life testing results exceed 10,000 ON/OFF operations.

SPECIFICATIONS

- **Voltage:** 105-305VAC, 50/60Hz.
- **Tungsten:** 1000 Watts.
- **Ballast:** 1800VA (U.S.) or 1000VA (Canada).
- **LED Electronic Ballast:** 4A or Totaling 1000W@277VAC.
- **Dielectric Strength:** 2500VAC.
- **Turn ON Light Level:** 1.5 fc +/- 0.2 fc Instant ON.
- **Turn OFF light Level:** 1.5:1 (2.25 fc) with 2-5 second delay.
- **Operating Temperature:** -40°F to 158°F (-40°C to 70°C).
- **Fail Mode:** ON.
- **Surge Protection:** 360 Joule MOV.
- **Power Consumption:** <.5 Watts.

DIMENSIONS



REGULATORY LISTINGS

- ANSI C136.10-2010
- UL773 & CSA TIL A15



LIMITED WARRANTY

- 8-year manufacturer's warranty

ORDERING INFO

5237-UL PHOTOCONTROL

TECHNOLOGY & TYPE		VOLTAGE	COVER COLOR	TURN-ON LEVEL (fc)	FAIL MODE	MOV RATING	TUNGSTEN/BALLAST	LED RATING
5237-UL	ELECTRONIC TURN-LOCK	105-305VAC	BLUE	1.5 ANSI STD.	ON	360J	1000W/1800VA	4A or 1000W