



**TIMBERLINE**  
**TOOL®**

**TOPSIDE**  
TOP • SIDE • CLAMP

**800-735-6845**

## TC1-S TOPSIDE CLAMP

FOR 1/2" TO 1" PE GAS PIPE



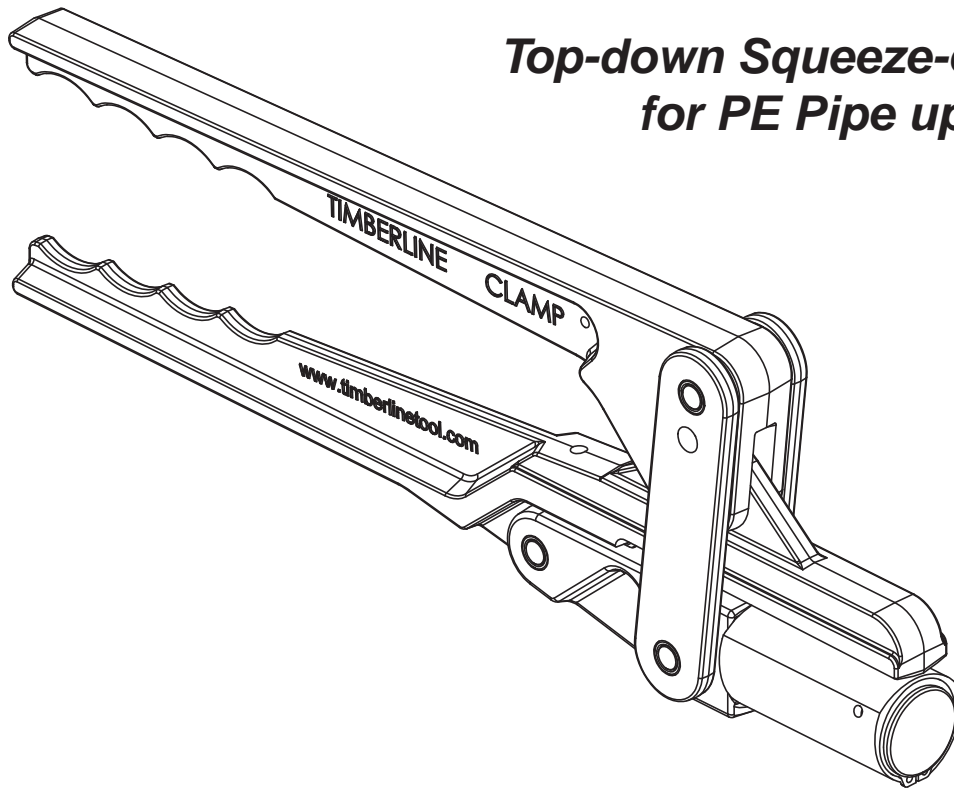
**A Top-Down  
Approach to  
Maintenance**

**Keyhole  
Compatible**



*Innovative Tool Technology*

# TC1-S Specifications



*Top-down Squeeze-off Solutions  
for PE Pipe up to 1"*

Patented Mechanical operation for ease of use.

Top-down application requiring no under-the-pipe excavation.

Light weight for manual placement and operation by one person.

Aircraft-grade aluminum for high strength, corrosion resistance, and durability.

Large jaw radius provides safe squeeze-off at 15% pipe wall compression.

Self-locking mechanism prevents premature release.

Rotating sleeve adjusts for up to three different pipe sizes.

"Lock-out/Tag-out" capability for operator safety



[www.timberlinetool.com](http://www.timberlinetool.com)

**800-735-6845**

## Timberline TC1-S

Small Hand Tool

Length: 15.0 in (38.1 cm)

Width: 5.5 in (14.0 cm)

Weight: 3.0 lb (1.4 kg)

## Choose 3 pipe sizes.

Effective on Pipe Sizes

1/2" to 1" (12mm to 32mm) IPS

1/2" to 1-1/4" (12mm to 32mm) CTS

*Innovative Tool Technology*