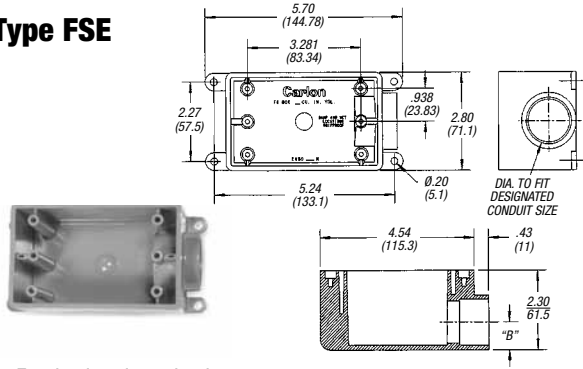


## Switch and Junction Boxes

### Single-Gang FS Boxes

LR31146  
Where noted by   
UL LISTED  
E11461

#### Type FSE

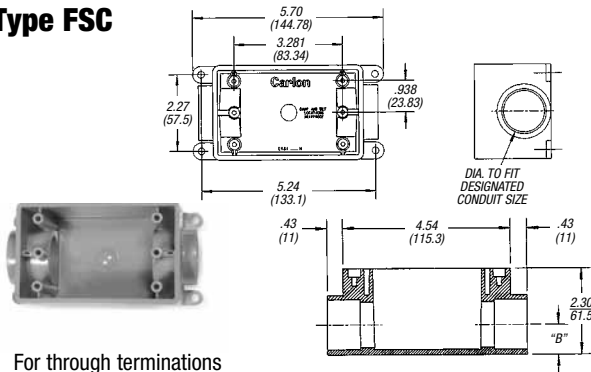


- For dead-end terminations
- All sizes take standard covers and accessories or devices
- Integral mounting feet provide easy mounting

CAT. NO.	SIZE (IN.)	VOL. CU. IN.	STD. CTN.
E980DFN	½	19	10
☛ C980DFN-CTN	½	18	12
E980EFN	¾	19	10
☛ C980EFN-CTN	¾	18	12
E980FFN	1	19	18
☛ C980FFN-CTN	1	18	8
E980FFN-CAR	1	19	10

☛ Canada Only

#### Type FSC

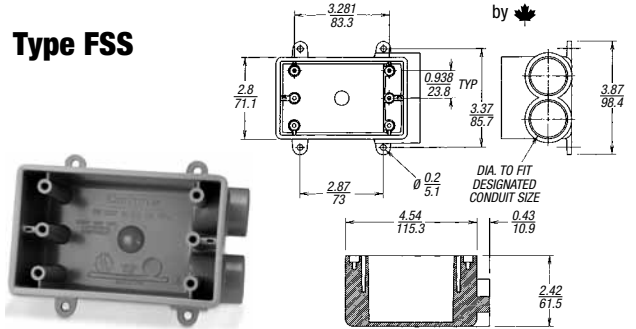


- For through terminations
- All sizes take standard covers and accessories or devices
- Detachable mounting feet provide easy mounting

CAT. NO.	SIZE (IN.)	VOL. CU. IN.	STD. CTN.
E981DFN	½	19	15
☛ C981DFN-CTN	½	18	12
E981EFN	¾	19	15
☛ C981EFN-CTN	¾	18	12
E981FFN	1	19	18
E981FFN-CAR	1	19	10
☛ C981FFN-CTN	1	18	8

☛ Canada Only

#### Type FSS

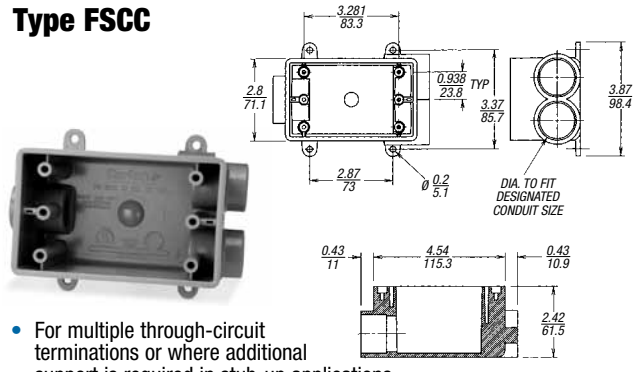


- For multiple dead-end circuit terminations or where additional support is required in stub-up applications
- All sizes take standard covers and accessories or devices
- Detachable mounting feet provide easy mounting

CAT. NO.	SIZE (IN.)	VOL. CU. IN.	STD. CTN.
E982DFN	½	19	10
☛ C982DFN-CTN	½	18	12
E982EFN	¾	19	10
☛ C982EFN-CTN	¾	18	12
E982FFN	1	19	10
☛ C982FFN-CTN	1	18	8

☛ Canada Only

#### Type FSCC



- For multiple through-circuit terminations or where additional support is required in stub-up applications
- All sizes take standard covers and accessories or devices
- Detachable mounting feet provide easy mounting

CAT. NO.	SIZE (IN.)	VOL. CU. IN.	STD. CTN.
E979DFN-CAR	½	19	10
☛ C979DFN	½	18	15
E979EFN-CAR	¾	19	10
☛ C979EFN	¾	18	15
E979FFN	1	19	15
☛ C979FFN	1	18	15

☛ Canada Only