

## Weatherproof Metallic Covers

Universal Design Installs in Both Horizontal and Vertical Applications.

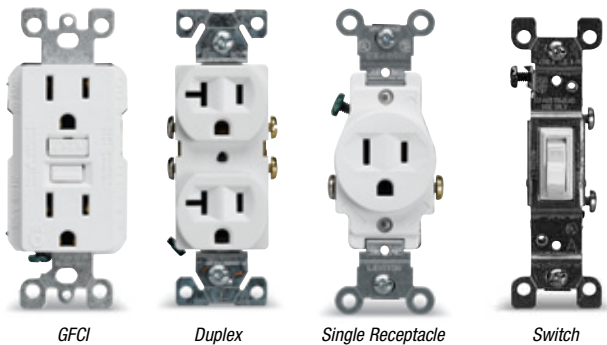
### Universal Flip-Lid Weatherproof Cover

New Red•Dot® Universal Flip-Lid Weatherproof Covers save you time and money by reducing the number of items you have to inventory to complete a job. Capable of mounting either vertically or horizontally, the covers provide added versatility with innovative adapter plates to support all of the most common installation configurations — 12 with the single-gang cover and 25 with the 2-gang cover. Choose from silver, bronze or white covers.

#### Features:

- Included adapter plates offer 12 installation options with single-gang cover and 25 installation options with 2-gang cover
- Keyhole openings on back enable easy installation on an existing outlet
- Durable, die-cast zinc-alloy construction
- Suitable for use in wet locations with cover closed
- Available in silver, bronze and white
- Lockable for security when not in use
- Easy access to outlet with 130° opening
- Preconfigured for GFCI — the industry's most common outdoor application

Accommodates Multiple Outlet Configurations (receptacles not included)

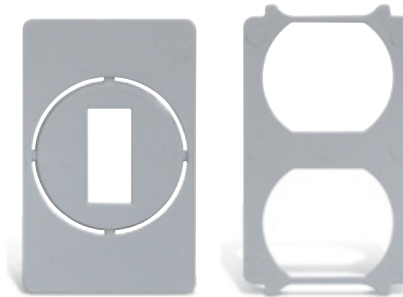


GFCI

Duplex

Single Receptacle

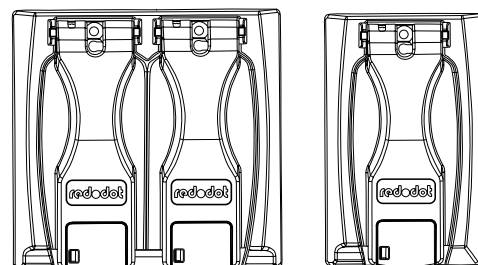
Switch



Includes Two Adapter Plates, Single Receptacle up to 1 1/16"



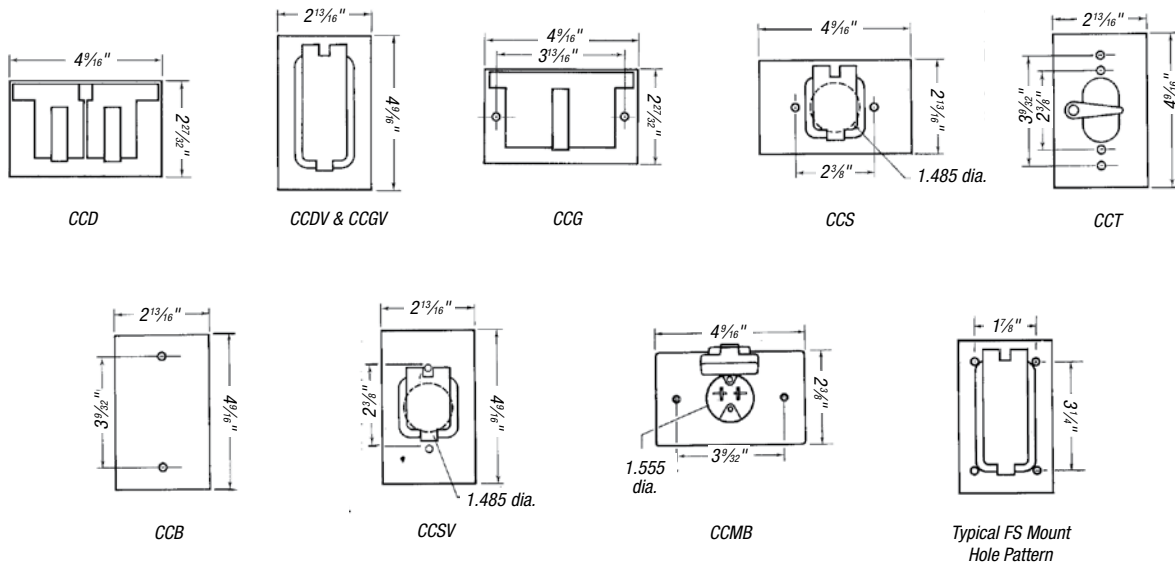
CAT. NO.	DESCRIPTION	STD. CTN.
CCU	Single-Gang Cover (installs vertically or horizontally) — Silver	50
DCCU	D-PAK® — Single-Gang Cover, Silver	25
DCCU-BR	D-PAK® — Single-Gang Cover, Bronze	25
DCCU-WH	D-PAK® — Single-Gang Cover, White	25
2CCU	2-Gang Cover — Silver	10
2CCU-BR	2-Gang Cover — Bronze	10
2CCU-WH	2-Gang Cover — White	10



Boxes & Covers — Red•Dot® Weatherproof

## Weatherproof Metallic Covers

### Single-Gang Covers



### Two- and Three-Gang Covers

