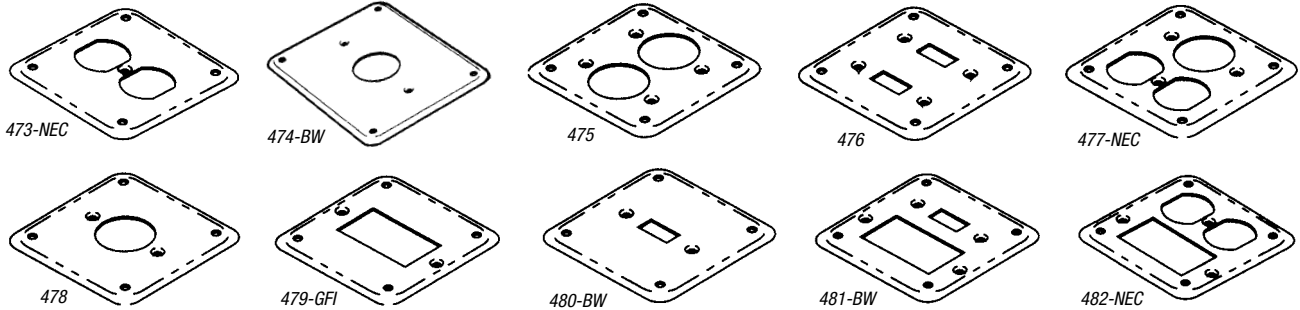


## Square Boxes and Accessories

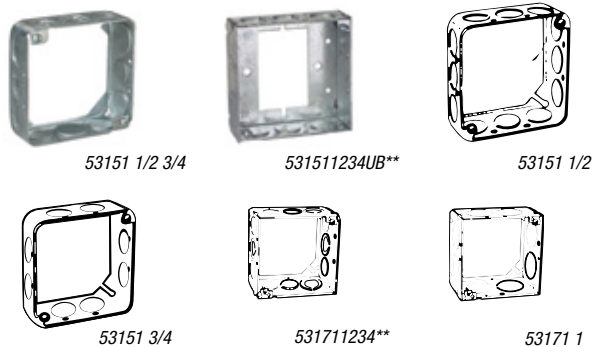
### 4" Square Industrial Device Covers (continued)



CAT. NO.	DESCRIPTION	STD. CTN.
473-NEC	<b>1/8" raised — 4" square</b> For one duplex receptacle in center. Each cover individually packaged with the necessary mounting screws*	25
474-BW	<b>1/8" raised — 4" square</b> For one single receptacle in center. Opening 1.4" diameter. Each cover individually packaged with the necessary mounting screws*	25
475	<b>1/8" raised — 4" square</b> For two single receptacles. Openings 1.4" diameter. Each cover individually packaged with the necessary mounting screws*	25
476	<b>1/8" raised — 4" square</b> For two toggle switches. Each cover individually packaged with the necessary mounting screws*	25
477-NEC	<b>1/8" raised — 4" square</b> For one duplex and one single receptacle. Opening 1.4" diameter. Each cover individually packaged with the necessary mounting screws*	25
478	<b>1/8" raised — 4" square</b> For one four-wire twist lock receptacle in center. Opening 1.594" diameter. Each cover individually packaged with the necessary mounting screws*	25
479-GFI	<b>1/8" raised — 4" square</b> For one GFI receptacle in center. Each cover individually packaged with the necessary mounting screws*	25
480-BW	<b>1/8" raised — 4" square</b> For one toggle switch in center. Each cover individually packaged with the necessary mounting screws*	25
481-BW	<b>1/8" raised — 4" square</b> For one GFI receptacle and one toggle switch. Each cover individually packaged with the necessary mounting screws*	25
482-NEC	<b>1/8" raised — 4" square</b> For one GFI and one duplex receptacle. Each cover individually packaged with the necessary mounting screws*	25

\*Fits any Steel City® 4" square outlet box or extension ring.

### 4" Square Extension Rings



CAT. NO.	KNOCKOUTS (IN.)		STD. CTN.
	EA. SIDE CONDUIT	EA. END CONDUIT	
<b>1 1/2" Deep — with Conduit KOs — 21.0 Cubic Inch Capacity</b>			
53151 1/2	3-1/2	3-1/2	50
53151 3/4	2-3/4	2-3/4	25
53151 1/2 3/4	2-1/2, 1-3/4	2-1/2, 1-3/4	50
531511234UB**	2-1/2, 1-1/2, 3/4E	2-1/2	50

<b>2 1/2" Deep — with Conduit KOs — 30.3 Cubic Inch Capacity</b>			
531711234*	2-1/2, 1-1/2, 3/4E	2-1/2, 1-3/4	25
53171 1	2-1	2-1	25

\* Per UL 514-A, suitable for use without a bonding jumper in circuits above or below 250 volts.

\*\* ECC, KOs on sides.