

## Weatherproof Metallic Boxes

### Round Boxes, Extensions and Covers

#### Applications:

- Junction for branch conduits
- Spacious, accessible wiring chamber provides a convenient location to maintain or change a system, pull conductors and make splices

#### Features/Benefits:

- Copper-free\* aluminum provides increased corrosion resistance
- Precision-cast and machined surfaces permit safer wire pulling
- Clean cover edges provide good gasket sealing
- Precision NPT threads enable trouble-free field installation for rigid, IMC or EMT conduit
- Deep-slotted stainless steel cover screws for faster installation
- Clear UL® and cubic content markings speed approval by inspectors

#### Standard Materials:

- S Boxes: Die-cast aluminum alloy A380
- SS-B Cover: Stamped aluminum
- Gaskets: Composition

#### Standard Finish:

- Powder-coated finish

#### Compliances:

- UL® Listed
- Federal Spec. W-C-586B

#### Sample Specifications:

- Outlet boxes and covers shall be die-cast copper-free\* aluminum alloy A380 ("S"). Outlet boxes and covers shall be finished with powder-coated paint.

Outlet boxes and covers shall be Red•Dot®.

Catalog No. \_\_\_\_\_

\* Less than .004% copper content.

\*\* S Boxes — Die-cast aluminum alloy A380.



#### Boxes

CAT. NO.	COLOR	HUB SIZE (IN.)	DESCRIPTION
<b>Five Outlets, 4 1/8" Diameter</b>			
S-47	Silver	1/2	5 Outlets, Cast
S-47-CFB	Silver	1/2	Ceiling Fan Box and Cover Rated for 50 lb. Fixture or 35 lb. Fan
S-48	Silver	3/4	Mounting Lugs, 4 Closure Plugs
S-48-CFB	Silver	3/4	Ceiling Fan Box and Cover Rated for 50 lb. Fixture or 35 lb. Fan
<b>D-PAK®</b>			
DS-47	Silver	1/2	5 Outlets
DS-47-BR	Bronze	1/2	5 Outlets
DS-47-WH	White	1/2	5 Outlets
DS-48	Silver	3/4	5 Outlets
DS-48-BR	Bronze	3/4	5 Outlets
DS-48-WH	White	3/4	5 Outlets
DS-47-B	Silver	1/2	With Blank Cover
DS-48-B	Silver	3/4	With Blank Cover



#### 4 1/2" Round Extensions

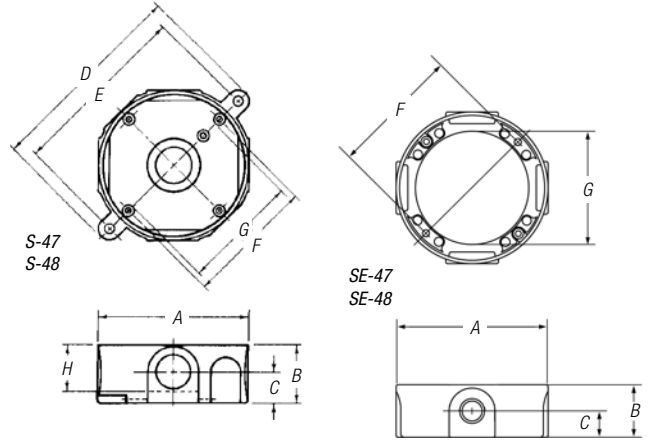
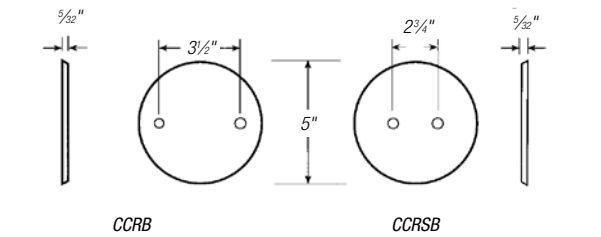
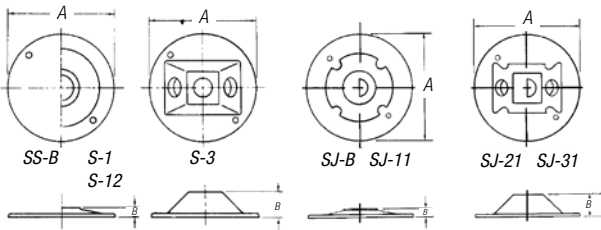
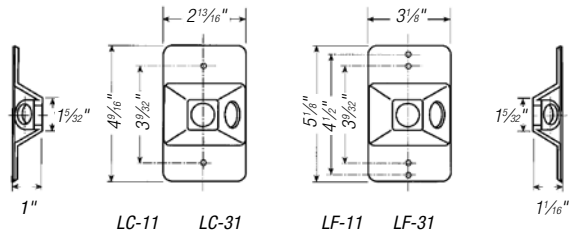
CAT. NO.	COLOR	HUB SIZE (IN.)	DESCRIPTION
<b>Four Outlets, 4 1/8" Diameter, 1 5/8" Deep</b>			
SE-47	Silver	1/2	4 Outlets
SE-48	Silver	3/4	4 Closure Plugs, Gasket and Screws

**Note:** Boxes are Raintight when used with appropriate Red•Dot® boxes.

All covers packed with gasket and screws.

## Weatherproof Metallic Lampholders

### Dimensions in Inches



CAT. NO.	HUB SIZE	DIMENSIONS (IN.)								
		A	B	C	D	E	F	G	H	CI
S-47	1/2	4 1/8	1 5/8	3/4	5 1/16	4 15/16	3 1/2	3 1/16	1 1/4	16.0
SE-47	1/2	4 1/8	1 5/8	1	—	—	3 1/2	3 1/16	—	18.3
S-48	3/4	4 1/8	1 5/8	7/8	5 1/16	4 15/16	3 1/2	3 1/16	1 1/4	16.0
SE-48	3/4	4 1/8	1 5/8	1 1/16	—	—	3 1/2	3 1/16	—	18.3
SS-B	—	4 1/8	3/64	—	—	—	—	—	—	—
S-1	1/2	4 1/8	3/8	—	—	—	—	—	—	—
S-12	3/4	4 1/8	3/8	—	—	—	—	—	—	—
S-3	1/2	4 1/8	1	—	—	—	—	—	—	—
SJ-B	—	4 1/2	3/8	—	—	—	—	—	—	—
SJ-11	1/2	4 1/2	3/8	—	—	—	—	—	—	—
SJ-21	1/2	4 1/2	1	—	—	—	—	—	—	—
SJ-31	1/2	4 1/2	1	—	—	—	—	—	—	—

## Photometrics

Photometrics are strictly a function of the lamp used.

