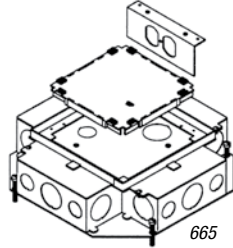
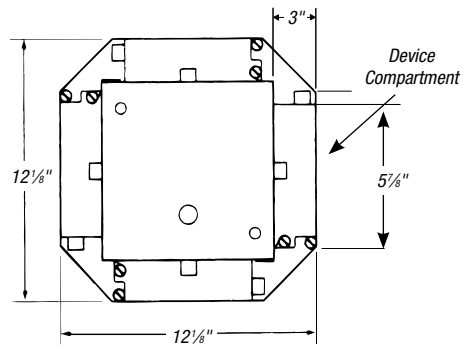


Recessed Service Floor Boxes

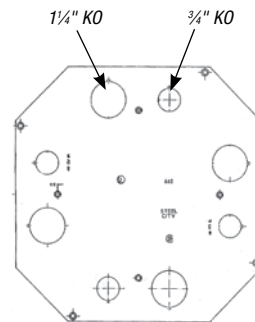
665 Series Floor Boxes: 665-SC



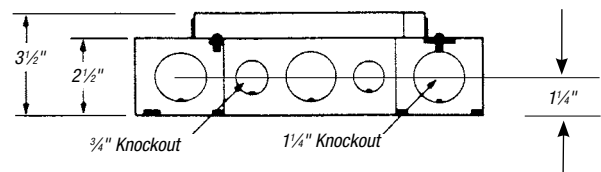
- Four (4) device compartments can accommodate any combination of devices. For example: (3) duplex power devices and (1) duplex telephone device, or (2) voice and data connectors and (1) GFCI device and (1) blank, etc.
- Overall height of 3½" allows for shallow pours when needed
- High-strength polycarbonate cover with a 5/32" steel plate assures structural integrity
- Metallic Covers also available in solid brass and aluminum
- Four-side feed-through allows installer to feed through power or data/comm service from any orientation
- Non-metallic wire tunnels aesthetically clean. Full-width tunnel provides maximum feed-through capacity; non-metallic material prevents conductor damage
- Total access area of 126 cu. in. allows for friendly installation of workstation cables
- Contains 28 knockouts (16–1¼" and 12¾" KOs) that provide increased flexibility when installed
- The 665 line is an extension of the industry-leading 664 Series; our concealed service line now allows the customer to install up to four device panels in one box
- Through the use of a unique non-metallic wire tunnel, the installer can easily partition the power, voice/data requirements
- This UL Listed, stamped-steel floor box can be installed with Thomas & Betts voice and data connector products
- Four 2½" levelling screws provided with all boxes
- Device panels ordered separately



Top View



Bottom Plate



CAT. NO.	DESCRIPTION	DEVICE COMPARTMENTS (IN.)				DEVICE ACCESS AREA	STD. CTN.
		LENGTH	WIDTH	HEIGHT	AREA		
665-SC	Stamped Steel Box	5¾	2¾	2½	40 cu. in.	126 cu. in.	1

665-SC floor box does not include device plates or covers. Order separately (see page A-135).

Material: Pre-Galvanized Steel.

For communication accessories, see page A-140.