



### Suggested Specifications for Non-Metallic Sheathed Cable Fittings

- Where non-metallic sheathed cable or flexible cord terminates into a threaded or threadless opening, terminating fittings used shall be approved for the purpose by nationally recognized laboratory, inspection agency or product evaluation organization.
- Terminating fittings shall be of malleable iron, steel or thermoplastic construction designed to provide adequate strain relief and positively prevent damage to jacket or conductor insulation such as series 3300 or 3302M manufactured by Thomas & Betts.

Ferrous metal fittings shall be electro zinc plated inside/outside including threads and bushed with a nylon insulated throat.

Thermoplastic material used for connector construction shall be of high impact strength suitable for 105° C/221° F service with a UL flammability rating of 94V-1.

- Where non-metallic sheathed cable passes through either factory or field punched, cut or drilled holes in metallic members, the cable shall be protected by thermoplastic bushing such as series 3210 manufactured by Thomas & Betts. Bushing shall be firmly secured in opening. Nylon bushed metallic fittings such as Thomas & Betts series 1942 may be substituted as required.

**Series 3300**  
Non-Metallic Sheathed  
Cable and Flexible Cord  
Connectors (All Plastic)



T&B® Fittings



**Series 3302M**  
Non-Metallic Sheathed Cable and  
Flexible Cord Connectors (Steel)



**Series 3210**  
Knockout Bushings



**Series 1942**  
Insulated Nipples

### Non-Metallic Sheathed Cable and Flexible Cord Connectors (All Plastic)

#### Application

- To connect non-metallic sheathed cable and flexible cord to a box or an enclosure

#### Features

- Design provides strain relief by partially deflecting cable (A); therefore:
  - Connector will not damage outer covering or jacket of cable, or conductor insulation; designed to give safe trouble free installation
  - Holding power and cable strain relief are not affected by surface finish of outer covering or cable jacket
  - Connector provides superior holding power far in excess of listing agency requirements
- Snap-in one piece design; accommodates variation in knockout dimensions, saves installation time (B).
- All high-impact thermoplastic construction provides:
  - Insulated throat; conductors are protected from abrasion
  - Improved dielectric strength, and eliminates potential shorts
  - Corrosion resistance
- Wide range — reduces inventories
- Connector may be pre-installed in box K.O. or on cable

#### Standard Material

All high-impact polycarbonate — UL Class 94V-1 suitable for 105° C application

#### Standard Finish

As molded

#### Listings/Compliances

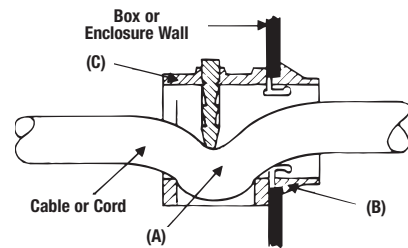
UL (UL File No: E-23017)  
 CSA (Cat. #3201, 3350) for factory installation (LR-589, LR-2884)  
 UL 514B  
 CSA C22.2 #18 (Where applicable)  
 ANSI C33.84, NFPA 70

#### Range

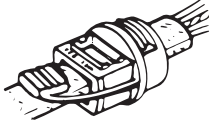
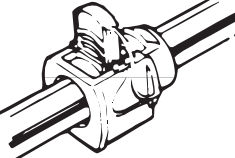
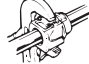

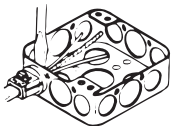
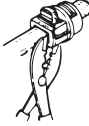
CAT. NO.	CABLE/ KNOCKOUT SIZE	CORD RANGE
3300	½"	10-2, 12-2 & 14-2 type NM Cable; .125" to .300" outside diameter cord
3201 & 3350	½"	10-3, 12-3, 14-3, 10-2, 12-2, 14-2 Type NM Cable; also multiple (2) 12-2 and 14-2 Type NM Cable; .300" to .600" outside diameter cord
3202	¾"	8-3 and 6-3 type NM cables; also Multiple (2) 14-3 and 10-2 Type NM Cable; .500" to .850" outside diameter cord



3300 Series



#### Typical Installation

 <p>1. Remove sheath from end of cable (4" or more as required). Insert cable through connector as shown (Cable under button).</p>	 <p>2. Insert button into cavity.</p>	 <p>3. With grooved pliers, or parallel jaw type pliers (commercially available) squeeze button into cord or wires as far into connector body as possible.  <b>NOTE:</b> It may be necessary to re-adjust pliers to ensure button is properly installed.</p>
 <p>4. Snap connector into knockout box. If desired, this step can be done prior to Step 1.</p>	 <p>5. To remove from knockout box depress ears.</p>	 <p>6. To remove from cable cut connector as shown.</p>