



TECHBRITE™

Saving energy in the best possible LIGHT

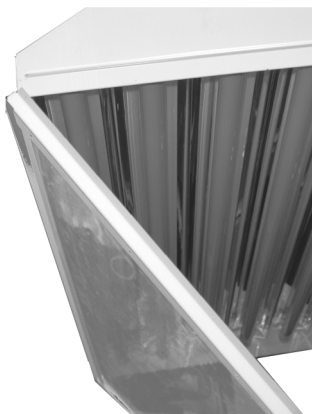
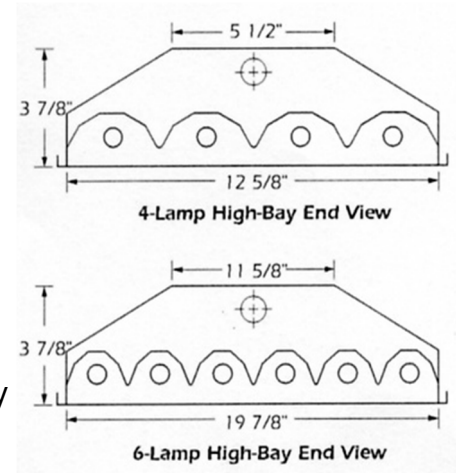
BayBrite Hi-Bay

Applications

- Ideal replacements for traditional HID fixtures
- Warehouse
- Storage Facilities
- Manufacturing
- Task Lighting
- Automotive Repair Garages
- 347-480 V Ballast Available

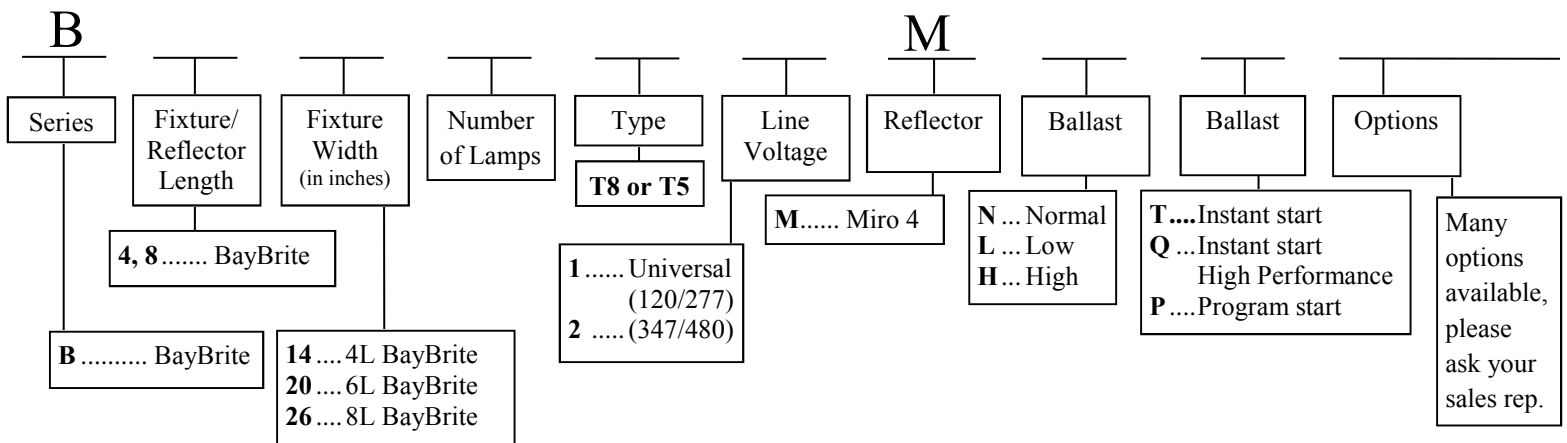
Features

- Swing away reflector assembly for simple ballast access
- Fully enclosed fixture
- Heavy gauge construction
- Convenient knockouts for mounting and electrical supply
- T5 or T8
- UL Certified
- Standard Miro® 4 Reflector— Total luminance reflectance of 92% White/ 95% Miro® 4.
- Ballast Power Factor >98% — Low THD <10%
- Fixture > 90% efficiency
- T5 Fixture Input Watts PSH (4L—241; 6L—362)
- T8 Fixture Input Watts ISH (4L—144; 6L—222)



Door and Lens Option Shown Here

Smooth Clear Acrylic .080 thick lens



1000 Kieley Place., Cincinnati OH 45217

513-772-5070 office

513-252-0590 fax

www.techbrite.com

*Input wattage calculated using ballast manufacturer data in an open-air lamp application.

*Actual fixture wattage may vary based upon a variety of factors including: ballast factor; lamp wattage; input line voltage; ballast manufacturer; and/or environmental temperature.