



Advantages of TOSIBOX®



Simple

Build and manage secure OT infrastructure in minutes



Secure

Tested & audited security



Modular

Unlimited expandability and flexibility



Timeless

Deals with legacy and future systems



Unique

Globally patented point-to-point connection

TOSIBOX® 675

High performance Plug & Go™ connectivity device

TOSIBOX® 675 is a powerful device for high demanding application in demanding industrial environments. With a wide range of connectivity interfaces the demand for always on connectivity is guaranteed. This device can be used in power-hungry industrial applications where speed and robustness are at the heart of the solution.

The versatile connectivity options, utilized in conjunction with leading edge Cyber security technology from TOSIBOX® enable diverse application scenarios. The durable aluminium alloy shell and small form factor is ideal for rugged mounting conditions. Extended IP30 Rating and operating temperature provides installation and use in demanding environmental conditions.

Tosibox 600 series contains devices for all connectivity scenarios and meets the most demanding operating conditions. The node is compatible with all existing TOSIBOX® products.

Main features

High performance

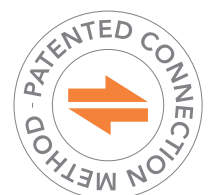
- Massive VPN throughput for data consuming applications, end-to-end encryption between TOSIBOX® devices, users and servers

Reliability

- Integrated WiFi as connectivity method or access point for wireless devices on site
- Built-in LTE modem with cellular speeds up to 300Mbps
- Dual-SIM slots for operator redundancy allows for even more reliable connectivity
- TosiOnline™ automatic reconnection of dropped connections

Industrial design

- Robust and fanless enclosure, DIN rail attachment
- Extended IP30 rating
- Operating temperature -40 °C ... +75 °C / -40 °F ... +167 °F



CE IC



TOSIBOX[®] 675 Technical Data

Product codes: TBL675US, TBL675EU, TBL675UK, TBL675AU

Ports

- 1 x RJ-45 WAN connection, 10/100/1000 Mb/s, auto-negotiation (MDI / MDI-X)
- 3 x RJ-45 LAN connection, 10/100/1000 Mb/s, auto-negotiation (MDI / MDI-X)
- 1 x USB 2.0, type A

Connections

- 4 pin industrial DC power socket
- 9-50V DC, reverse polarity protection, voltage surge/transient protection
- 2 x RP-SMA for WiFi
- 2 x SMA for LTE
- 1 x GNSS
- DIN rail mounting slot in the back and on both sides
- Maximum power consumption 16W

Connection features

- 4-way WAN priority
- Proxy server support
- WAN access with static addressing or DHCP
- Network Time Protocol (NTP) server
- Automatic LAN network discovery
- LAN access with mixed static addressing and DHCP server
- Static routes
- GNSS coordinates display on UI via GPS, GLONASS, BeiDou, Galileo and QZSS
- Works in all Internet connections (operator independent)
- Firewall friendly
- Works with dynamic, static and private IP addresses
- Built-in firewall, NAT
- Up to 50 concurrent VPN connections
- VPN throughput up to 70 Mbit/s
- TosiOnline™ Automatic network recovery that recovers from most mobile operator and modem problems

4G Module

TBL675US

- Region: North America and Mexico
- LTE Cat-6
- Up to 300 Mbps DL, 42 Mbps UL
- Dual SIM

Frequency Bands

- LTE FDD: B2, B4, B5, B7, B12, B13, B25, B26, B291, B30, B66
- WCDMA: B2, B4, B5

TBL675EU TBL675UK, TBL675AU

- Region: EMEA/APAC/Brazil (excluding Japan)
- LTE Cat-6
- Up to 300 Mbps DL, 42 Mbps UL
- Dual SIM

Frequency Bands

- LTE FDD: B1, B3, B5, B7, B8, B20, B28, B32
- LTE TDD: B38, B40, B41
- WCDMA: B1, B3, B5, B8

WLAN

- IEEE 802.11 b/g/n, 2.4 GHz, max. 150 Mbps
- Encryptions WEP, WPA-PSK, WPA2-PSK, WPA-PSK/WPA2-PSK mixed mode
- Frequency 2.412 - 2.462 GHz, 11 channels
- Access point or client mode
- Output power 20 dBm max

I/O specifications

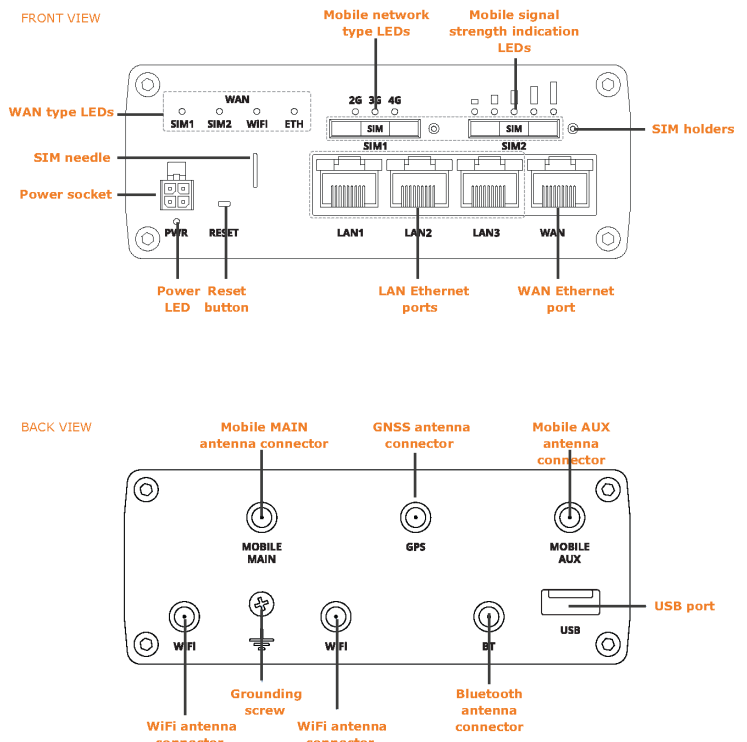
- 1 x Digital input, 0 - 6 V detected as logic low, 8 - 30 V detected as logic high
- 1 x Digital output, open collector output, max output 30 V, 300 mA
- Software configurable I/O state
- Requires separate I/O cable (TB600PAC1 or TB600PAC2)

Included accessories

- Power supply unit
 - AC adapter - Input 100 - 240 V AC, frequency 50/60Hz 0.6A, Output 12.0 V, 1.5 A, max 18 W
- 2 x LTE antennas (swivel, SMA male)
- 2 x WiFi antennas (swivel, RP-SMA male)
- 1 x GNSS antenna (adhesive, SMA male, 3 m cable)
- *1 x Bluetooth antenna (*Not supported)
- DIN rail mount
- Ethernet cable (1.5 m)
- SIM Adapter kit

Physical properties

- 115 mm x 44.2 mm x 95.1 mm / 4.52" x 1.74" x 3.74" (W x H x L)
- Protection class IP30
- Weight 456 g / 1.00 lbs (net weight article)
- Operating temperature -40 °C ... +75 °C / -40 °F ... +167 °F



Tosibox Oy

sales@tosibox.com

support@tosibox.com

Sales, international, tel. +358 44 70 90 200

www.tosibox.com



TOSIBOX[®]