

GLOVES & SLEEVES

Rubber and SALCOR® Protective Equipment

Rubber insulating gloves are available in six ASTM defined voltage classes. Rubber insulating sleeves are available in Class 00 through 4. The chart below identifies the class, proof test voltage and maximum allowable exposure voltage.

For an 8.5 x 11 reprint of this chart, contact your local Salisbury representative.

Protective Rubber Equipment Labeling Chart for Salisbury Linemen's Natural Rubber and SALCOR® Rubber Protective Equipment					
Class Color	Proof Test Voltage AC / DC	Max. Use Voltage* AC / DC	Rubber Molded Products Label	Glove Label	Rubber Dipped Sleeve Label
00 Beige	2,500 / 10,000	500 / 750			
0 Red	5,000 / 20,000	1,000 / 1,500			
1 White	10,000 / 40,000	7,500 / 11,250			
2 Yellow	20,000 / 50,000	17,000 / 25,500			
3 Green	30,000 / 60,000	26,500 / 39,750			
4 Orange	40,000 / 70,000	36,000 / 54,000			

Insulating Gloves and Sleeves must have a color coded label to meet appropriate ASTM Specifications.
 * Max. Use Voltage when worn with leather protectors.

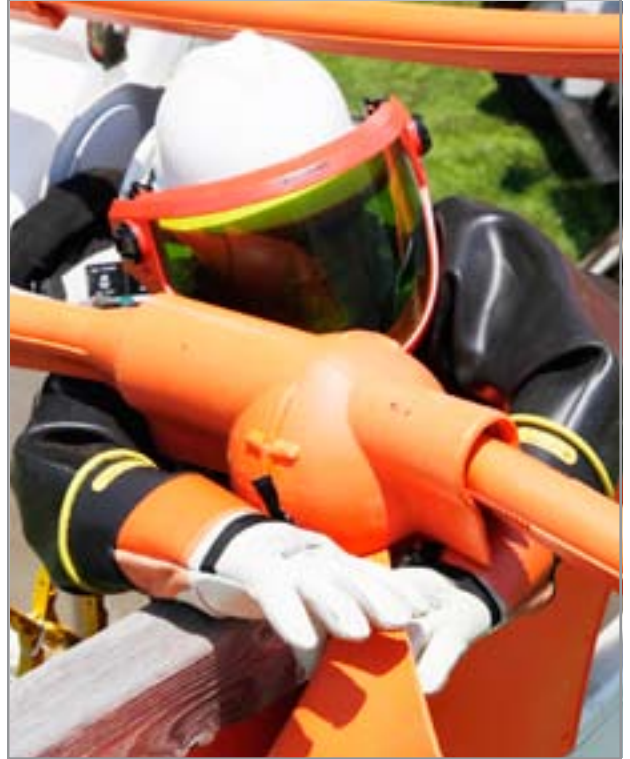
SALISBURY LINEMEN'S GLOVES

Manufactured for outstanding protection, comfort and long-life

Rubber insulating gloves are among the most important articles of personal protection for electrical workers. Incorporating high dielectric and physical strength, flexibility and durability, Salisbury rubber insulating gloves have earned the reputation for superior performance—meeting and exceeding the requirements of current ASTM D120 specifications and IEC EN60903 Standards.

Salisbury rubber insulating gloves are manufactured by dipping porcelain forms into a tank of liquefied rubber. The thin layer of rubber which results is allowed to dry and the process is repeated until the required thickness is reached. Depending on the voltage class of the glove, this dipping-drying-dipping cycle may need to be repeated over 30 times. After the desired thickness is achieved, the gloves are allowed to dry. Once dry, they are cut to length, the reinforcing bead is rolled, and the ASTM label and manufacturing information is applied along with any additional permanent marking that may be requested.

The gloves are cured in an autoclave under steam pressure and heat. After curing, the gloves are visually inspected. Gloves with visual imperfections are rejected. The gloves are then given a halogenation treatment (chlorination) to increase the comfort and wearability. The gloves are electrically tested following ASTM D120/IEC 903 specifications. Following the electrical test, the gloves are given a final visual inspection. The gloves are then ready to be boxed and shipped.



ARE YOU NOT SURE WHAT GLOVES YOU NEED?

Salisbury has made it easy with the Salisbury Glove Configurator™

Glove Configurator

Visit www.salisburybyhoneywell.com to use Salisbury's exclusive Glove Configurator™. This interactive web tool allows you to easily determine which Salisbury gloves you need to meet your requirements.



SALISBURY by Honeywell

MAKING A PROPER INSPECTION

OSHA 1910.137 states “Insulating equipment shall be inspected before each day’s use and immediately following any incident that can reasonably be suspected of having caused damage. Insulating gloves shall be given an air test, along with the inspection.” Salisbury’s New **G100** (Patent Pending), with **G100A adapter for Class 00 and 0** and smaller size gloves, and the **G99**, without additional adapter, are the perfect answer for inflating your gloves for inspection.

The **G99** is a simple, easy to use, portable glove inflator. The G99 provides a quality means of inspecting gloves in the field. The glove is secured to the inflator using a nylon strap and fastened with a hook and pile closure. Inflation is accomplished by pumping the bellows of the inflator against any surface. **NOTE: gloves should be expanded no more than 1.5 times their normal size for Type I, and 1.25 times normal for Type II SALCOR.**

SALISBURY ADVANTAGE

The **G100** is also a simple and easy to use, portable glove inflator. The G100 operates exactly like the G99, but includes an additional **G100A** adapter to also inspect Class 00 and 0 and smaller gloves. To use the adapter, the glove is secured to the G100A adapter using a nylon strap with a hook and pile closure. The adapter, with glove attached, is then placed on top of the inflator to be inflated for inspection.

INF Series Glove Inflators & Sleeve Expanders

Proper safety requires frequent inspection of gloves and sleeves. These glove inflators and sleeve expanders provide an efficient way to conduct complete and thorough visual inspections before and after use in the field. Easy to install. Simple to operate. Accommodates all sleeve and glove sizes. Minimum floor space. Compressed air source required.

Cat. No. Description

G99	Glove Inflator Kit
G99B	Replacement Bag
G99S	Replacement Strap
G99V	Replacement Check Valve
G100	Glove Inflator Kit w/ Adapter
G100A	Lo-Volt Glove Adapter
INF-1	Standard Bench Model Inflator with Hand Pump
INF-2	Standard Bench Model Inflator with Air-Line Connection
INF-3	Standard Floor Model
INF-4	Bench Model Air-Bag Inflator for High Voltage Gloves
INF-5	Bench Model Air-Bag Inflator for High and Low Voltage Gloves
INF-6	Standard Sleeve Expander
INF-7	Replacement Glove Inflator Boots for Air Bag Glove Inflators
INF-8	Replacement Bladders for Sleeve Expander (with closed ends) - Set of three
INF-9	Single Replacement Bladders for Sleeve Expander (with closed ends) - Outside Bladder only
INF-10	Hand Held Glove Inflator



G99



G100



G100A



G100 with inflated lo-volt glove ready for inspection.



INF-1



INF-6

SALISBURY LINEMEN'S GLOVES

LOW VOLTAGE - ASTM CLASS 00, 0



Measure the circumference around the palm.

Selecting the right size, length and style

Salisbury linemen's gloves are available in a full range of sizes, from 7 through 12, including half sizes on 8, 9, and 10. Proper fit is important. To determine glove size, measure the circumference around the palm. Allow for additional room if fabric glove liners are to be worn, especially with thermal liners.

SALISBURY ADVANTAGE

Type I and Type II gloves are extremely flexible to make working with small parts easy. The gloves meet or exceed ASTM D120 and IEC EN60903 Standards.

Class 00 and 0 gloves are available in 11 and 14 inch lengths. **Class 00 Electrical Insulating Rubber Gloves** are made from red or black Type I natural rubber, blue Type II SALCOR®, or in contrasting blue/orange Type II SALCOR. The contrast between the outer orange color against the inner blue color makes inspecting for cuts and tears easier when the glove is inflated or stretched.

Class 0 Electrical Insulating Rubber Gloves are available in red, black, yellow, and contrasting black/yellow colors in Type I Natural Rubber. The contrast between the outer yellow color against the inner black color makes inspecting for cuts and tears easier when the glove is inflated or stretched. These gloves are also available in blue or contrasting blue/orange colors Type II SALCOR rubber.



E011Y Gloves being manufactured.



E0011BL/9



E0014BLO/9



E011Y/10



E011R/9

Cat. No. Breakdown for Class 00 Gloves

Class	Length	Color	Size
E 00	11	R, B, BL, or BLO	7, 8, 8H 9, 9H
E 00	14	R, B, BL, or BLO	10, 10H 11, 12

R=red B=black Type I Natural Rubber

BL=blue BLO=blue in, orange out :Type II SALCOR

Example: E0011BL/8 **NOTE:** Size 11H no longer available.

Cat. No. Breakdown for Class 0 Gloves

Class	Length	Color	Size
E 0	11	Y, B, R, BL, BLO, or BY	7, 8, 8H 9, 9H
E 0	14	Y, B, R, BL, BLO, or BY	10, 10H 11, 12

R=red B=black Y=yellow:Type I Natural Rubber

BY=black in, yellow out:Type I Natural Rubber

BL=blue BLO=blue in, orange out :Type II SALCOR

Example: E014R/9 **NOTE:** Size 11H no longer available.

SALISBURY by Honeywell

SALISBURY LINEMEN'S GLOVES

HIGH VOLTAGE - ASTM CLASS 1, 2, 3, 4

Class 1 through 4 gloves are available in the industry standard color black, or in contrasting two-color combinations. The contrast between the thin outer color against the inner color makes inspecting for cuts and tears easier when the glove is inflated or stretched.

Class 1 through 4 gloves are available in 14, 16 and 18 inch lengths. A **straight cuff** is standard on 14" (356 mm), 16" (406 mm) & 18" (457 mm) gloves. The straight cuff is the default style.

A **contour cuff** is angled to prevent bunching or binding at the elbow when the arm is bent. Available on all 18" (457mm) gloves only.

The **bell cuff** accommodates heavier winter clothing and allows for greater air flow in warmer weather. These are available for Class 1 through 4 gloves. Bell cuff gloves are not available in sizes 7, 8 or 8H.



Cat. No. Breakdown for Class 1,2,3,4 Gloves

Class	Glove Length in.	Cuff Style	Color	Size
E 1	14, 16 or 18	BC***, C	B, YB or RB	7, 8, 8H
E 2	14, 16 or 18	BC***, C	B, YB or RB	9,9H
E 3*	14, 16 or 18	BC***, C	B, YB or RB	10, 10H
E 4**	14, 16 or 18	BC***, C	B, YB or RB	11, 12

BC***=bell cuff C=contour cuff (Contour cuff available for 18" only.)

*available in sizes 8 through 12 including half sizes only

**available in sizes 9 through 12 including half sizes only

***bell cuff gloves available in sizes 9 through 12 including half sizes

B=black YB=Y inside, B out RB=R inside, B out: Type I Natural Rubber

Example: E116BCYB/10

NOTE: Size 11H no longer available.

SALISBURY LINEMEN'S MITTENS

HIGH VOLTAGE - ASTM CLASS 1, 2, 3, 4

Salisbury Lineman's Mittens are made from the same durable, lightweight rubber as the five finger gloves yet keep the user warmer during harsh temperatures. The three finger mitten allows for precise hand movement as well.

Class 1 through 4 mittens are available in the industry standard black or in contrasting two-color combinations. The contrast between the thin outer color against the inner color makes inspecting for cuts and tears easier when the glove is inflated or stretched.

Class 1 through Class 2 mittens are available in 14, 16 and 18 inch lengths. Class 3 through Class 4 mittens are available in 16 and 18 inch lengths. A **bell cuff** design is standard on all mittens. BC= Bell Cuff.

Mittens are available in sizes 9, through 11 full sizes only.



EM216BCRB/10

Cat. No. Breakdown for Class 1,2,3,4 Gloves

	Class in.	Glove Length	Cuff Style	Color	Size
EM	1	14, 16 or 18	BC	B, YB or RB	9
EM	2	14, 16 or 18	BC	B, YB or RB	10
EM	3	16 or 18	BC	B, YB or RB	11
EM	4	16 or 18	BC	B, YB or RB	
Bell Cuff colors		B=black YB=Yellow inside, Black out RB=Red inside, Black out			

LEATHER PROTECTORS

Leather Protector Gloves should always be worn over Rubber Insulating Gloves to provide the needed mechanical protection against cuts, abrasions and punctures. All Salisbury protectors are steamed pressed on curved hand forms to insure proper fit over Rubber Gloves. Manufactured from top grade leather, all are sewn with heavy duty nylon thread in the “gunn cut” inseam construction pattern. Each protector for Class 1-4 gloves are equipped with a nonmetallic buckle on the pull strap and an extra wide leather reinforcement over the thumb seam. Protectors for Class 00 and 0 gloves are available with non-metallic buckle and pull strap or elastic wrist.

All Salisbury Leather Protectors meet ASTM F696 standards.

It is the responsibility of the purchaser to specify the overall length of the protector gloves. The Clearance Table shows the minimum distance which shall be allowed between the protector glove cuff and the bead of the rubber glove per ASTM F496 Specifications.



WARNING: Do not use leather protectors alone for protection against electric shock. Serious injury or death will result. Always use a properly rated insulating glove for the voltage being worked.

Proper care of leather protectors is essential to user safety. Inspect the leather protectors when inspecting rubber gloves. Metal particles, imbedded wire, abrasive materials or any substance that could physically damage the rubber gloves must be removed from the protector before use.



CLEARANCE TABLE FOR LEATHER PROTECTORS PER ASTM F496 - Table 4

Glove Class	Min. Distance Between Protectors and Rubber Gloves	
	in.	mm
00, 0	1/2	13
1	1	25
2	2	51
3	3	76
4	4	102

Adapted, with permission, from F496-08 Standard Specification for In-Service Care of Insulating Gloves and Sleeves, copyright ASTM International, 100 Barr Harbor Drive, West Conshohocken, PA 19428. A copy of the complete standard may be obtained from ASTM, www.astm.org.

Minimum Distance from Protector and Rubber Glove	Glove Class	Leather Protector Cuff
		----- Cuff Line -----
	00, 0	1/2" from cuff
	1	1" from cuff
	2	2" from cuff
	3	3" from cuff
	4	4" from cuff

PREMIUM LEATHER PROTECTORS

SALISBURY ADVANTAGE

156 Premium Series

Salisbury's SALCOR® cuff provides maximum protection.

These protectors are made from specially tanned Grade A Red Boulevard buffed leather and an orange colored SALCOR “Super Cuff” in the 4” (102 mm) and 6” (152 mm) cuff lengths. The “Super Cuff” has better characteristics than leather or vinyl cuffs; it does not absorb water, has greater track resistance, and creepage.



Cat. No.	Cuff Length in. (mm)	OAL Length in. (mm)	Weight ea. lbs. (kgs)
156-4	4 (102) Straight Cuff	12 (305)	1 (.5)
156-6	6 (152) Straight Cuff	14 (356)	1.2 (.5)

Available in dual sizes: 8/8.5, 9/9.5, 10/10.5, 11/11.5, 12



156-4



156-6

SALISBURY by Honeywell

LEATHER PROTECTORS

ILP Series

Manufactured from top grain cowhide, or goatskin, these protectors provide excellent protection for rubber insulating gloves at a very economical price. Cowhide cuffs are tough leather on palm side and orange vinyl on the back, while the goatskin cuffs are green leather on palm side and orange vinyl on back. Full complement of styles from low-volt through 16" contour cuff. Comes in size 7, dual sizes 8/8.5 through 11/11.5 and size 12.

ILPM Series Mitten Protector

Manufactured from top grain cowhide, these protectors offer excellent comfort and protection. The ILPM Series mitten protectors feature adjustable straps with non-metallic buckles and are stitched with polyester thread for strong seams. Cuffs are tough leather on palm side and orange vinyl on the back of the hand. Comes in sizes 9, 10 and 11.

LP Series

Manufactured from top grain cowhide or goatskin, these protectors offer excellent comfort and protection. The LP Series protectors feature adjustable straps with non-metallic buckles and are stitched with polyester thread for strong seams. Cuffs are tough leather on palm side and orange vinyl on the back of the hand. Comes in sizes 7 to 12, including half sizes 8 1/2 to 11 1/2.

Cat. No.	OAL Length in. (mm)	Weight ea. lbs. (kgs)
----------	--------------------------	----------------------------

ILP SERIES - COWHIDE

ILP3S*	12 (305)	1 (.5)
ILP4S*	13 (330)	1 (.5)
ILP5S*	14 (356)	1.2 (.5)
ILP6S* / **	15 (381)	1.2 (.5)
ILP7C* / **	16 (406)	1.5 (.7)
ILP10*	10 (254)	.7 (.32)
ILP10A* w/ pull strap	10 (254)	.7 (.32)

*To specify goatskin, use ILPG. Goatskin not available in size 7.
Available in dual sizes: 7, 8/8.5, 9/9.5, 10/10.5, 11/11.5, 12

** Not available in size 7.

ILPM SERIES - COWHIDE

ILPM3S	12 (305)	1 (.5)
ILPM4S	13 (330)	1 (.5)
ILPM5S	14 (356)	1.2 (.5)

Available in sizes: 9, 10, 11

LP SERIES

LP3S	12 (305)	1 (.5)
LP4S	13 (330)	1 (.5)
LP5S	14 (356)	1.2 (.5)
LP6S	15 (381)	1.2 (.5)
LP7C	16 (406)	1.5 (.7)
LP10	10 (254)	.7 (.32)
LP10A w/ pull strap	10 (254)	.7 (.32)

To specify goatskin, use LPG.

Available in single sizes: 8, 8.5, 9, 9.5, 10, 10.5, 11, 11.5, 12



ILPG10



ILPG10A



ILPM5S



ILP7C



LPG3S



LP7C



LPG5S

GLOVE STORAGE & GLOVES KITS

Proper storage extends the service life of linemen's gloves and sleeves.

Folds and creases strain rubber and cause it to crack from ozone prematurely. By storing rubber gloves in the right size bag, and never forcing more than one pair into each bag, equipment will lie flat and last longer.

Salisbury bags are constructed of heavy duty canvas duck and are double stitched and riveted at stress points for extra durability. Canvas bags feature a D ring for hanging in trucks or on work belts. Bags feature tapered gussets with wide opening tops for easy insertion.



Glove and Protector Combo Bags contain two layered pockets in one bag. Now, both a pair of gloves and protectors can be properly stored in one convenient bag. Never worry about having to bring more than one bag from job site job site.



GB116

GB116GC

Cat. No.	For Glove length in. (mm)	Dimensions inches (mm)	Weight ea. lbs. (kgs)
----------	-----------------------------	--------------------------	-------------------------

26 oz. CANVAS GLOVE BAGS

GB112	11 (280)	9" x 14" (229 x 356)	1 (.5)
GB114	14 (356)	9" x 16" (229 x 406)	1 (.5)
GB116	16 (406)	9" x 18" (229 x 457)	1.2 (.6)
GB118	18 (457)	9" x 20" (229 x 508)	1.5 (.7)

26 oz. CANVAS GLOVE BAGS w/ goggle case

GB114GC	14 (356)	9" x 16" (229 x 406)	1 (.5)
GB116GC	16 (406)	9" x 18" (229 x 457)	1.2 (.6)
GB118GC	18 (457)	9" x 20" (229 x 508)	1.5 (.7)

14.75 oz. CANVAS GLOVE & PROTECTOR BAGS

GPB112	12 (305)	9" x 14" (229 x 356)	1 (.5)
GPB114	14 (356)	9" x 16" (229 x 406)	1 (.5)
GPB116	16 (406)	9" x 18" (229 x 457)	1.2 (.6)
GPB118	18 (457)	9" x 20" (229 x 508)	1.5 (.7)

GLOVE & PROTECTOR COMBO BAGS

2C16	14 (356) 16 (406)	9" x 18" (229 x 457)	1.2 (.6)
2C18	18 (457)	9" x 20" (229 x 508)	1.5 (.7)

SALISBURY ADVANTAGE

Glove Kits

Salisbury's insulating rubber gloves are necessary for every electrical worker's complete safety. And to insure your safety, Salisbury's leather protectors provide needed protection from cuts, abrasions, and punctures. To keep these safety items in top condition, proper storage is very important.



GK011BL/9

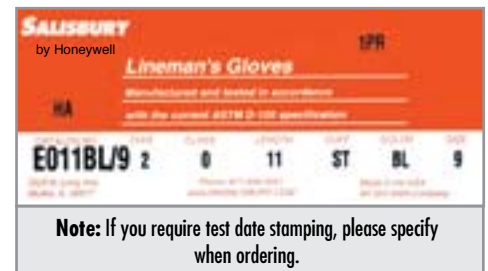
Product Numbering Chart for Glove Kits

Class	Length (inches)	Color	Size of Gloves (choose one below)
GK 00	11 or 14	B, R, BL	7, 8, 9, 10, 11, 12
GK 0	11 or 14	R, BL, B, Y	7, 8, 9, 10, 11, 12
GK 2	14, 16, or 18	B, RB	7, 8, 9, 10, 11, 12

Example: GK011BL/9

Type I Natural Rubber available in: R=Red, Y=Yellow, B=Black, RB=Red in, Black out

Type II SALCOR® Rubber available in: BL=Blue



LINEMEN'S SLEEVES

Rubber Insulating Sleeves extend coverage of the arm from the cuff of rubber insulating gloves to the shoulder— fully protecting these areas from accidental contact with energized conductors and equipment. Salisbury sleeves feature a reinforcing fold at the cuff. This fold is preferred over a rolled bead because it adds less bulk to the cuff and fits into the glove easier without pushing. Two different processes are used to manufacture insulating sleeves; dipping and molding. Both meet the current requirements of ASTM D1051 and offer the same high level of quality and protection.

Sizing

Sleeves should be selected to fit the arm comfortably, covering from the top of the shoulder to inside the top of the glove. Regular size sleeves are the shortest and have the smallest arm and wrist openings. To minimize the possibility of the sleeves pushing gloves off the hand, size the sleeve to the shortest length possible while maintaining complete coverage to the shoulder.



Sizing Linemen's Sleeves

STRAIGHT ARM SLEEVE- Figure 1

A in. (mm)	B in. (mm)	C in. (mm)	D in. (mm)
Small			
24.25 (616)	15.13 (384)	12.5 (317)	5.75 (146)
Regular			
26.25 (667)	15.5 (394)	11.25 (286)	5.5 (140)
Large			
28.5 (724)	17 (432)	12.87 (327)	6.87 (175)
Extra Large			
30 (762)	19 (483)	13.25 (337)	6.87 (175)

EXTRA CURVED ARM SLEEVE- Figure 2

A in. (mm)	B in. (mm)	C in. (mm)	D in. (mm)
Small			
24.25 (616)	15.13 (384)	12.5 (317)	5.75 (146)
Regular			
26.5 (673)	15.5 (394)	12.25 (311)	5.25 (140)
Large			
27.75 (705)	16 (406)	12.87 (327)	6.87 (175)
Extra Large			
29.5 (749)	17.5 (445)	12.87 (327)	7 (178)

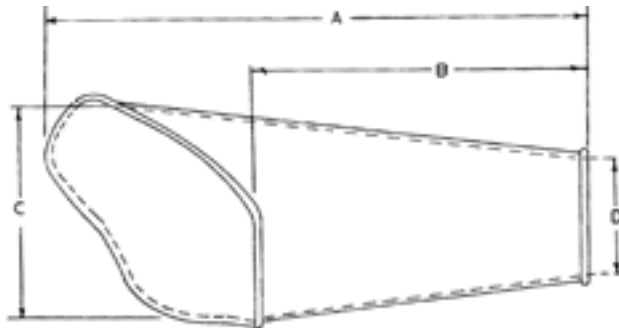


Figure 1

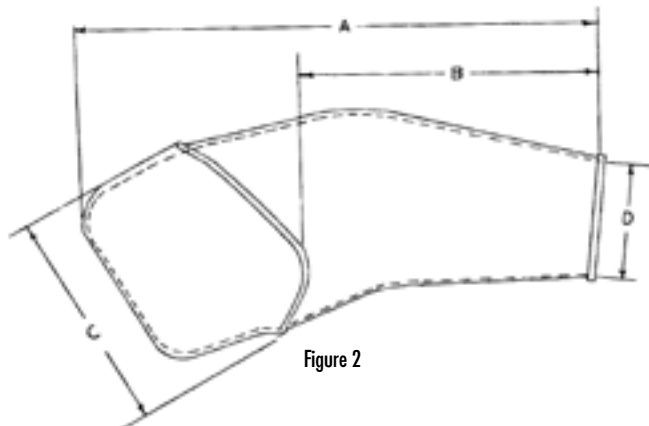


Figure 2

LINEMEN'S SLEEVES

DIPPED

SALISBURY ADVANTAGE

Dipped sleeves are manufactured in the same way as Salisbury rubber insulating gloves. Porcelain forms are dipped into liquefied rubber, dried, trimmed, marked and cured. Every sleeve receives the same quality inspections and electrical testing before shipping. Dipped sleeves are available in the same colors as dipped gloves, including two color combinations.

Salisbury is the only manufacturer that offers two popular styles of dipped lineman's sleeves: straight and extra-curved. Both styles are available in every color or color combination, size, and voltage class. Most importantly, all are made to the same rigid levels of quality demanded by Salisbury.

Only Salisbury offers both dipped and molded sleeves.



Extra-Curved Arm
D2LYR-EC



Straight Arm
D2RYB-ST

Cat. No. Breakdown for Dipped Type I Sleeves

Voltage Class	Size	Color
D0	S, R, L or XL	Y=yellow
D1	S, R, L or XL	B=black
D2	S, R, L or XL	YB=Y inside, B out
D3	S, R, L or XL	RB=R inside, B out
D4	S, R, L or XL	YR=Y inside, R out

S=small, R=regular, L=large

XL=extra large

Example: D2LYB-ST

Add suffix "-ST" to order straight cuff or "-EC" to order extra-curved cuff

LINEMEN'S SLEEVES

MOLDED

Molded sleeves are manufactured by either injection or compression molding methods. The advantage these methods offer is the ability to produce sleeves of Type I or SALCOR® Type II synthetic rubber. SALCOR sleeves provide the same high quality and electrical protection as natural rubber, with the added benefit of being resistant to ozone and ultraviolet radiation. Type I sleeves are available in black, yellow or maroon. Type II SALCOR sleeves are black or orange. Molded sleeves are available in curved arm style only.



Black
Type I
2RB



Yellow
Type I
3LY



Orange
Type II
2ROS

Cat. No. Breakdown for Molded Type I Sleeves

Voltage Class	Size	Color
1	R or L	Y
2	R, L or XL	B, Y, M
3	R or L	Y, M
4	R or L	M
R=regular L=large XL=extra large		B=black Y=yellow
Example: 2LB		M=maroon

Cat. No. Breakdown for Molded Type II Sleeves

Voltage Class	Size	Color
1	R or L	BS or OS
2	R, L or XL	BS or OS
R=regular L=large XL=extra large		BS=black SALCOR
Example: 2LOS		OS=orange SALCOR

SLEEVE STORAGE & ACCESSORIES

Proper storage extends the service life of linemen's sleeves. Folds and creases strain rubber and cause it to crack from ozone prematurely. By storing rubber sleeves in the right size bag, and never forcing more than one pair into each bag, equipment will lie flat and extend the life of the product.

Salisbury bags are constructed of heavy duty canvas duck and are double stitched and riveted at stress points for extra durability. Canvas bags feature a D ring for hanging in trucks or on work belts. Bags feature tapered gussets with wide opening tops for easy insertion.

SALISBURY ADVANTAGE

The **T32** bag contains a **crush resistant** lining to create a more protective environment for your sleeves.

Sleeve buttons, straps, and harnesses are required to wear rubber insulating sleeves properly. Four buttons are required per pair of sleeves. Two straps are required per pair of sleeves. One harness is required per pair of sleeves.



Cat. No.	For Sleeve length in. (mm)	Dimensions inches (mm)	Weight ea. lbs. (kgs)
----------	------------------------------	--------------------------	-------------------------

CANVAS SLEEVE BAG

T31	–	30" x 9.5" (762 x 241mm)	1.5 (.7)
T32	–	30" x 13" (762 x 330 mm)	3 (1.4)

BUTTONS

B2	–	One Piece Sleeve Button	.2 (.01)
B22	–	4 Screw Type Buttons	.8 (.04)

STRAPS

S1	15"(381mm)	Strap w/ 4 B2 Buttons	.1 (.005)
----	------------	-----------------------	-------------

HARNESS

H1		Harness w/ 4 B2 Buttons	1 (.45)
----	--	-------------------------	-----------



B22 Two-piece sleeve button
4 required per pair of sleeves

B2 One piece sleeve button
4 required per pair of sleeves



S1



H1

SALISBURY by Honeywell

SALISBURY LINEMEN'S GLOVE LINERS

Liner Gloves enhance the comfort of wearing Rubber Insulating Gloves in every season. Liners provide warmth in the cold season and absorb perspiration in the warm months. Many styles and fabrics are available with either an open or knit wrist.

The knit wrist style grips the wrist rather than allowing the cuff to roll down and bunch at the palm. All Liner Gloves are for year round use with Rubber Insulating Gloves and Mittens. All liners are made from stretch fabric that can fit any hand size.

The **L Series** has a tough outer cotton fabric while the inner lining is soft and comfortable. The **LMKC Series** is light, airy and allows ease of movement. The **LMKW Series** is made from a wool blend fabric that moves easily yet gives a substantial layer of lining.

The **89 Series** is Salisbury's classic summer and winter glove liner. Liners absorb perspiration from hands. The summer liner is white in color and 100% cotton. The winter blend is a rust color and 100% acrylic.



Cat. No.	Description	Wrist Style	Length in. (mm)	Weight ea. lbs. (kgs)
L10JK	Jersey Style, Light Weight, Seams Out	Knit	10 (254)	.14 (.06)
L10J	Jersey Style, Light Weight, Seams Out	Open	10 (254)	.12 (.06)
L12J	Jersey Style, Light Weight, Seams Out	Open	12 (305)	.14 (.07)
L10MKC	Machine Knit, 100% Cotton	Knit	10 (254)	.12 (.05)
L12MKC	Machine Knit, 100% Cotton	Knit	12 (305)	.12 (.05)
L10MKW	Machine Knit, Wool Blend	Knit	10 (254)	.14 (.06)
L12MKW	Machine Knit, Wool Blend	Knit	12 (305)	.14 (.07)
89/1402	White Machine Knit, 100% Cotton	Knit	10 (254)	.12 (.06)
89/4702	Rust Machine Knit, 100% Acrylic	Knit	10 (254)	.12 (.06)

One size fits all.

SALPOL & WORK GLOVES

Salisbury's **SALPOL Gloves** protect hands during cold weather jobs. The black split cowhide leather has a 3M Thinsulate* lining to keep hands warm. For extra warmth a long knit wrist is sewn into the safety cuff to keep out snow and ice. The glove also has a full leather index finger, knuckle strap, leather fingertips, and pull patch.

*Thinsulate is a registered Trademark of the 3M Company.

Drivers Work Gloves set the standard for quality at an affordable price. Combining comfort, durability and economy, Salisbury leather Drivers Work Gloves meet the tough challenges of today's demanding workplace. Available in lined or unlined styles. The bindings are color coded to indicate size: red-small, green-medium, brown-large, purple-extra large.

Linemen Work Gloves are designed specifically for use by linemen and offers many of the quality features found in our leather protectors. Made from high quality grain cowhide or goatskin, this glove is soft and flexible, while still being highly abrasion and cut resistant for long wear.



SP-L



195/217/WHS



LW2SPE

SALPOL GLOVES

Cat. No.	Description	Length in. (mm)	Weight ea. lbs. (kgs)
SALPOL GLOVES			
SP-S	Small Size Polar Glove	n / a	.5 (.23)
SP-L	Large Size Polar Glove	n / a	.5 (.23)

DRIVERS & LINEMEN WORK GLOVES

Cat. No.	Description	Weight ea. lbs. (kgs)
195/217/WHS*	Unlined	.3 (.14)
195/317/WHS*	Lined	.3 (.14)
*Add "-S" for small, "-M" for medium, "-L" for large, "-XL" for extra-large.		
LW2SPE**	Cowhide leather, natural pigskin cuff	.4 (.18)
LWG2SPE**	Goatskin leather, natural pigskin cuff	.4 (.18)
**Add "-M" for medium, "-L" for large, "-XL" for extra-large.		

CLEANERS, SUNSCREEN AND SUPPLIES



RUB-OUT® is a non-petroleum-based hand cleaner for workers who wear rubber gloves and sleeves. Dissolves and removes grease, oil, ink, tar, pipe dope, creosote, paint and more without harming natural rubber or SALCOR® rubber. Cleans with or without water. Contains natural skin conditioners and leaves a fresh citrus scent.

Salisbury's **RUB-OUT® Towelettes** are premoistened heavy duty hand cleaner towels that work fast to loosen, dissolve, and absorb dirt and grease, and will not harm rubber gloves! Our powerful yet safe cleaning agents work together with an absorbent, nonscratching abrasive cleaning towel. The citrus-based formula easily removes soil from your hands and leaves them cleaned and conditioned anywhere you're working. *And after cleaning your hands there is enough absorbency to clean your tools and other surfaces with the same towel.* These shop size (10.5" x 12.25") durable towels quickly remove tough-to-clean substances including lubricants, tar, oils, wax, caulk and much more.

TEN-FOUR® GLOVE DUST is a cooling, frictionless powder that absorbs moisture and perspiration when wearing rubber gloves. Provides extra comfort while preventing gloves from getting sticky. The 5-oz. bottle easily fits in a pocket or glove bag. The 4-quart bulk package is used in test labs as a dusting powder when cleaning and testing.

SUPER SALCO® Cleaner is a concentrated detergent with a special grease release formula that removes oils, grease and dirt from natural rubber and SALCOR rubber equipment. Suitable for washing linemen's rubber gloves, sleeves and other specialty equipment, by hand or in commercial washing machines. Also works well on fiberglass and other materials. Just dilute with water, apply with a rag or sponge and rinse thoroughly.

Cat. No.	Description	Weight ea. lbs. (kgs)
RUB-OUT® HAND CLEANER		
1451	16 oz. (.45kg) can, 12/pack	16 (7.3)
1452	4.5 lbs. (2kgs) cans, 6/pack	28 (12.7)
1453	Dispenser for 4.5lb. (2kg) can	1 (.5)
RUB-OUT® TOWELETTES		
1460	Bucket of 60, 6 buckets / Case	14 (6.4)
1461	Single Packets, 100 Singles / Case	3 (1.4)
TEN-FOUR® GLOVE DUST		
10-4	12 @ 5 oz. (170g) squeeze bottles	5.5(2.2)
10-4-QT4	quarts (3.8 ltrs.) bulk, single	8 (3.6)
SUPER SALCO® DETERGENT		
S4	1 gal (3.8 ltr.) jugs, 4 pack	54(24.5)
S5	5 gal (19 ltr.) drum	49 (22.3)
S55	55 gal (208 ltr.) drum	540 (245)
SALCON® SILICONE SPRAY		
S99	Aerosol can	16 oz. (.454)
SUNSCREEN 30		
SS30	100 towelettes	6 (2.72)

SALCON® Silicone Spray is specially formulated to reduce friction on SALCOR or natural rubber products. Reduces surface creepage on rubber gloves and sleeves. Forms an oxygen barrier which helps reduce corona cutting and weather checking on rubber equipment. May also be used to spray spark plugs and battery terminals in damp weather to assist in starting.

SUNSCREEN 30 is a non-oily sunscreen that does the job for at least four hours. Safe for leather and rubber gloves, leaves no residue—no slippery hands. Large convenient towelettes.