

ULTRA LED™ Reflector Lamps



Rated up to 15,000 hours at 70% lumen maintenance, the SYLVANIA ULTRA LED bulbous reflector lamp offer years of service and reduce energy and maintenance costs. SYLVANIA LED lamps are environmentally preferred products. They are RoHS compliant, contain no mercury, lead or other hazardous materials. They emit no UV or IR radiation that can cause fading and discoloration of fabric or artwork. The 80+ CRI ensures greater color definition and can be used in many applications, both homes and businesses. These lamps are offered in 2700K, 3000K and 5000K color temperatures.

Key Features & Benefits

- Dimmable down to 10%*
- Available in 2700K, 3000K and 5000K color temperatures
- Long life up to 15,000 hours (L₇₀)
- UV and IR free
- Mercury and lead free
- RoHS compliant
- Energy savings up to 90%

* Performance may vary depending on dimmer used in application. Please refer to Dimmer Compatibility List (RETRO-DIM) for a list of compatible dimmers or visit www.SYLVANIA.com/LED Retrofit



Product Offering

Ordering Abbreviation	Wattage	Color Temperature
LEDR20	6	2700K, 3000K, 5000K
LEDBR30	8.5	2700K, 3000K, 5000K
LEDBR40	13	2700K, 3000K, 5000K

Application Information

Applications

- General lighting
- Recessed downlights
- Track lighting
- Wall washers

Market Segments

- Art galleries
- Hospitality
- Museums
- Offices
- Residential
- Restaurants
- Retail

Application Notes

1. Only install in operating temperature -4°F to +104°F (-20°C to +40°C).
2. This device is not intended for use with emergency exits.
3. Not for use in totally enclosed fixtures.
4. Suitable for damp locations. Not for use where directly exposed to water.

This device complies with part 15 of the FCC Rules. Operation is subject to the following two conditions: (1) This device may not cause harmful interference, and (2) this device must accept any interference received, including interference that may cause undesired operation. For FCC Part 15 user information, please see www.sylvania.com/fcc15b



Specification Data

Catalog #	Type
Project	
Comments	
Prepared by	

Ordering Information

Item Number	Ordering Abbreviation	Wattage (W)	Base Type	Replaces	Input Voltage (V)	Average Rated Life (hrs.)	CCT	Typical Lumens (lm)	CRI	Power Factor	ENERGY STAR®
74756	LED6R20DIM827G4B	6	Medium	50W	120V	15,000	2700K	450	80	0.9	Yes
74784	LED6R20DIM830G4B	6	Medium	50W	120V	15,000	3000K	450	80	0.9	Yes
74757	LED6R20DIM850G4B	6	Medium	50W	120V	15,000	5000K	450	80	0.9	Yes
74758	LED8.5BR30DIM827G4B	8.5	Medium	65W	120V	15,000	2700K	650	80	0.9	Yes
74785	LED8.5BR30DIM830G4B	8.5	Medium	65W	120V	15,000	3000K	650	80	0.9	Yes
74759	LED8.5BR30DIM850G4B	8.5	Medium	65W	120V	15,000	5000K	650	80	0.9	Yes
74786	LED13BR40DIM827G4B	13	Medium	85W	120V	15,000	2700K	1100	80	0.9	Yes
74787	LED13BR40DIM830G4B	13	Medium	85W	120V	15,000	3000K	1100	80	0.9	Yes
74788	LED13BR40DIM850G4B	13	Medium	85W	120V	15,000	5000K	1100	80	0.9	Yes

Ordering Guide

LED	XX	BR30	/	DIM	/	8	27
LED Lamps	Wattage: 6, 8.5, 13	Lamp Type: R20 BR30 BR40		Dimmable		CRI=80+	Color Temperature 2700K 3000K 5000K

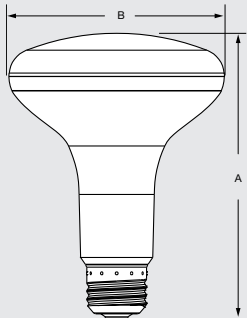
Energy Savings

Basic Product Description	LED Life (hrs.)	Similar Incandescent	Incandescent Life (hrs.)	Incandescent Lumens	Watts Saved	Energy Savings*	LED Life vs. Incandescent
LED6R20	15,000	45R20	2,000	330	39	\$64.35	7.5x
LED8.5BR30	15,000	65BR30	2,000	700	56.5	\$93.23	7.5x
LED13BR40	15,000	85BR40	2,000	1065	72	\$118.80	7.5x

*Energy savings over life of lamp calculated at \$0.11/kWh

Lamp Dimensions

	(A) MOL (inches)	(B) Diameter (inches)
LED R20	3.75	2.63
LED BR30	5.00	3.74
LED BR40	6.25	4.88



LEDVANCE LLC
 200 Ballardvale Street
 Wilmington, MA 01887 USA
 Phone 1-800-LIGHTBULB (1-800-544-4828)
www.sylvania.com

SYLVANIA and LEDVANCE are registered trademarks.
 All other trademarks are those of their respective owners.
 Licensee of product trademark SYLVANIA in general lighting.
 Specifications subject to change without notice.

[/sylvania](https://twitter.com/sylvania) [/sylvania](https://facebook.com/sylvania)

