

ULTRA LED™ HD Reflector Lamps



Key Features & Benefits

- Voluntary California Quality Light-Emitting Diode (LED) Lamp Specification 3.0, Tier II and JA8 Certified
- ENERGY STAR v2.1
- Indoor/Outdoor Damp rated
- Available in 2700K and 5000K color temperatures
- 90+ CRI
- Dimmable down to 10%
- 25,000 hours rated life (L₇₀)



SYLVANIA ULTRA LED HD reflector lamps are high performing bulbs that are ideal for ambient or general lighting applications in both residential and commercial applications.

The 50/65/85W replacement lamps are available in 2700K and 5000K color temperatures and deliver excellent 90+ color rendering for crisp and vibrant color to meet California Quality Specifications.

These CEC lamps also meet ENERGY STAR® v 2.1 requirements.

Product Offering

Ordering Abbreviation	Wattage	Color Temperature	Typical Lumens
LED6R20	6	2700K, 5000K	540
LED7.5BR30	7.5	2700K, 5000K	675
LED11BR40	11	2700K, 5000K	1075

Application Information

Applications

- Downlights
- Pendant fixtures
- Table lamps
- Wall sconces

Market Segments

- Hospitality
- Office
- Residential
- Retail

Application Notes

1. Operating temperature range between -20°C and +40°C (-4°F and + 104°F)
2. Not for use with emergency light fixtures or exit lights
3. Not suitable for use in totally enclosed fixtures



Specification Data

Catalog #	Type
Project	
Comments	
Prepared by	

Ordering Information

Item Number	Ordering Abbreviation	Wattage (W)	Typical Lumens (lm)	Replaces	Input Voltage (V)	CCT	CRI	Average Rated Life (hrs.)	Finish	ENERGY STAR®
40025	LED6R20/DIM/927/RP	6	540	50W	120	2700K	90	25,000	Frosted	Yes
40026	LED6R20/DIM/950/RP	6	540	50W	120	5000K	90	25,000	Frosted	Yes
40027	LED7.5BR30/DIM/927/RP	7.5	675	65W	120	2700K	90	25,000	Frosted	Yes
40028	LED7.5BR30/DIM/950/RP	7.5	675	65W	120	5000K	90	25,000	Frosted	Yes
40029	LED11BR40/DIM/927/RP	11	1075	85W	120	2700K	90	25,000	Frosted	Yes
40030	LED11BR40/DIM/950/RP	11	1075	85W	120	5000K	90	25,000	Frosted	Yes

Ordering Guide

LED	6	R20	/	DIM	/	9	27	/	RP
LED	Wattage	Lamp Type		Dimmable		CRI	CCT		Retail Pack

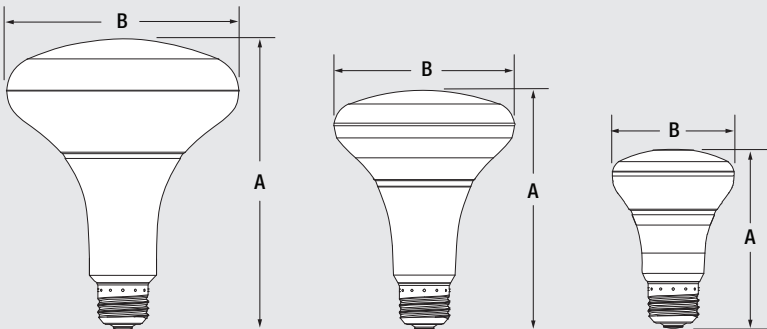
Energy Savings

Basic Product Description	LED Life (hrs.)	LED Lumens	Similar Incandescent	Incandescent Life (hrs.)	Incandescent Lumens	Watts Saved	Energy Savings*	LED Life vs. Incandescent
LED6R20	25,000	540	50WR20	2,000	420	44	\$121	12x
LED7.5BR30	25,000	675	65WBR30	2,000	700	57.5	\$158	12x
LED11BR40	25,000	1075	75WBR40	2,000	1075	64	\$176	12x

*Energy savings over life of lamp calculated at \$0.11/kWh

Lamp Dimensions

	(A) MOL inches (mm)	(B) Diameter inches (mm)
R20	3.74 (95)	2.51 (64)
BR30	5 (127)	3.74 (95)
BR40	6.06 (154)	4.8 (122)



LEDVANCE LLC
 200 Ballardvale Street
 Wilmington, MA 01887 USA
 Phone 1-800-LIGHTBULB (1-800-544-4828)
www.sylvania.com

SYLVANIA and LEDVANCE are registered trademarks.
 All other trademarks are those of their respective owners.
 Licensee of product trademark SYLVANIA in general lighting.
 Specifications subject to change without notice.

[/sylvania](https://twitter.com/sylvania) [/sylvania](https://facebook.com/sylvania)

