

# ULTRA HD LED A-line Lamps

Omnidirectional



SYLVANIA ULTRA HD LED A-line lamps are high performing bulbs that are ideal for ambient or general lighting applications in both residential and commercial applications.

The 40/60/75/100W replacement lamps are available in 2700K, 3000K, and 5000K color temperatures and deliver excellent 92+ color rendering for crisp and vibrant color to meet California Quality Specifications.

These CEC lamps also meet ENERGY STAR® v 2.1 requirements for omnidirectional lamps by emitting 300° of smooth, high quality light.

## Key Features & Benefits

- Voluntary California Quality Light-Emitting Diode (LED) Lamp Specification 3.0, Tier II and JA8 Certified
- ENERGY STAR v2.1
- Indoor/Outdoor Damp rated
- Available in 2700K, 3000K, and 5000K color temperatures
- 92+ CRI
- Dimmable down to 10%
- 25,000 hours rated life (L<sub>70</sub>)
- Approved for use in totally enclosed fixtures (except for 100W)



## Product Offering

Ordering Abbreviation	Wattage	Color Temperature	Typical Lumens
LED 6A19	6	2700K, 3000K, 5000K	470
LED 10A19	10	2700K, 3000K, 5000K	800
LED 12A19	12	2700K, 3000K, 5000K	1100
LED 17A21	17	2700K, 3000K, 5000K	1600

## Application Information

### Applications

- Downlights
- Pendant fixtures
- Table lamps
- Wall sconces

### Market Segments

- Hospitality
- Office
- Residential
- Retail

### Application Notes

1. Operating temperature range between -20°C and +45°C (-4°F and + 113°F)
2. Not for use with emergency light fixtures or exit lights
3. Approved for use in totally enclosed fixtures (except for 100W)



## Specification Data

Catalog #	Type
Project	
Comments	
Prepared by	

## Ordering Information

Item Number	Ordering Abbreviation	Wattage (W)	Light Output (lm)	Replaces	Input Voltage (V)	CCT	CRI	Average Rated Life (hrs.)	Finish	ENERGY STAR®
78108	LED6A19/DIM/O/927/U/B	6	470	40W	120	2700K	93	25,000	Frosted	Yes
78109	LED6A19/DIM/O/930/U/B	6	470	40W	120	3000K	93	25,000	Frosted	Yes
78110	LED6A19/DIM/O/950/U/B	6	470	40W	120	5000K	93	25,000	Frosted	Yes
78111	LED10A19/DIM/O/927/U/B	10	800	60W	120	2700K	93	25,000	Frosted	Yes
78112	LED10A19/DIM/O/930/U/B	10	800	60W	120	3000K	93	25,000	Frosted	Yes
78113	LED10A19/DIM/O/950/U/B	10	800	60W	120	5000K	93	25,000	Frosted	Yes
78114	LED12A19/DIM/O/927/U/B	12	1100	75W	120	2700K	92	25,000	Frosted	Yes
78115	LED12A19/DIM/O/930/U/B	12	1100	75W	120	3000K	92	25,000	Frosted	Yes
78116	LED12A19/DIM/O/950/U/B	12	1100	75W	120	5000K	92	25,000	Frosted	Yes
78117	LED17A21/DIM/O/927/U/B	17	1600	100W	120	2700K	92	25,000	Frosted	Yes
78118	LED17A21/DIM/O/930/U/B	17	1600	100W	120	3000K	92	25,000	Frosted	Yes
78119	LED17A21/DIM/O/950/U/B	17	1600	100W	120	5000K	92	25,000	Frosted	Yes

## Ordering Guide

<b>LED</b>	<b>6</b>	<b>A19</b>	<b>/</b>	<b>DIM</b>	<b>/</b>	<b>0</b>	<b>/</b>	<b>9</b>	<b>27</b>	<b>/</b>	<b>U</b>	<b>/</b>	<b>B</b>
LED	Wattage	Lamp Type		Dimmable		Omnidirectional		CRI	CCT		ULTRA		Box

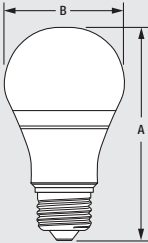
## Energy Savings

Basic Product Description	LED Life (hrs.)	LED Lumens	Similar Incandescent	Incandescent Life (hrs.)	Incandescent Lumens	Watts Saved	Energy Savings*	LED Life vs. Incandescent
LED6A19	25,000	450	40W A19	1500	465	34	\$93	15x
LED10A19	25,000	800	60W A19	1000	850	50	\$137	25x
LED12A19	25,000	1100	75W A19	750	1170	63	\$173	30x
LED17A21	25,000	1600	100W A19	750	1600	83	\$228	30x

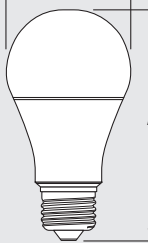
\*Energy savings over life of lamp calculated at \$0.11/kWh

## Lamp Dimensions

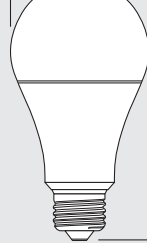
	(A) MOL (inches)	(B) Diameter (inches)
LED6 & 10A19	4.17	2.36
LED12A19	4.42	2.36
LED17A21	5.15	2.75



LED6 & 10A19



LED12A19



LED17A21

LEDVANCE LLC  
 200 Ballardvale Street  
 Wilmington, MA 01887 USA  
 Phone 1-800-LIGHTBULB (1-800-544-4828)  
[www.sylvania.com](http://www.sylvania.com)

SYLVANIA and LEDVANCE are registered trademarks.  
 All other trademarks are those of their respective owners.  
 Licensee of product trademark SYLVANIA in general lighting.  
 Specifications subject to change without notice.

[/sylvania](https://www.facebook.com/sylvania)

