

## DIAL INDICATORS

### 25, 655, 656 DIAL INDICATORS WITH LONG RANGE



#### 2-5" RANGES

These indicators have a shockless, hardened steel gear train and are furnished with jewel bearings and lug-on-center backs unless otherwise ordered.

- Conforms to AGD specifications except for range
- Stem cap supplied as standard – top lift available when specified
- Furnished with continuous reading double dial with direct reading count hands

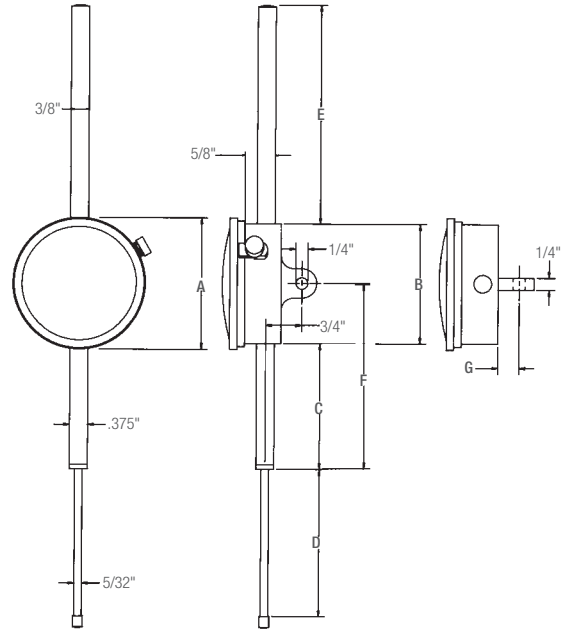
#### 25, 655, 656 Dial Indicators with Long Range

Graduation	Range	Dial Reading	Revs. of Hand	AGD Group	Bezel Diameter	Cat. No.	EDP
.001"	2.000"	0-100	20	2	2-1/4"	25-2041J	53309
				3	2-3/4"	655-2041J	53619
				4	3-5/8"	656-2041J	53799
.001"	3.000"	0-100	30	2	2-1/4"	25-3041J	53310
				3	2-3/4"	655-3041J	53620
				4	3-5/8"	656-3041J	53800
.001"	4.000"	0-100	40	2	2-1/4"	25-4041J	53311
				3	2-3/4"	655-4041J	53621
				4	3-5/8"	656-4041J	53801
.001"	5.000"	0-100	50	2	2-1/4"	25-5041J	53312
				3	2-3/4"	655-5041J	53622
				4	3-5/8"	656-5041J	53802

Not available with special non-shock mechanism. For other attachments, accessories and contact points, refer to the end of the AGD Dial Indicator listings.

#### Approximate Dimensions

Cat. No.	A	B	C	D	E	F	G
25-2041J	2-1/4"	2-1/16"	1-13/16"	2-1/16"	3-3/32"	2-7/8"	15/32"
655-2041J	2-3/4"	2-1/2"	1-5/8"	2-1/16"	3-3/32"	2-7/8"	7/16"
656-2041J	3-5/8"	3-3/8"	1-1/4"	2-1/16"	3-3/32"	3"	27/64"
25-3041J	2-1/4"	2-1/16"	2-13/16"	3-1/16"	4-9/16"	3-7/8"	15/32"
655-3041J	2-3/4"	2-1/2"	2-5/8"	3-1/16"	4-9/16"	3-7/8"	7/16"
656-3041J	3-5/8"	3-3/8"	2-1/4"	3-1/16"	4-9/16"	4"	27/64"
25-4041J	2-1/4"	2-1/16"	3-13/16"	4-1/16"	6"	4-7/8"	15/32"
655-4041J	2-3/4"	2-1/2"	3-5/8"	4-1/16"	6"	4-7/8"	7/16"
656-4041J	3-5/8"	3-3/8"	3-1/4"	4-1/16"	6"	5"	27/64"
25-5041J	2-1/4"	2-1/16"	4-13/16"	5-1/16"	7-1/4"	5-7/8"	15/32"
655-5041J	2-3/4"	2-1/2"	4-5/8"	5-1/16"	7-1/4"	5-7/8"	7/16"
656-5041J	3-5/8"	3-3/8"	4-1/4"	5-1/16"	7-1/4"	6"	27/64"



25-2041J

