

# PUSHBUTTON SWITCHES

PUSHBUTTON SWITCHES										
POLES & THROWS	CIRCUIT FUNCTIONS	NOMINAL RATING			ACTUATOR STYLE	ACTUATOR MATERIAL	TERMINATION TYPE	MOUNTING HOLE DIAMETER	CATALOG NUMBER	FIG. NO.
		AMPS	AMPS	H.P.						
		125 VAC	250 VAC	125-250 VAC						

## MAINTAINED CONTACT

SPST	PUSH ON-PUSH OFF	3†			STRAIGHT	NYLON	WIRE	.38"	SS103-BG	1
SPST	PUSH ON-PUSH OFF	6‡	3		STRAIGHT	BRASS/BRONZE	WIRE	.39"	SS104-BG	2
SPST	PUSH ON-PUSH OFF	6*	3*		CAP	BRASS/NICKEL	SCREW	.50"	SS216-11-BG	3
SPST	PUSH ON-PUSH OFF	6*	3*		CAP	BRASS/NICKEL	WIRE	.50"	SS215-10-BG	4
SPST	PUSH ON-PUSH OFF	8^*	4*	1/3 @ 125	CAP	NYLON	WIRE	.50"	SS105-BG	5
SPST	PUSH ON-PUSH OFF	15	10		CAP	BRASS/NICKEL	SCREW	.50"	SS224-BG	6
SPDT	PUSH ON-PUSH ON	15	10		CAP	BRASS/NICKEL	SCREW	.50"	SS223S-BG	7

## MOMENTARY CONTACT

SPST N.O.	OFF-(ON)	3/4*	1/4*		STRAIGHT	NYLON	SCREW	.50"	SS213-13-BG	8
SPST N.O.	OFF-(ON)	3†			STRAIGHT	NYLON	WIRE	.38"	SS101-BG	9
SPST N.O.	OFF-(ON)	15	10		CAP	BRASS/NICKEL	SCREW	.50"	SS228-BG	10
SPST N.O.	OFF-(ON)	15	10		CAP	BRASS/NICKEL	.250" SPADE	.50"	SS232P-BG	11
SPST N.C.	ON-(OFF)	3/4*	1/4*		STRAIGHT	NYLON	SCREW	.50"	SS214-14-BG	8
SPST N.C.	ON-(OFF)	3†			STRAIGHT	NYLON	WIRE	.38"	SS102-BG	12
SPST N.C.	ON-(OFF)	6*	3*		CAP	BRASS/NICKEL	WIRE	.50"	SS233W-BG	13
SPST N.C.	ON-(OFF)	15	10		CAP	BRASS/NICKEL	SCREW	.50"	SS229-BG	14

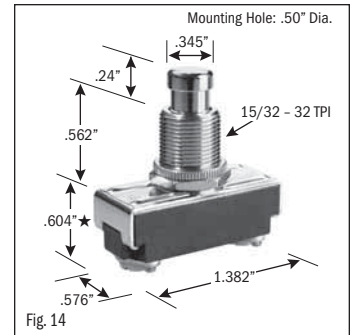
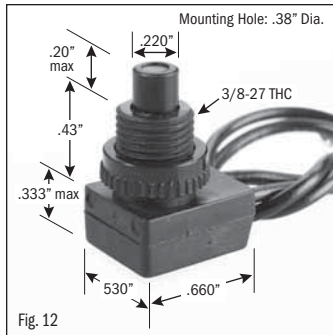
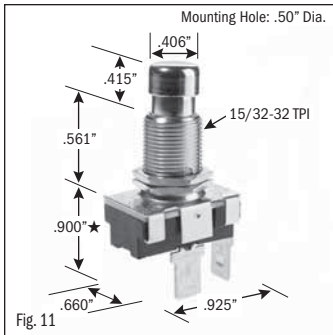
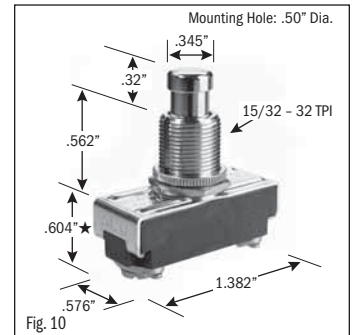
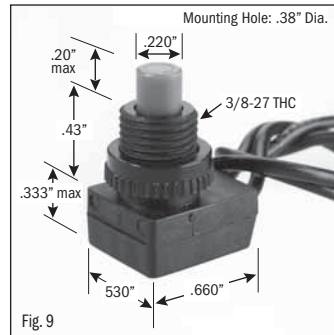
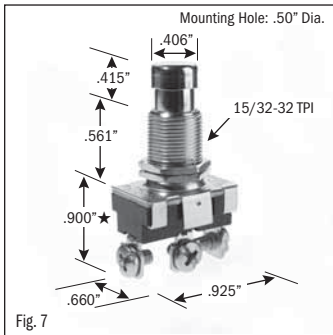
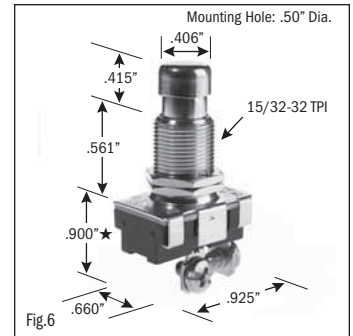
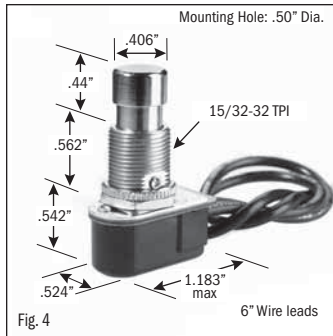
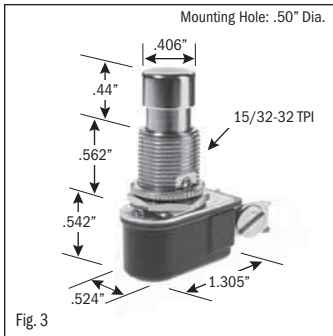
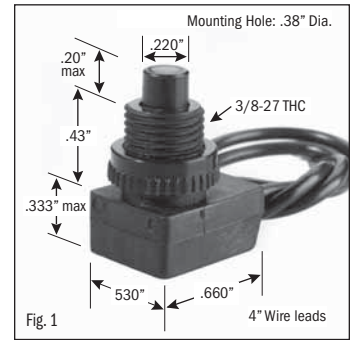
† Rated 3 Amps Inductive 125 VAC; 2 Amps, 125VAC-L

‡ Also rated 3 Amps 125VAC-L

\* Stated Amperage and voltage also valid for D.C. Rating

^ Also rated 10 Amps 125 VAC

continued on page 2



★ Switch height measurement in Figures above, includes body and terminals combined



All specifications and dimensions are for reference only. If specific information is needed and/or of critical nature, contact Selecta Products headquarters for specific information before ordering.