

# H366NR

Safety switch, heavy duty, fusible, 600A, 3 poles, 500 hp, 600 VAC/DC, NEMA 3R, neutral factory installed



## Main

Product	Single Throw Safety Switch
Duty Rating	Heavy duty
Device Application	Heavy application
Disconnect Type	Fusible disconnect
Factory Installed Neutral	Neutral (factory installed)
Phase	3 phase
Number of Poles	3
Current Rating	600 A
Voltage Rating	600 V AC/DC
Enclosure Rating	NEMA 3R galvanized steel
Maximum Horse Power Rating	150 Hp 480 V at AC 50-60 Hz for 3 phase conforming to NEC 240.6 400 Hp 480 V at AC 50-60 Hz for 3 phase conforming to NEC 430.52 200 Hp 600 V at AC 50-60 Hz for 3 phase conforming to NEC 240.6 500 Hp 600 V at AC 50-60 Hz for 3 phase conforming to NEC 430.52 50 Hp 250 V at DC 50 hp 600 V at DC

## Complementary

Short Circuit Current Rating	10 KA H or K 200 kA R or J
Fuse type	H or K R or J
Mounting Type	Surface
Electrical Connection	Lugs
Wiring configuration	4-wire (3PH + N)
Wire Size	AWG 3/0...500 kcmil copper or aluminium
Tightening torque	375 lbf.in (42.37 N.m) (AWG 3/0...500 kcmil)
Depth	10.13 in (257.30 mm)
Width	27.88 in (708.15 mm)
Height	50.31 in (1277.87 mm)
Net Weight	201.06 lb(US) (91.2 kg)

## Environment

Certifications	UL listed file E2875
----------------	----------------------

## Ordering and shipping details

Category	00054 - H&HU SW,NEMA3R,400-1200A
Discount Schedule	DE1
GTIN	785901195825
Nbr. of units in pkg.	1
Package weight(Lbs)	201.00 lb(US) (91.172 kg)
Returnability	Yes
Country of origin	MX

## Packing Units

Unit Type of Package 1	PCE
Package 1 Height	13.39 in (34 cm)
Package 1 width	28.35 in (72 cm)
Package 1 Length	51.97 in (132 cm)

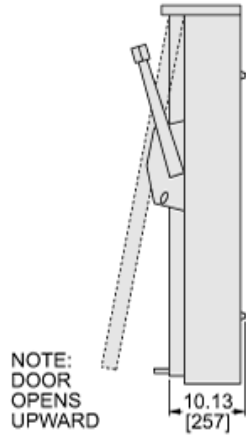
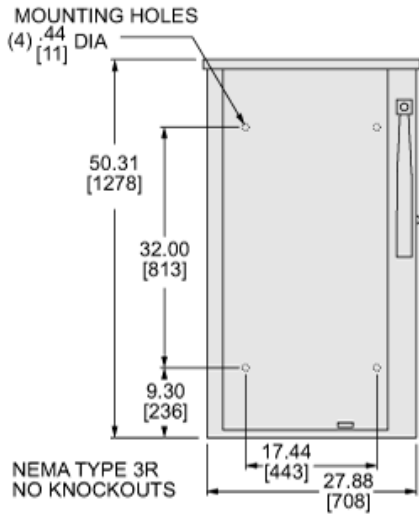
## Offer Sustainability

Sustainable offer status	Green Premium product
California proposition 65	WARNING: This product can expose you to chemicals including: Lead and lead compounds, which is known to the State of California to cause cancer and birth defects or other reproductive harm. For more information go to <a href="http://www.P65Warnings.ca.gov">www.P65Warnings.ca.gov</a>
REACH Regulation	<a href="#">REACH Declaration</a>
REACH free of SVHC	Yes
EU RoHS Directive	Compliant <a href="#">EU RoHS Declaration</a>
Mercury free	Yes
RoHS exemption information	<a href="#">Yes</a>
China RoHS Regulation	<a href="#">China RoHS Declaration</a>
Environmental Disclosure	<a href="#">Product Environmental Profile</a>
PVC free	Yes
Halogen content performance	Halogen free plastic parts product

## Contractual warranty

Warranty	18 months
----------	-----------

Approximate Dimensions



in.  
[mm]

