

Product data sheet

Specifications

SQUARE D

Green Premium™



TRANSFORMER DRY 3PH 15KVA 480V-240V

15T75F

Product availability : Stock - Normally stocked in distribution facility

Main

Product or Component Type	Dry Sealed Transformer
Primary to Secondary Voltage	480 V delta 240 V delta
Full Capacity Taps	4 2.5 % FCBN

Complementary

Enclosure Code	14C
Phase	3 phase
Power Rating	15 kVA
Temperature rise	115 °C
Height	14.75 in (374.65 mm)
Width	19.1 in (485.14 mm)
Depth	12.25 in (311.15 mm)
Enclosure mounting	Wall mounted
Enclosure Material	Painted sheet steel

Environment

Enclosure Type	NEMA 3R
Insulation temperature	356 °F (180 °C)
Product certifications	CSA UL Listed cULus

Ordering and shipping details

Category	16277-RESIN LVGP XFMR
Discount Schedule	PE2
GTIN	785901358053
Nbr. of units in pkg.	1
Package weight(Lbs)	326.00 lb(US) (147.871 kg)
Returnability	Yes
Country of origin	MX

Disclaimer: This documentation is not intended as a substitute for and is not to be used for determining suitability or reliability of these products for specific user applications

Packing Units

Unit Type of Package 1	PCE
Package 1 Height	14.75 in (37.465 cm)
Package 1 width	19.10 in (48.514 cm)
Package 1 Length	12.25 in (31.115 cm)

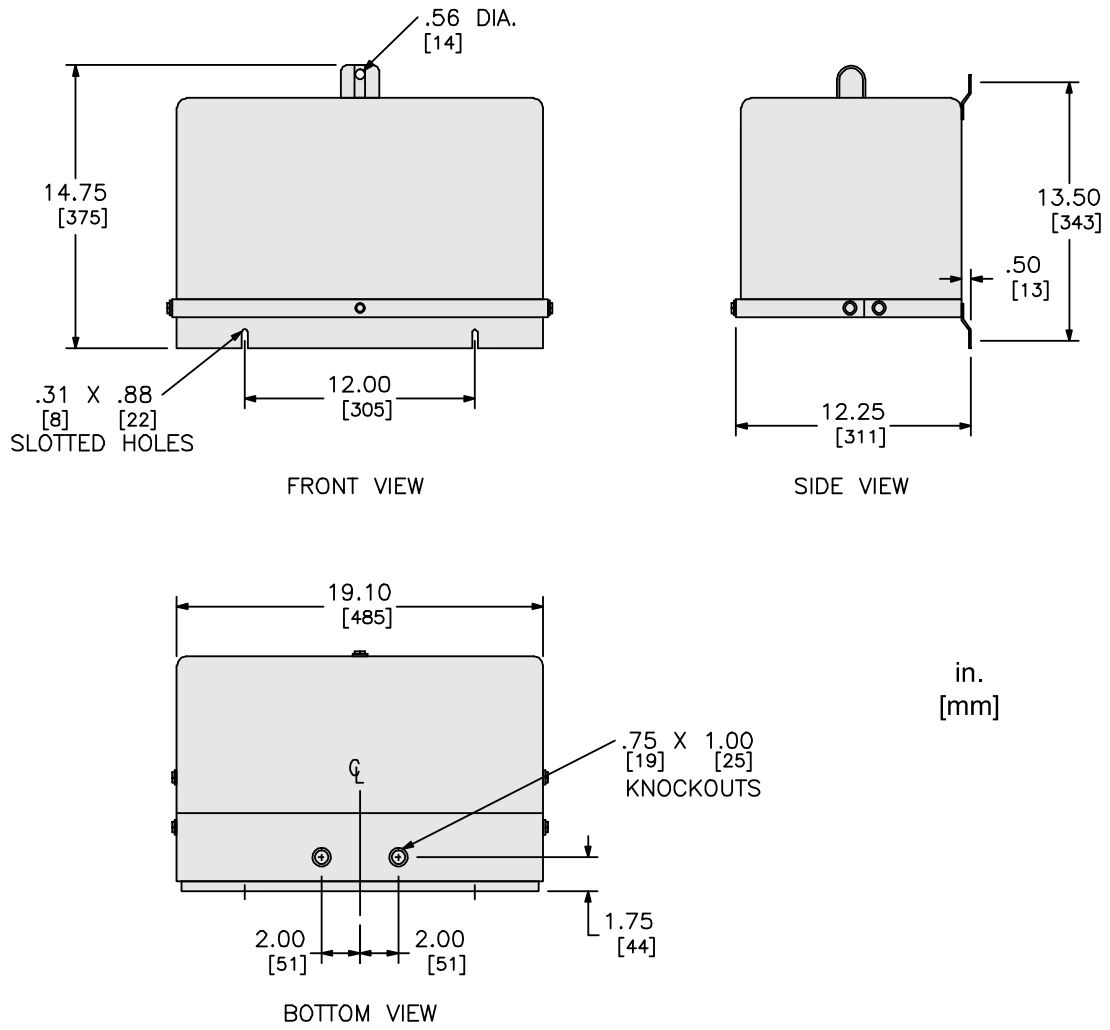
Offer Sustainability

Sustainable offer status	Green Premium product
California proposition 65	WARNING: This product can expose you to chemicals including: Phenyl glycidyl ether, which is known to the State of California to cause cancer and birth defects or other reproductive harm. For more information go to www.P65Warnings.ca.gov
REACH Regulation	REACH Declaration
REACH free of SVHC	Yes
EU RoHS Directive	Compliant EU RoHS Declaration
Toxic heavy metal free	Yes
Mercury free	Yes
RoHS exemption information	Yes
China RoHS Regulation	China RoHS declaration Pro-active China RoHS declaration (out of China RoHS legal scope)
Environmental Disclosure	Product Environmental Profile
PVC free	Yes

Contractual warranty

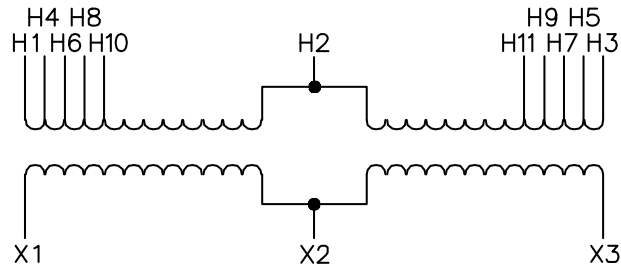
Warranty	18 months
----------	-----------

Dimensions



ALL DIMENSIONS ARE APPROXIMATE.
ALSO REFER TO TECHNICAL DRAWINGS AND DOCUMENTATION.

Wiring Diagram



9T75F
 15T75F
 4 – 2.5% FCBN

480 DELTA – 240 DELTA CONNECT TO TAPS	
PRIMARY VOLTS	4–2.5 % FCBN
480	H1, H2, H3
468	H4, H2, H5
456	H6, H2, H7
444	H8, H2, H9
432	H10, H2, H11