



### Main

Range of product	Modicon X80
Product or component type	Analog output module
Electrical connection	1 connector 20 ways
Isolation between channels	Isolated

### Complementary

Measurement error	$\leq 0.25\%$ of full scale 0...60 °C 0.1 % of full scale 25 °C
Temperature drift	45 ppm/°C +/- 10 V 45 ppm/°C 0...20 mA 45 ppm/°C 4...20 mA
Common mode between channels	$\geq 80$ dB
Isolation voltage	1400 V DC between channels and ground 1400 V DC between channels and bus 750 V DC between channels
Detection type	Open circuit 0...20 mA Open circuit 4...20 mA Short circuit +/- 10 V
Load impedance ohmic	$\geq 1000$ Ohm +/- 10 V $\leq 500$ Ohm 0...20 mA $\leq 500$ Ohm 4...20 mA
Output level	High level
Analogue output number	4
Analogue output type	Current 0...20 mA Current 4...20 mA Voltage +/- 10 V
Analogue output resolution	15 bits + sign
Supply	Internal power supply via rack
Conversion time	$\leq 1$ ms
Maximum conversion value	+/- 11.4 V +/- 10 V 0...21 mA 0...20 mA 0...21 mA 4...20 mA
Fallback mode	Configurable

	Predefined
Status LED	1 LED green RUN 1 LED per channel green channel diagnostic 1 LED red ERR 1 LED red I/O
Product weight	0.15 kg
Current consumption	150 mA at 3.3 V DC 84 mA at 24 V DC

## Environment

Vibration resistance	3 gn
Shock resistance	30 gn
Ambient air temperature for storage	-40...85 °C
Ambient air temperature for operation	0...60 °C
Relative humidity	5...95 % 55 °C without condensation
IP degree of protection	IP20
Directives	2012/19/EU - WEEE directive 2014/30/EU - electromagnetic compatibility 2014/35/EU - low voltage directive
Product certifications	CE CSA UL RCM Merchant Navy EAC
Standards	EN 61000-6-2 EN 61000-6-4 EN 61131-2 EN 61010-2-201
Protective treatment	TC
Operating altitude	0...2000 m 2000...5000 m (with derating factor)

## Offer Sustainability

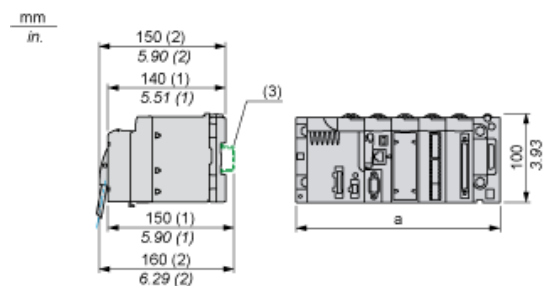
Sustainable offer status	Green Premium product
RoHS (date code: YYWW)	Compliant - since 0901 - Schneider Electric declaration of conformity <a href="#">Schneider Electric declaration of conformity</a>
REACH	Reference not containing SVHC above the threshold <a href="#">Reference not containing SVHC above the threshold</a>
Product environmental profile	Available <a href="#">Product Environmental Profile</a>
Product end of life instructions	Available <a href="#">End of Life Information</a>

## Contractual warranty

Warranty period	18 months
-----------------	-----------

Modules Mounted on Racks

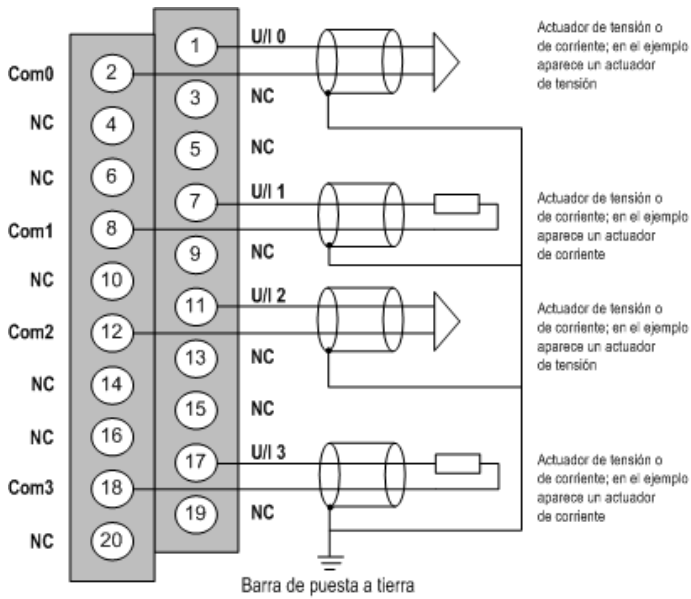
Dimensions



- (1) With removable terminal block (cage, screw or spring).
- (2) With FCN connector.
- (3) On AM1 ED rail: 35 mm wide, 15 mm deep. Only possible with BMXXBP0400/0400H/0600/0600H/0800/0800H rack.

Rack references	a in mm	a in in.
BMXXBP0400 and BMXXBP0400H	242.4	09.54
BMXXBP0600 and BMXXBP0600H	307.6	12.11
BMXXBP0800 and BMXXBP0800H	372.8	14.68
BMXXBP1200 and BMXXBP1200H	503.2	19.81

Wiring Diagram



U/Ix + pole input for channel x  
COMx - pole input for channel x  
Channel 0 Voltage actuator  
Channel 1 Current actuator

The current loop is self-powered by the output and does not request any external supply.