



Main

Range of product	Modicon Quantum automation platform
Product or component type	Dc discrete output module
Discrete output number	32

Complementary

Group of channels	4 groups of 8
Discrete output logic	Positive logic (source)
Addressing requirement	2 output words
Discrete output voltage	24 V DC
Output voltage limits	19.2...30 V
Absolute maximum output	56 V for 1.3 s decaying pulse
Voltage drop	0.4 V 0.5 A
Maximum load current	16 A per module 4 A per group
Surge current	≤ 5 A for 0.0005 s
Response time	≤ 1 ms at state 0 to state 1 ≤ 1 ms at state 1 to state 0
Leakage current	0.4 mA 30 V
Load inductance	$\text{Inductance(H)} = 0.5 / ((\text{current(A)})^2 \times (\text{switching frequency(Hz)}))$ 50 Hz
Fault indication	Loss of field power Blown fuse
Associated fuse rating	3 A each point 3 A each point 5 A per group 5 A per group
Isolation between channels and bus	1780 Vrms DC for 1 minute
Isolation between group	500 Vrms DC for 1 minute
Protection type	Internal output protection by 5 A fuse per group
Power dissipation	1.75 W + (0.4 V x total module load current)

Disclaimer: This documentation is not intended as a substitute for and is not to be used for determining suitability or reliability of these products for specific user applications

Marking	CE
Local signalling	1 LED green bus communication is present (Active) 1 LED red external fault detected (F) 32 LEDs green input status
Bus current requirement	330 mA 330 mA
Module format	Standard
Product weight	0.45 kg

Environment

Product certifications	GL RMRS C-Tick BV Safety certification non interfering FM Class 1 Division 2 ABS DNV GOST RINA
Standards	CSA C22.2 No 142 UL 508
Resistance to electrostatic discharge	4 kV contact conforming to IEC 801-2 8 kV on air conforming to IEC 801-2
Resistance to electromagnetic fields	10 V/m 80...2000 MHz conforming to IEC 801-3
Ambient air temperature for operation	0...60 °C
Ambient air temperature for storage	-40...85 °C
Relative humidity	95 % without condensation
Operating altitude	<= 5000 m

Offer Sustainability

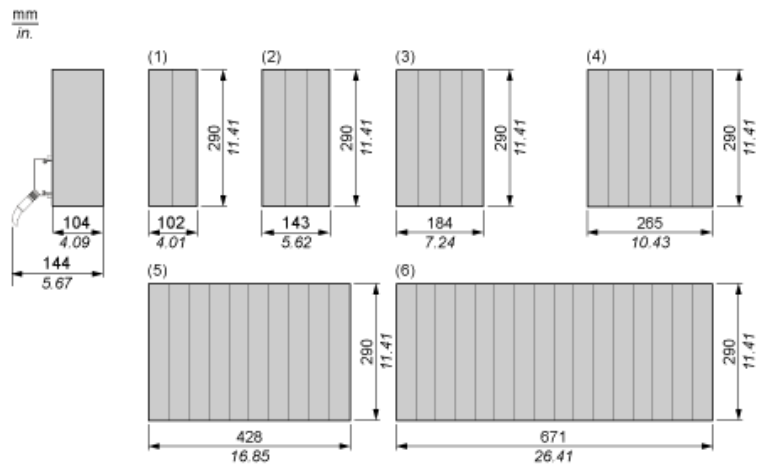
Sustainable offer status	Green Premium product
RoHS (date code: YYWW)	Compliant - since 0848 - Schneider Electric declaration of conformity Schneider Electric declaration of conformity
REACH	Reference not containing SVHC above the threshold Reference not containing SVHC above the threshold
Product environmental profile	Available End of Life Information
Product end of life instructions	Available

Contractual warranty

Warranty period	18 months
-----------------	-----------

Racks for Modules Mounting

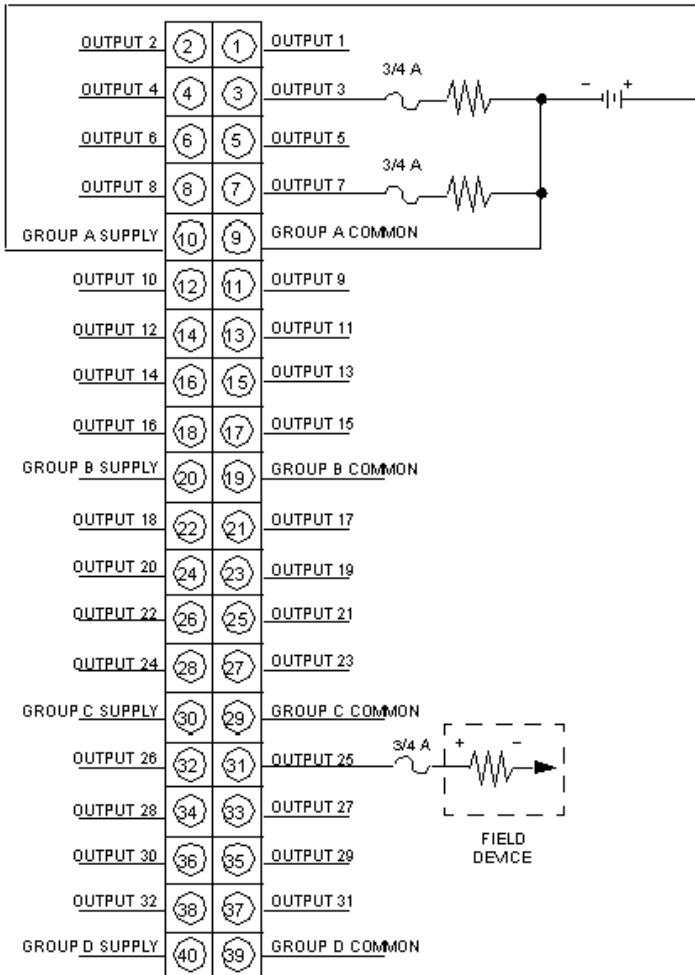
Dimensions of Modules and Racks



- (1) 2 slots
- (2) 3 slots
- (3) 4 slots
- (4) 6 slots
- (5) 10 slots
- (6) 16 slots

24 Vdc Discrete Output Source Module

Wiring Diagram



140DDO35300 is replaced by:



Standard environment BMXDDO3202K

discrete output module M340 - 32 outputs - solid state - 24 V DC positive

Qty 1

Reason for Substitution: End of life | Substitution date: 31 December 2021 | Not same dimensions/design - less max current 0.1A vs 0.5A, less group 2 vs.4