



### Main

Range of product	Modicon Quantum automation platform
Product or component type	Dc discrete input modules
Discrete input number	16

### Complementary

Group of channels	8
Logic input	Positive (sink)
Input voltage limits	10...60 V
Input voltage	12 V 5...10 mA DC 24 V 6...30 mA DC 48 V 2...15 mA DC 60 V 1...5 mA DC
Voltage state 1 guaranteed	11...24 V 24 V +/- 20 % 34...48 V 48 V +/- 20 % 45...60 V 60 V +/- 20 % 9...12 V 12 V +/- 5 %
Voltage state 0 guaranteed	0...1.8 V 12 V +/- 5 % 0...10 V 48 V +/- 20 % 0...5 V 24 V +/- 20 % 0...9 V 60 V +/- 20 %
Absolute maximum voltage	75 V
Addressing requirement	1 input word
Response time	4 ms from state 0 to state 1 4 ms from state 1 to state 0
Switching frequency	<= 100 Hz
Isolation between group and bus	2500 Vrms DC for 1 minute
Isolation between group	700 Vrms DC for 1 minute
Power dissipation	1 W + (0.62 x number of points on)
Marking	CE
Local signalling	1 LED green bus communication is present (Active) 1 LED red external fault detected (F)

## 16 LEDs green input status

Bus current requirement	200 mA
Module format	Standard
Product weight	0.3 kg

## Environment

Standards	CSA C22.2 No 142 UL 508
Product certifications	C-Tick FM Class 1 Division 2
Resistance to electrostatic discharge	4 kV contact conforming to IEC 801-2 8 kV on air conforming to IEC 801-2
Resistance to electromagnetic fields	10 V/m 80...2000 MHz conforming to IEC 801-3
Ambient air temperature for operation	0...60 °C
Ambient air temperature for storage	-40...85 °C
Relative humidity	95 % without condensation
Operating altitude	<= 5000 m

## Offer Sustainability

Sustainable offer status	Green Premium product
RoHS (date code: YYWW)	Compliant - since 0901 - Schneider Electric declaration of conformity <a href="#">Schneider Electric declaration of conformity</a>
REACH	Reference not containing SVHC above the threshold <a href="#">Reference not containing SVHC above the threshold</a>
Product environmental profile	Available <a href="#">End of Life Information</a>
Product end of life instructions	Available

## Contractual warranty

Warranty period	18 months
-----------------	-----------

Racks for Modules Mounting

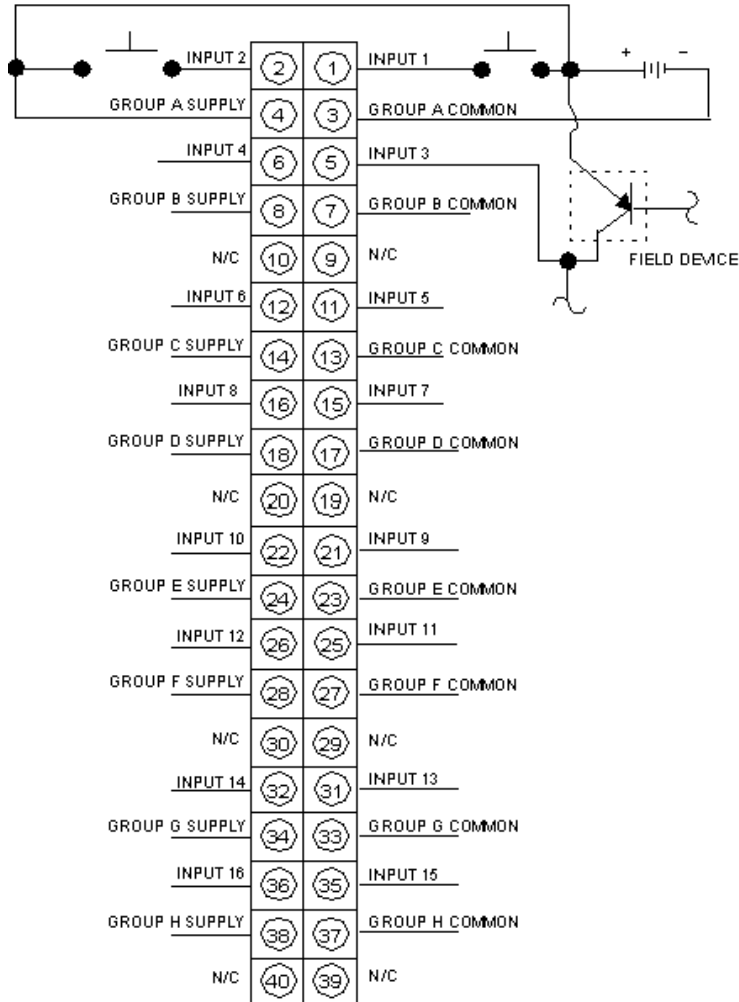
Dimensions of Modules and Racks



- (1) 2 slots
- (2) 3 slots
- (3) 4 slots
- (4) 6 slots
- (5) 10 slots
- (6) 16 slots

60 Vdc Discrete Input Sink Module

Wiring Diagram



N/C Not Connected

140DDI84100 is replaced by:



Standard environment BMXERT1604T

multifunction input module Modicon X80 - 16 I - 24/24..125 V

Qty 1

Reason for Substitution: End of life | Substitution date: 31 December 2021 | Not same dimensions/design - no equivalent 16-ch wide 0-60VDC Sink input (8X2)