



### Main

Range of product	Modicon Quantum automation platform
Product or component type	Low voltage dc discrete input modules
Discrete input number	32

### Complementary

Group of channels	4
Logic input	Positive (sink)
Discrete input voltage	24 V DC
Input voltage limits	19.2...30 V
Voltage state 1 guaranteed	15...30 V DC
Voltage state 0 guaranteed	-3...5 V DC
Current state 1 guaranteed	$\geq 2$ mA at $U_s = 5.5$ V and $U_{in} = 0$ V
Current state 0 guaranteed	$\leq 0.5$ mA
Addressing requirement	2 input words
Input impedance	2500 Ohm
Leakage current	200 mA at $U_s = 5.5$ V and $U_{in} = 4$ V
Absolute maximum input	30 V continuous 56 V during 1.3 ms decaying pulse
Response time	$\leq 1$ ms from state 0 to state 1 $\leq 1$ ms from state 1 to state 0
Protection type	Input protection by resistor limited
Power dissipation	1.7 W + (0.36 x number of points on)
Isolation between group and bus	1780 Vrms for 1 minute
Isolation between group	500 Vrms for 1 minute
Local signalling	1 LED green bus communication is present (Active) 1 LED red external fault detected (F) 32 LEDs green input status
Marking	CE

Disclaimer: This documentation is not intended as a substitute for and is not to be used for determining suitability or reliability of these products for specific user applications

Bus current requirement	330 mA
Module format	Standard
Product weight	0.3 kg

## Environment

Standards	CSA C22.2 No 142 UL 508
Product certifications	ABS C-Tick DNV RINA RMRS BV GOST
Resistance to electrostatic discharge	4 kV contact conforming to IEC 801-2 8 kV on air conforming to IEC 801-2
Resistance to electromagnetic fields	10 V/m 80...2000 MHz conforming to IEC 801-3
Ambient air temperature for operation	0...60 °C
Ambient air temperature for storage	-40...85 °C
Relative humidity	95 % without condensation
Operating altitude	<= 5000 m

## Offer Sustainability

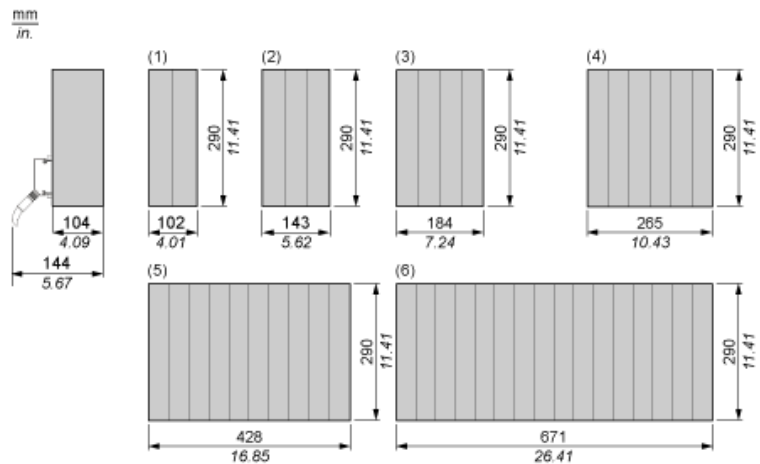
Sustainable offer status	Green Premium product
RoHS (date code: YYWW)	Compliant - since 0846 - Schneider Electric declaration of conformity <a href="#">Schneider Electric declaration of conformity</a>
REACH	Reference not containing SVHC above the threshold <a href="#">Reference not containing SVHC above the threshold</a>
Product environmental profile	Available <a href="#">End of Life Information</a>
Product end of life instructions	Available

## Contractual warranty

Warranty period	18 months
-----------------	-----------

Racks for Modules Mounting

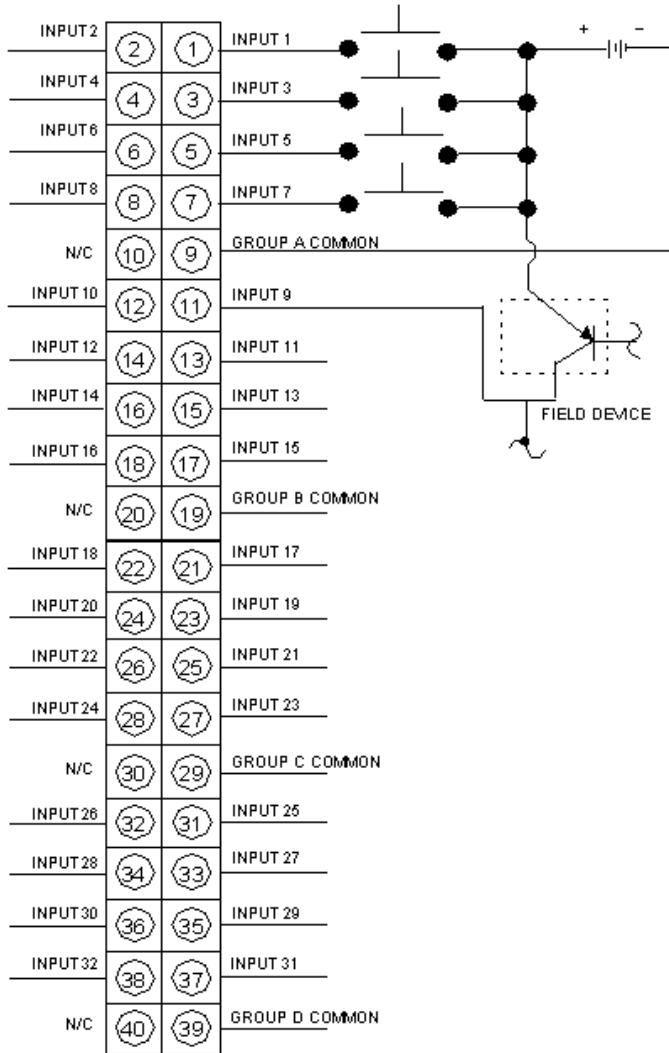
Dimensions of Modules and Racks



- (1) 2 slots
- (2) 3 slots
- (3) 4 slots
- (4) 6 slots
- (5) 10 slots
- (6) 16 slots

24 Vdc Discrete Input Sink Module

Wiring Diagram



N/C Not Connected

140DDI35300 is replaced by:



Standard environment BMXDDI3202K

discrete input module M340 - 32 inputs - 24 V DC positive

Qty 1

Reason for Substitution: End of life | Substitution date: 31 December 2021 | Not same dimensions/design - 32-ch 24VDC 2G X 16 vs. Quantum 4G X 8 Sink