



Main

Range of product	Modicon Momentum automation platform
Product or component type	Discrete output base AC
Group of channels	2 groups of 4 outputs
Discrete output number	8
Discrete output type	Triac
Discrete output voltage	120 V AC
Current per channel	≤ 2 A
Short-circuit protection	Internal fuse, 5 A slow-blow per group
Protective treatment	TC

Complementary

[Ue] rated operational voltage	120 V AC
Discrete output current	4 A per group 8 A per module
Minimum output current	5 mA
Leakage current	1.9 mA 120 V AC
Surge current	10 A for 2 cycles 15 A for 1 cycle 5 A for 3 cycles
Voltage drop	< 1.5 V 2 A at state 1
Output overload protection	Internal fuse
Response time	$1/2 \times 1/f$ (= 0.5 of one line cycle) from state 0 to state 1 $1/2 \times 1/f$ (= 0.5 of one line cycle) from state 1 to state 0
Isolation between channels and bus	1780 V AC for 1 minute
Power dissipation	6 W typical 7.5 W maximum
Marking	CE
Local signalling	8 LEDs channel status
Current consumption	125 mA 120 V AC

Terminals description PLC n°1	(1N)PW (1L+)PW (4)OUT_DIS#4 (3)OUT_DIS#3 TB (8)OUT_DIS#8 (7)OUT_DIS#7 (6)OUT_DIS#6 (2)OUT_DIS#2 (5)OUT_DIS#5 (1)OUT_DIS#1
Depth	47.5 mm
Height	141.5 mm
Width	125 mm
Product weight	0.32 kg

Environment

Product certifications	FM Class 1 Division 2 UL CSA
Resistance to electrostatic discharge	4 kV contact IEC 801-2 8 kV on air IEC 801-2
Resistance to electromagnetic fields	10 V/m 80...1000 MHz IEC 801-3
Ambient air temperature for operation	0...60 °C
Ambient air temperature for storage	-40...85 °C
Relative humidity	95 % without condensation
Operating altitude	<= 5000 m

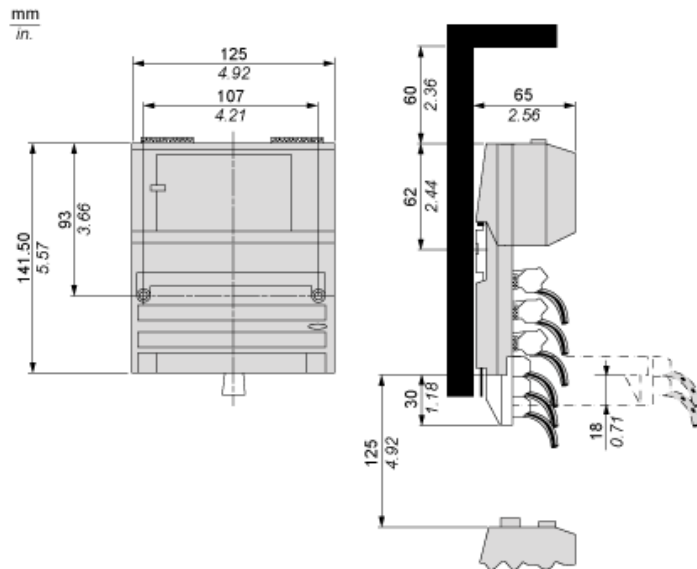
Offer Sustainability

Sustainable offer status	Green Premium product
RoHS (date code: YYWW)	Compliant - since 1350 - Schneider Electric declaration of conformity Schneider Electric declaration of conformity
REACH	Reference not containing SVHC above the threshold Reference not containing SVHC above the threshold
Product environmental profile	Available Product Environmental Profile
Product end of life instructions	Available End of Life Information

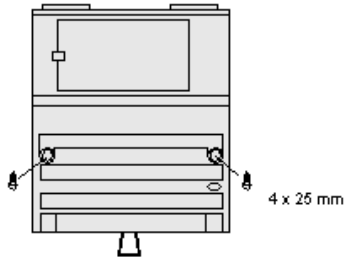
Contractual warranty

Warranty period	18 months
-----------------	-----------

Standard Adapter on a Discrete VAC Base

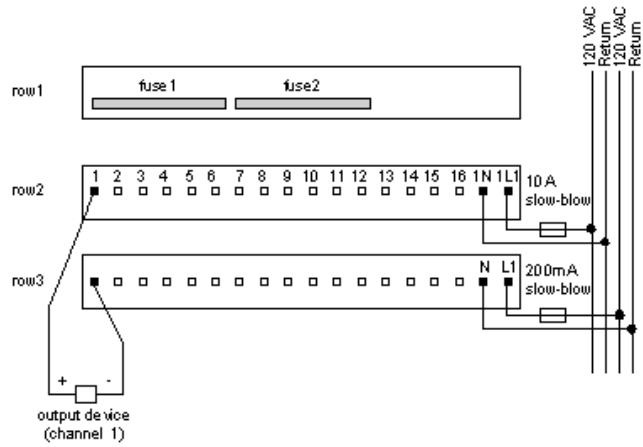


Mounting on a Wall

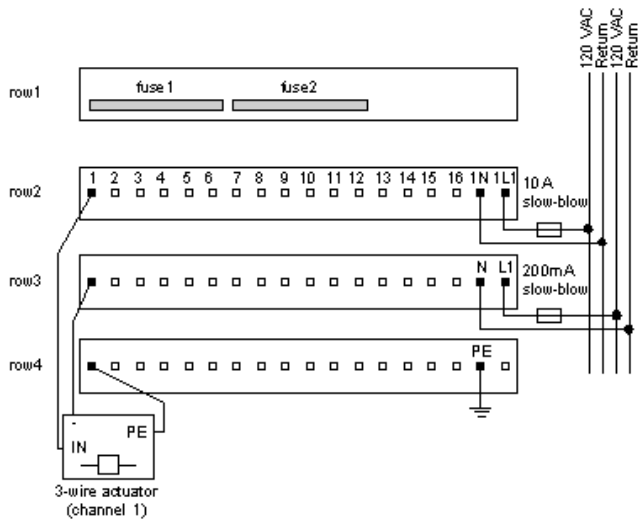


External Wiring Diagrams

2-Wire Device



3-Wire Device



Internal Pin Connections

Rows 1 through 3 show the internal connections between terminals on the I/O base. Row 4 shows the internal connections on the optional busbar.

