



Main

Range of product	Modicon Momentum automation platform
Product or component type	Discrete triac I/O base AC
Group of channels	1 group of 10 inputs 1 group of 8 outputs
Discrete input number	10 IEC 1131-2 Type 2
Discrete input logic	Positive
Discrete input voltage	120 V AC
Discrete output number	8
Discrete output type	Triac
Discrete output voltage	120...132 V DC
Discrete output logic	Positive
Protective treatment	TC

Complementary

[Us] rated supply voltage	120 V AC
Input voltage limits	74...132 V
Network frequency	47...63 Hz
Voltage state 0 guaranteed	< 20 V
Voltage state 1 guaranteed	> 74 V
Current state 0 guaranteed	<= 2.6 mA
Current state 1 guaranteed	>= 6 mA
Input resistance	4 kOhm
Discrete output current	30 mA...0.5 A per point 4 A per module 2 A per group
Leakage current	< 1.3 mA 120 V output circuit
Voltage drop	< 1.5 V 0.5 A at state 1 output circuit
Operating rate	3000 cyc/h 0.5 A inductive
Response time	1/2 x 1/f from state 1 to state 0 on output 1/2 x 1/f from state 1 to state 0 on input 1/2 x 1/f from state 0 to state 1 on output 1/2 x 1/f from state 0 to state 1 on input
Isolation between channels and bus	1780 V AC
Power dissipation	<= 8 W 6 W
Protection type	Internal 2 x 2.5 A slow-blow fuses
Marking	CE
Terminals description PLC n°1	(1)IN_DIS#1 (10)IN_DIS#10 (2)IN_DIS#2 (3)IN_DIS#3 (4)IN_DIS#4 (5)IN_DIS#5 (6)IN_DIS#6 (7)IN_DIS#7 (8)IN_DIS#8 (9)IN_DIS#9 (L1)PW (N)PW TB

The information provided in this documentation contains general descriptions and/or technical characteristics of the performance of the products contained herein. This documentation is not intended as a substitute for and is not to be used for determining suitability or reliability of these products for specific user applications. It is the duty of any such user or integrator to perform the appropriate and complete risk analysis, evaluation and testing of the products with respect to the relevant specific application or use thereof. Neither Schneider Electric Industries SAS nor any of its affiliates or subsidiaries shall be responsible or liable for misuse of the information contained herein.

Terminals description PLC n°2	(1)OUT_DIS#1 (1L1)PW (1N)PW (2)OUT_DIS#2 (3)OUT_DIS#3 (4)OUT_DIS#4 (5)OUT_DIS#5 (6)OUT_DIS#6 (7)OUT_DIS#7 (8)OUT_DIS#8 TB_1
Current consumption	160 mA 120 V AC
Depth	47.5 mm
Height	141.5 mm
Width	125 mm
Product weight	0.22 kg

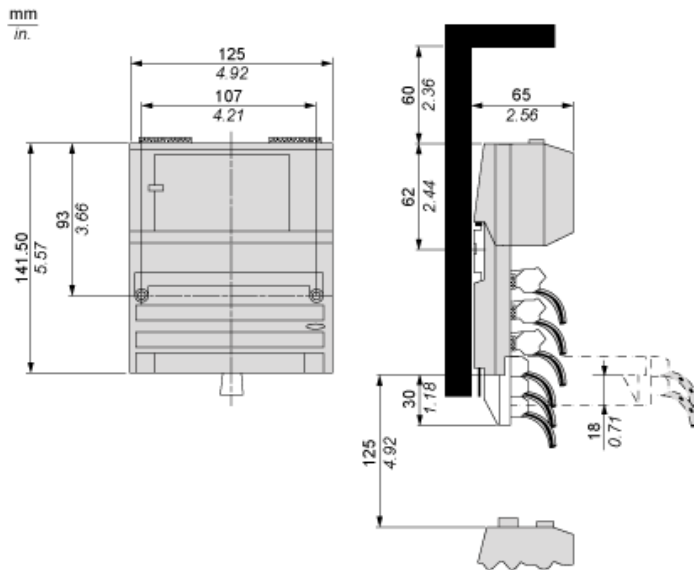
Environment

Product certifications	CSA UL
Resistance to electrostatic discharge	8 kV on air IEC 801-2 4 kV contact IEC 801-2
Resistance to electromagnetic fields	10 V/m 80...1000 MHz IEC 801-3
Ambient air temperature for operation	0...60 °C
Ambient air temperature for storage	-40...85 °C
Relative humidity	95 % without condensation
Operating altitude	<= 5000 m

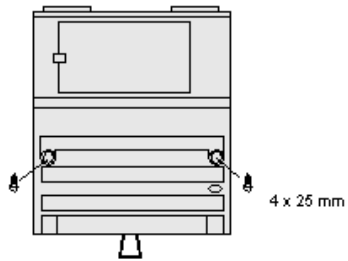
Offer Sustainability

Sustainable offer status	Not Green Premium product
RoHS (date code: YYWW)	Will be Compliant on 4Q2013

Standard Adapter on a Discrete VAC Base

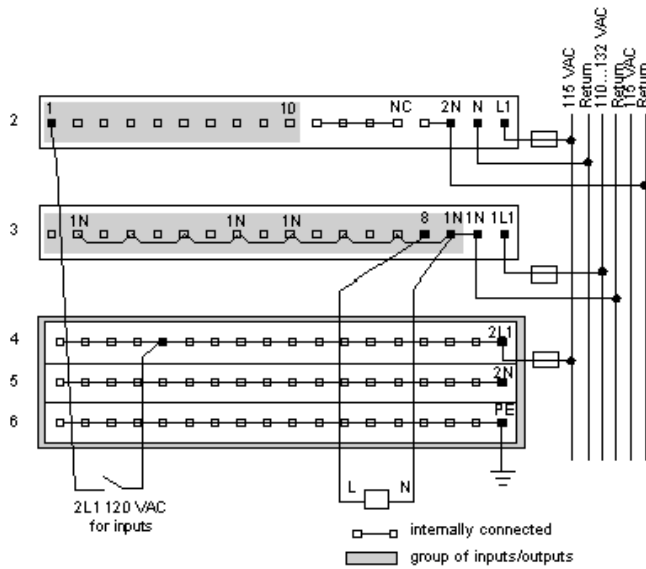


Mounting on a Wall

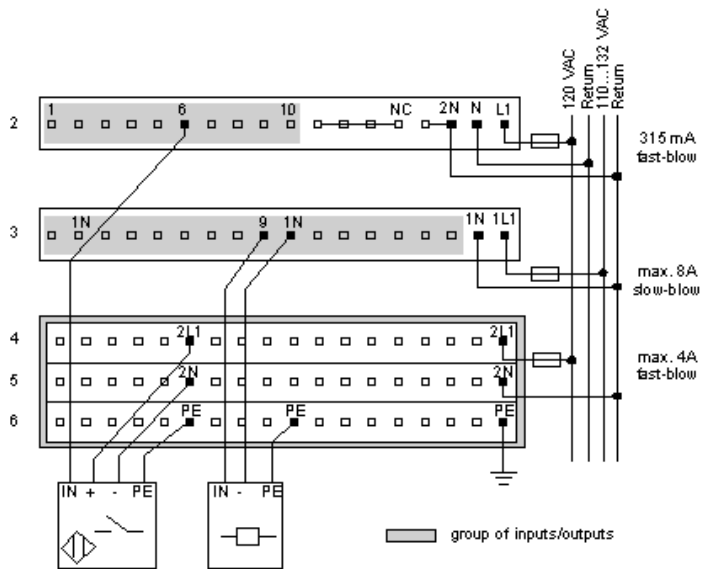


External Wiring Diagrams

2-Wire Sensor with a 2-Wire Actuator



4-Wire Sensor with a 3-Wire Actuator



Internal Pin Connections

Rows 1 through 3 show the internal connections between terminals on the I/O base. Rows 4 through 6 show the internal connections on the optional busbar.

