



Main

Range of product	Modicon Momentum automation platform
Product or component type	Discrete inputs base AC
Group of channels	2 groups of 8 inputs
Discrete input number	16 IEC 1131-2 Type 2
Discrete input voltage	120 V AC
Protective treatment	TC

Complementary

Discrete input logic	Positive
Input voltage limits	85...132 V
Network frequency	47...63 Hz
Voltage range	0...132 V
Voltage state 0 guaranteed	≤ 20 V
Voltage state 1 guaranteed	≥ 74 V
Current state 0 guaranteed	≤ 2 mA
Current state 1 guaranteed	≥ 10 mA
Input resistance	7.5 kOhm 60 Hz 9.5 kOhm 50 Hz
Response time	10 ms 60 Hz from state 0 to state 1 35 ms 60 Hz from state 1 to state 0
Isolation between group	1780 V AC
Isolation between channels and bus	1780 V AC
Terminals description PLC n°1	(L1)PW (6)IN_DIS#6 (15)IN_DIS#15 (12)IN_DIS#12 (11)IN_DIS#11 (2)IN_DIS#2 (8)IN_DIS#8 (10)IN_DIS#10

(N)PW
 (3)IN_DIS#3
 (1)IN_DIS#1
 (5)IN_DIS#5
 (13)IN_DIS#13
 TB
 (4)IN_DIS#4
 (14)IN_DIS#14
 (16)IN_DIS#16
 (7)IN_DIS#7
 (9)IN_DIS#9

Marking	CE
Local signalling	16 LEDs channel status
Current consumption	<= 125 mA 120 V AC
Depth	47.5 mm
Height	141.5 mm
Width	125 mm
Product weight	0.284 kg

Environment

Product certifications	FM Class 1 Division 2 UL CSA
Resistance to electrostatic discharge	4 kV contact IEC 801-2 8 kV on air IEC 801-2
Resistance to electromagnetic fields	10 V/m 80...1000 MHz IEC 801-3
Ambient air temperature for operation	0...60 °C
Ambient air temperature for storage	-40...85 °C
Relative humidity	95 % without condensation
Operating altitude	<= 5000 m

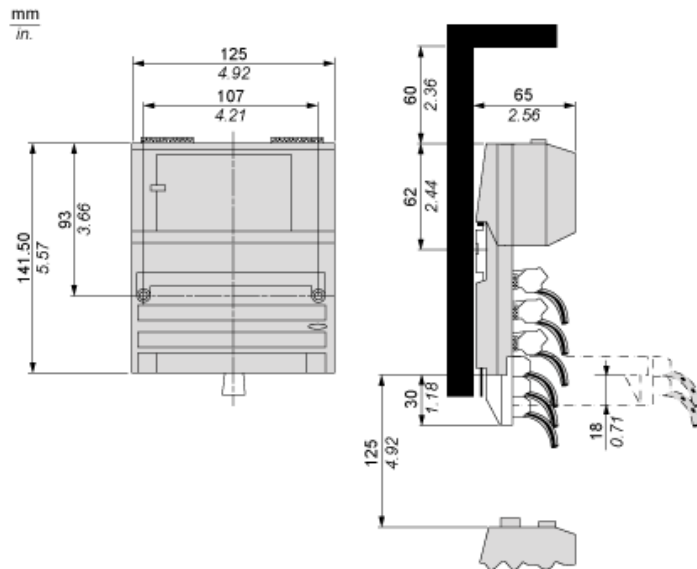
Offer Sustainability

Sustainable offer status	Green Premium product
RoHS (date code: YYWW)	Compliant - since 1350 - Schneider Electric declaration of conformity Schneider Electric declaration of conformity
REACH	Reference not containing SVHC above the threshold Reference not containing SVHC above the threshold
Product environmental profile	Available Product Environmental Profile
Product end of life instructions	Available End of Life Information

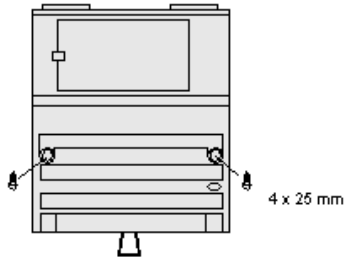
Contractual warranty

Warranty period	18 months
-----------------	-----------

Standard Adapter on a Discrete VAC Base

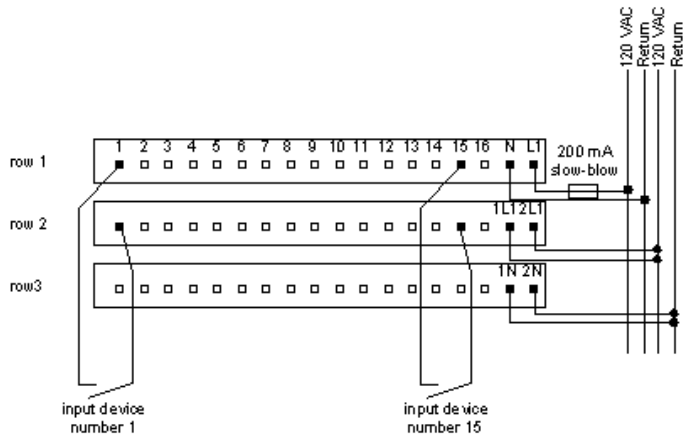


Mounting on a Wall

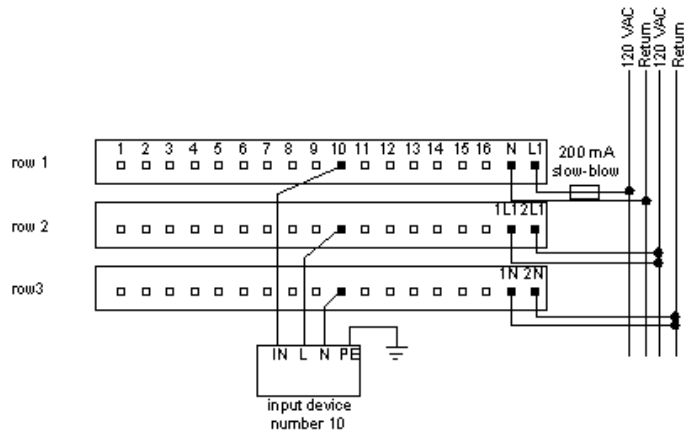


External Wiring Diagrams

2-Wire Devices



3-Wire Device



Internal Pin Connections

