



### Main

Range of product	Modicon Momentum automation platform
Product or component type	Analogue output base

### Complementary

Analogue output number	4
Data format	Full 16 bits signed
Analogue output range	+/- 10 V 12 bits + sign $\geq 1$ kOhm 0...20 mA 12 bits + sign $\leq 0.6$ kOhm
Load capacitance	$< 1 \mu\text{F}$
Absolute accuracy error	+/- 0.2 % of full scale +/- 10 V 25 °C +/- 0.25 % full scale +/- 10 V 60 °C +/- 0.3 % of full scale 0...20 mA 25 °C +/- 0.4 % of full scale 0...20 mA 60 °C
Temperature drift	10 %oFS/°C +/- 10 V 60 °C 30 %oFS/°C 0...20 mA 60 °C
Update time	2 ms
Full scale	10 V +/- 10 V 2 mA 0...20 mA
Fail state	Hold Reset to full scale Reset to zero
Isolation between channels and ground	500 V AC for 1 minute
Power dissipation in W	$\leq 8.5$ W
Protection type	Internal 2 A slow-blow
Output short-circuit protection	With in voltage circuit
External power requirement	+/- 30 V DC 24 V DC
Permissible common mode voltage	250 V 47...63 Hz AC between channels to ground 250 V 47...63 Hz DC
Reverse polarity protection	Internal

Marking	CE
Local signalling	4 LEDs channel status
Current consumption	150 mA 24 V DC actuator 530 mA 24 V DC base
Module format	Standard
Height	125 mm
Depth	47.5 mm
Width	141.5 mm
Product weight	0.215 kg

## Environment

Product certifications	CSA UL
Protective treatment	TC
Resistance to electrostatic discharge	4 kV contact IEC 801-2 8 kV on air IEC 801-2
Resistance to electromagnetic fields	10 V/m 80...1000 MHz IEC 801-3
Ambient air temperature for operation	0...60 °C
Ambient air temperature for storage	-40...85 °C
Relative humidity	95 % without condensation
Operating altitude	<= 5000 m

## Offer Sustainability

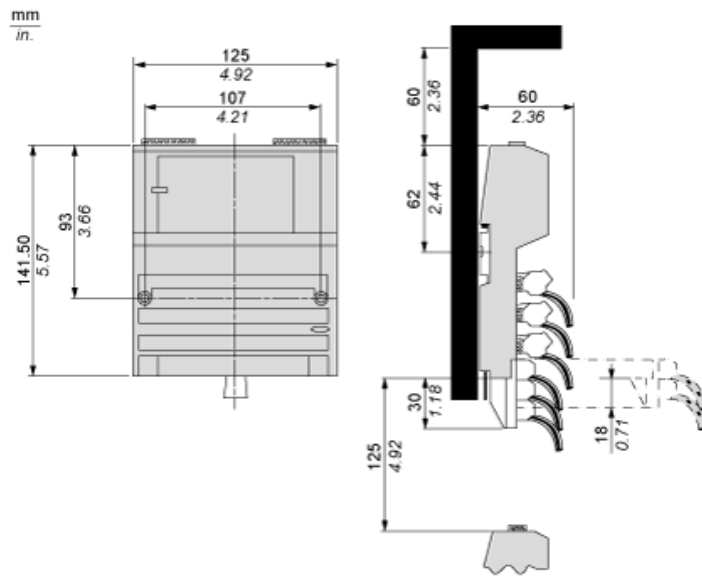
Sustainable offer status	Green Premium product
RoHS (date code: YYWW)	Compliant - since 1350 - Schneider Electric declaration of conformity <a href="#">Schneider Electric declaration of conformity</a>
REACH	Reference not containing SVHC above the threshold <a href="#">Reference not containing SVHC above the threshold</a>
Product environmental profile	Available <a href="#">Product Environmental Profile</a>
Product end of life instructions	Available <a href="#">End of Life Information</a>

## Contractual warranty

Warranty period	18 months
-----------------	-----------

Standard Adapter on a Typical Base

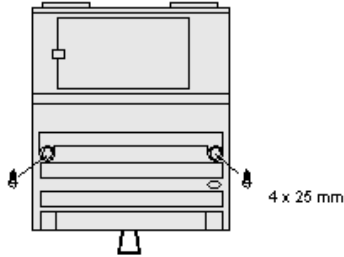
Dimensions



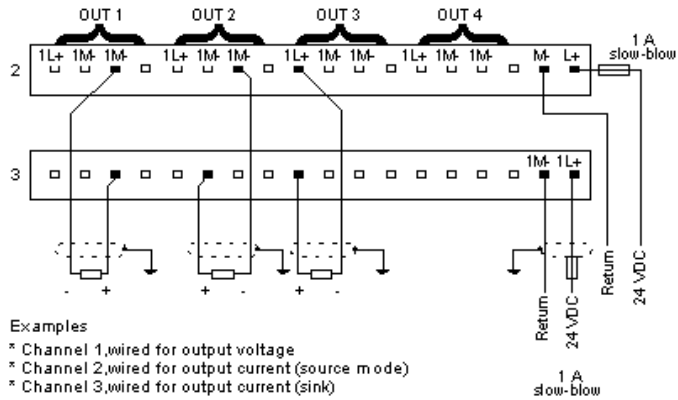
---

Mounting on a Wall

---



External Wiring Diagram



Internal Pin Connections

