



Main

Range of product	Modicon Momentum automation platform
Product or component type	Analogue input base
Analogue input number	16
Analogue input type	Single ended
Analogue input range	+/- 10 V 12 bits + sign > 2200 kOhm +/- 5 V 12 bits + sign > 2200 kOhm 4...20 mA 12 bits < 0.25 Ohm
Type of filter	Low pass input filter 10 kHz

Complementary

Data format	Full 16 bits signed
Absolute accuracy error	+/- 0.15 % of full scale 25 °C +/- 10 V +/- 0.15 % of full scale 25 °C +/- 5 V +/- 0.25 % full scale 25 °C 4...20 mA +/- 0.25 % full scale 60 °C +/- 10 V +/- 0.25 % full scale 60 °C +/- 5 V +/- 0.45 % full scale 60 °C 4...20 mA
Temperature drift	30 %oFS/°C +/- 10 V 60 °C 30 %oFS/°C +/- 5 V 60 °C 60 %oFS/°C 4...20 mA 60 °C
Full scale	10 V +/- 10 V 16 mA 4...20 mA 5 V +/- 5 V
Update time	25 ms
Isolation between channels and ground	1780 V AC for 1 minute
Isolation between supply and ground	500 V for 1 minute
Permissible common mode voltage	100 V 47...63 Hz DC between channels to ground 250 V 47...63 Hz AC between channels to ground
External power requirement	+/- 30 V DC
Power dissipation in W	<= 5.55 W

Reverse polarity protection	Internal
Protection type	Internal 2 A slow-blow
Associated fuse rating	500 mA fast blow
Marking	CE
Local signalling	16 LEDs channel status
Electrical connection	2 connectors for removable terminal blocks
Current consumption	305 mA 24 V DC
Depth	47.5 mm
Height	125 mm
Width	141.5 mm
Product weight	0.215 kg

Environment

Product certifications	CSA FM Class 1 Division 2 UL
Protective treatment	TC
Resistance to electrostatic discharge	4 kV contact IEC 801-2 8 kV on air IEC 801-2
Resistance to electromagnetic fields	10 V/m 80...1000 MHz IEC 801-3
Ambient air temperature for operation	0...60 °C
Ambient air temperature for storage	-40...85 °C
Relative humidity	95 % without condensation
Operating altitude	<= 5000 m

Offer Sustainability

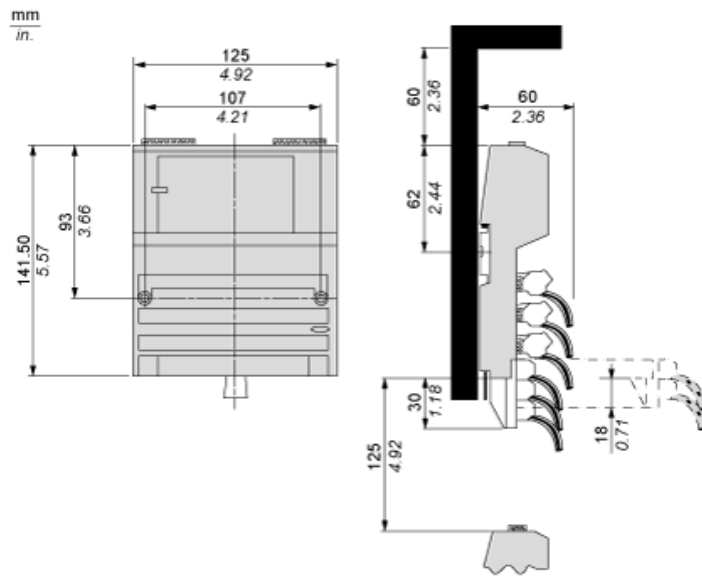
Sustainable offer status	Green Premium product
RoHS (date code: YYWW)	Compliant - since 0901 - Schneider Electric declaration of conformity Schneider Electric declaration of conformity
REACH	Reference not containing SVHC above the threshold Reference not containing SVHC above the threshold
Product environmental profile	Available Product Environmental Profile
Product end of life instructions	Available End of Life Information

Contractual warranty

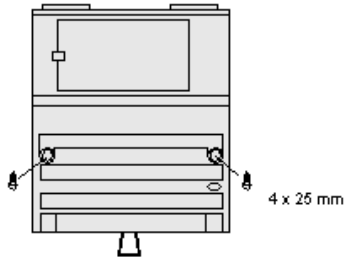
Warranty period	18 months
-----------------	-----------

Standard Adapter on a Typical Base

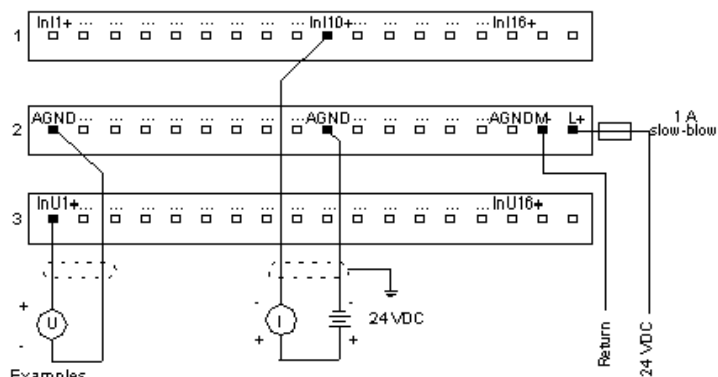
Dimensions



Mounting on a Wall



External Wiring Diagram



Examples

- * Channel 1, wired for voltage input
- * Channel 10, wired for current input

Internal Pin Connections

