



Main

Range of product	Modicon Momentum automation platform
Product or component type	Analogue input base
Analogue input number	8
Analogue input type	Differential
Analogue input range	+/- 10 V 14 bits + sign > 0.1 kOhm +/- 20 mA 14 bits + sign 250 kOhm +/- 5 V 14 bits + sign > 0.1 kOhm 1...5 V 15 bits + sign > 0.1 kOhm 4...20 mA 15 bits + sign 250 kOhm

Complementary

Data format	Full 16 bits signed
Absolute accuracy error	+/- 0.13 % full scale 25 °C 1...5 V +/- 0.19 % full scale 60 °C 1...5 V +/- 0.21 % full scale 25 °C +/- 5 V +/- 0.26 % full scale 60 °C +/- 5 V +/- 0.27 % full scale 25 °C +/- 10 V +/- 0.27 % full scale 25 °C 4...20 mA +/- 0.32 % full scale 25 °C +/- 20 mA +/- 0.32 % full scale 60 °C +/- 10 V +/- 0.38 % full scale 60 °C 4...20 mA +/- 0.41 % full scale 60 °C +/- 20 mA
Conversion time	<= 12 ms 8
Isolation between channels	+/- 200 V DC for 1 minute
Isolation between channels and ground	500 V AC for 1 minute
Isolation between channels and bus	500 V AC for 1 minute
Permissible common mode voltage	100 V 47...63 Hz DC between channels to ground 250 V 47...63 Hz AC between channels to ground
Common mode rejection	> 80 dB between channels to ground
External power requirement	< 382 mA DC 20.4...28.8 V DC

Disclaimer: This documentation is not intended as a substitute for and is not to be used for determining suitability or reliability of these products for specific user applications

	24 V DC
Reverse polarity protection	Internal
Marking	CE
Local signalling	1 LED green ready 8 LEDs channel status
Electrical connection	2 connectors for removable terminal blocks
Depth	47.5 mm
Height	125 mm
Width	141.5 mm
Product weight	0.215 kg

Environment

Standards	EN 50081-2 IEC 1131
Product certifications	CSA FM Class 1 Division 2 UL
Protective treatment	TC
Resistance to electrostatic discharge	4 kV contact IEC 801-2 8 kV on air IEC 801-2
Resistance to electromagnetic fields	10 V/m 80...1000 MHz IEC 801-3
Ambient air temperature for operation	0...60 °C
Ambient air temperature for storage	-40...85 °C
Relative humidity	95 % without condensation
Operating altitude	<= 5000 m

Offer Sustainability

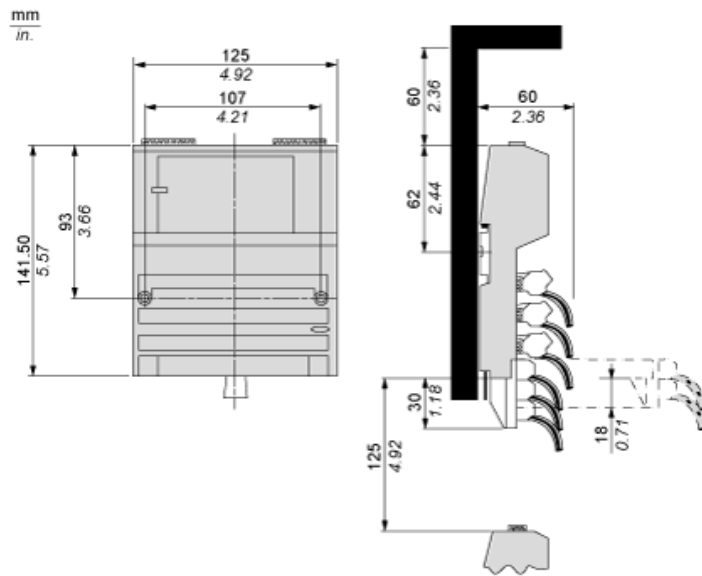
Sustainable offer status	Green Premium product
RoHS (date code: YYWW)	Compliant - since 1350 - Schneider Electric declaration of conformity Schneider Electric declaration of conformity
REACH	Reference not containing SVHC above the threshold Reference not containing SVHC above the threshold
Product environmental profile	Available Product Environmental Profile
Product end of life instructions	Available End of Life Information

Contractual warranty

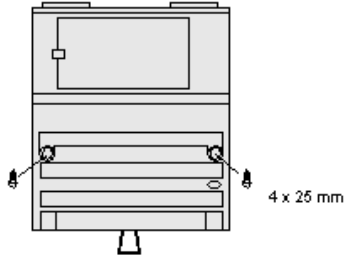
Warranty period	18 months
-----------------	-----------

Standard Adapter on a Typical Base

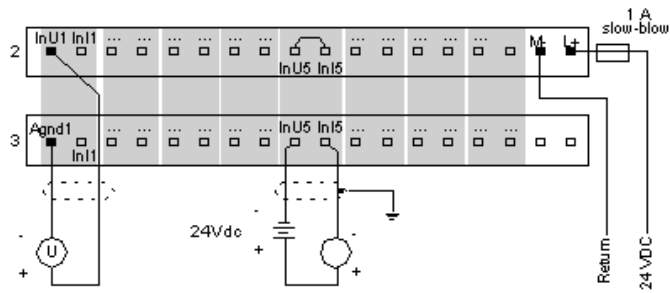
Dimensions



Mounting on a Wall



External Wiring Diagram



Examples

- * Channel 1, wired for voltage input
- * Channel 5, wired for current input

Internal Pin Connections

