

Main

Range of product	Harmony 9001K
Product or component type	Mushroom head push-button
Product compatibility	Contact block 9001KA..
Device short name	9001K
Type of operator	Spring return
Operator profile	Green mushroom Ø 40 mm unmarked

Complementary

Bezel material	Chromium plated metal
Mounting diameter	30 mm
CAD overall width	45.5 mm
CAD overall height	45 mm
CAD overall depth	70 mm
Product weight	0.141 kg
Operating position	Any position
Shape of signaling unit head	Round
Head material	Metal
Operator additional information	Screw-in with set screw security
Operator position information	2 positions
Contacts type and composition	Without contact block
Mechanical durability	5000000 cycles
Device presentation	Basic element

Environment

Protective treatment	TC
Ambient air temperature for storage	-40...70 °C
Ambient air temperature for operation	-25...70 °C
Overvoltage category	Class II conforming to IEC 61140
IP degree of protection	IP66 conforming to IEC 60529
NEMA degree of protection	NEMA 1 NEMA 12 NEMA 13

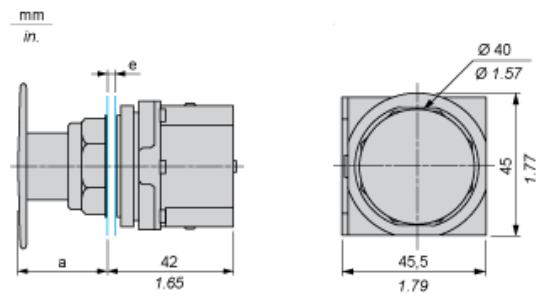
NEMA 2
NEMA 3
NEMA 3R
NEMA 4
NEMA 6

Standards	CSA C22.2 No 14 EN/IEC 60947-5-1 EN/IEC 60947-1 EN/IEC 60947-5-4 JIS C 4520 JIS C 852 UL 508
Product certifications	NEMA UL 508
Vibration resistance	7 gn (f = 2...500 Hz) conforming to IEC 60068-2-6
Shock resistance	50 gn conforming to IEC 60068-2-27

Contractual warranty

Warranty period	18 months
-----------------	-----------

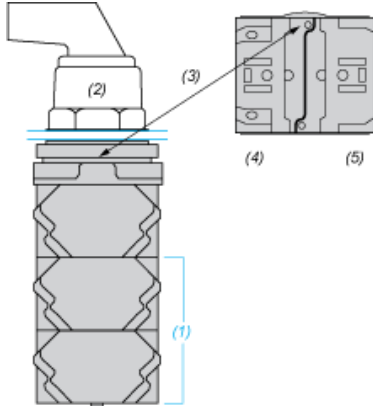
Dimensions



e panel thickness: 1 to 6 mm / 0.04 to 0.24 in.
a 32 mm / 1.26 in.

Contact Block Mounting Position

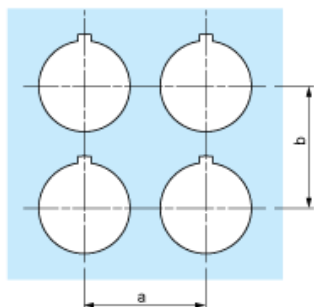
Top and Rear views



- (1) It is possible to mount up to 3 levels of contacts blocks (maximum of 6 contacts blocks)
- (2) Operator
- (3) Locating notch
- (4) Side 1
- (5) Side 2

Panel Cut-Out

Clearance



Legend plate	a min.		b min.	
	mm	in.	mm	in.
9001KN2••	57.2	2.25	44.5	1.75
9001KN3••	57.2	2.25	50.8	2.00

Individual Cut-outs Details

2 alternatives

mm
in.

