



### Main

Range of product	Harmony 9001SK
Product or component type	Mushroom head push-button
Device short name	9001SK
Type of operator	Push-pull
Operator profile	Red mushroom Ø 41 mm unmarked
Operator additional information	Screw-on plastic mushroom

### Complementary

Bezel material	Plastic
Mounting diameter	30 mm
CAD overall width	46 mm
CAD overall height	45 mm
CAD overall depth	69 mm
Product weight	0.159 kg
Operating position	Any position
Shape of signaling unit head	Round
Operator position information	2 positions
Contacts type and composition	1 C/O
Positive opening	Without
Mechanical durability	5000000 cycles
Connections - terminals	Screw clamp terminals (1 x 0.22...2 x 1.5 mm <sup>2</sup> ) conforming to EN/IEC 60947-1
Tightening torque	0.8 N.m conforming to EN/IEC 60947-1
Shape of screw head	Cross slotted head
Contacts material	Silver alloy contacts
Short-circuit protection	10 A cartridge fuse conforming to EN/IEC 60947-5-1
[I <sub>th</sub> ] conventional free air thermal current	10 A
[U <sub>i</sub> ] rated insulation voltage	250 V (degree of pollution: 3) conforming to EN/IEC 60947-1
[U <sub>imp</sub> ] rated impulse withstand voltage	2.5 kV conforming to EN/IEC 60947-1
[I <sub>e</sub> ] rated operational current	3 A at 240 V AC-15, A600-Q600 conforming to NEMA 0.55 A at 125 V DC-13, A600-Q600 conforming to NEMA

Disclaimer: This documentation is not intended as a substitute for and is not to be used for determining suitability or reliability of these products for specific user applications

[Icm] rated short-circuit making capacity	<= 0.1 kA at 600 V DC-13 <= 12 kA at 600 V AC-15, 7200 VA <= 15 kA at 480 V AC-15, 7200 VA <= 30 kA at 240 V AC-15, 7200 VA <= 60 kA at 120 V AC-15, 7200 VA <= 0.27 kA at 250 V DC-13 <= 0.55 kA at 125 V DC-13
Rated breaking capacity	<= 3 kA at 120 V AC-15, 720 VA <= 6 kA at 600 V AC-15, 720 VA <= 0.1 kA at 125 V DC-13 <= 0.27 kA at 600 V DC-13 <= 0.55 kA at 250 V DC-13 <= 1.2 kA at 480 V AC-15, 720 VA <= 1.5 kA at 240 V AC-15, 720 VA
Compatibility code	9001SK
Device presentation	Complete product

## Environment

Protective treatment	TC
Ambient air temperature for storage	-40...70 °C
Ambient air temperature for operation	-25...70 °C
Overvoltage category	Class II conforming to IEC 61140
IP degree of protection	IP66 conforming to IEC 60529
NEMA degree of protection	NEMA 1 NEMA 12 NEMA 13 NEMA 2 NEMA 3 NEMA 3R NEMA 4 NEMA 4X
Standards	CSA C22.2 No 14 EN/IEC 60947-5-1 EN/IEC 60947-1 EN/IEC 60947-5-4 JIS C 4520 JIS C 852 UL 508
Product certifications	NEMA UL 508
Vibration resistance	7 gn (f = 2...500 Hz) conforming to IEC 60068-2-6
Shock resistance	50 gn conforming to IEC 60068-2-27

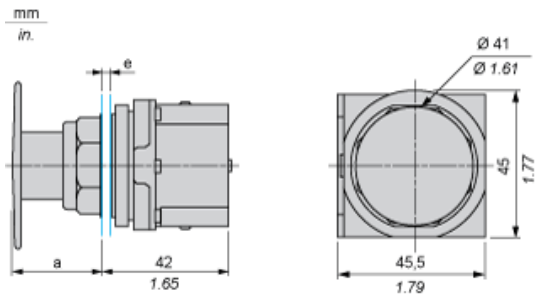
## Offer Sustainability

RoHS (date code: YYWW)	Compliant - since 0921 - Schneider Electric declaration of conformity <a href="#">Schneider Electric declaration of conformity</a>
REACH	Reference not containing SVHC above the threshold <a href="#">Reference not containing SVHC above the threshold</a>

## Contractual warranty

Warranty period	18 months
-----------------	-----------

Dimensions



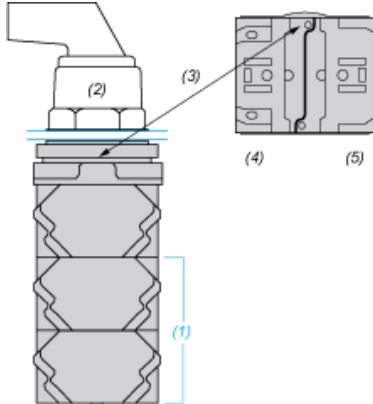
e panel thickness: 1 to 6 mm / 0.04 to 0.24 in.  
a 32 mm / 1.26 in.

---

Contact Block Mounting Position

---

Top and Rear views



- (1) It is possible to mount up to 3 levels of contacts blocks (maximum of 6 contacts blocks)
- (2) Operator
- (3) Locating notch
- (4) Side 1
- (5) Side 2