



### Main

Range of product	Harmony 9001SK
Product or component type	Complete pushbutton
Device short name	9001SK
Type of operator	Spring return
Operator profile	Flush, black marking: unmarked

### Complementary

Bezel material	Plastic
Mounting diameter	30 mm
Shape of signaling unit head	Octagonal
Connections - terminals	Screw clamp terminals 1 x 0.22...2 x 1.5 mm <sup>2</sup> conforming to EN/IEC 60947-1
Tightening torque	0.8 N.m conforming to EN/IEC 60947-1
Shape of screw head	Cross slotted
Mechanical durability	5000000 cycles
Operating position	Any position
[Ie] rated operational current	0.55 A at 125 V DC-13, A600-Q600 3 A at 240 V AC-15, A600-Q600
[Ui] rated insulation voltage	250 V, degree of pollution: 3 conforming to EN/IEC 60947-1
[Uimp] rated impulse withstand voltage	2.5 kV conforming to EN/IEC 60947-1
Contacts material	Silver alloy contacts
Positive opening	Without
Short circuit protection	10 A cartridge fuse conforming to EN/IEC 60947-5-1
[Ith] conventional free air thermal current	10 A
[Icm] rated short-circuit making capacity	<= 60 kA at 120 V AC-15, 7200 VA <= 30 kA at 240 V AC-15, 7200 VA <= 15 kA at 480 V AC-15, 7200 VA <= 12 kA at 600 V AC-15, 7200 VA
Rated breaking capacity	<= 1.5 kA at 480 V AC-15, 720 VA <= 1.2 kA at 600 V AC-15, 720 VA <= 0.27 kA at 250 V DC-13 <= 0.1 kA at 600 V DC-13 <= 6 kA at 125 V DC-13, 720 VA <= 6 kA at 120 V AC-15, 720 VA <= 3 kA at 240 V AC-15, 720 VA
Product weight	0.086 kg

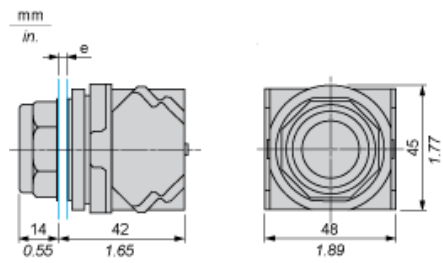
## Environment

Standards	CSA C22-2 No 14 EN/IEC 60947-1 EN/IEC 60947-5-1 EN/IEC 60947-5-4 JIS C 4520 JIS C 852 UL 508
Product certifications	NEMA UL 508
Protective treatment	TC
Ambient air temperature for storage	-40...70 °C
Ambient air temperature for operation	-25...70 °C
Vibration resistance	7 gn (f = 2...500 Hz) conforming to IEC 60068-2-6
Shock resistance	50 gn conforming to IEC 60068-2-27
Class of protection against electric shock	Class II conforming to IEC 61140
IP degree of protection	IP66 conforming to IEC 60529
NEMA degree of protection	NEMA 4X NEMA 4 NEMA 3R NEMA 3 NEMA 2 NEMA 13 NEMA 12 NEMA 1

## Offer Sustainability

Sustainable offer status	Not Green Premium product
RoHS	Compliant - since 0921 - Schneider Electric declaration of conformity <a href="#">download declaration of conformity</a>

Dimensions



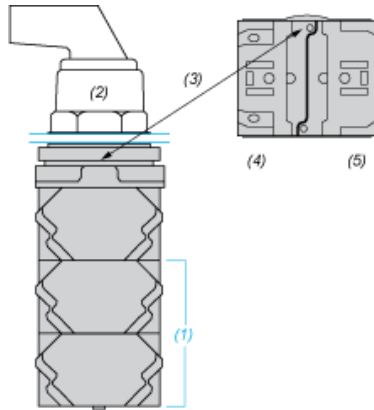
e panel thickness: 1 to 6 mm / 0.04 to 0.24 in.

---

Contact Block Mounting Position

---

Top and Rear views



- (1) It is possible to mount up to 3 levels of contacts blocks (maximum of 6 contacts blocks)
- (2) Operator
- (3) Locating notch
- (4) Side 1
- (5) Side 2