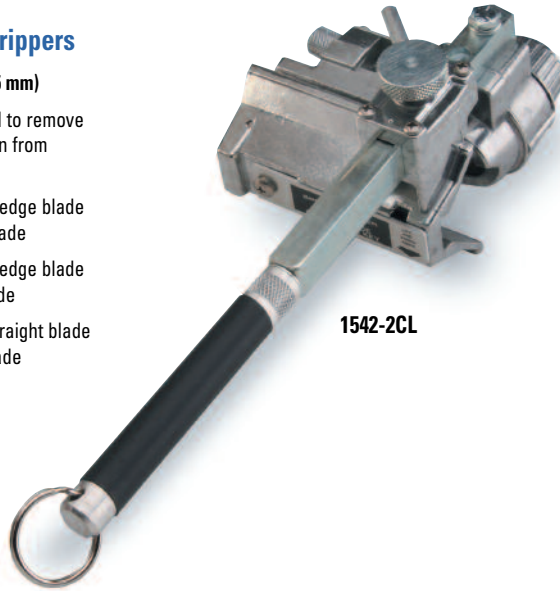


1542-2CL Series Insulation Strippers

Cable O.D. Range 1/2" - 1-3/4" (12.7 - 44.5 mm)

The 1542-2CL Series Stripper is designed to remove PE, XLP, EPR and other types of insulation from medium voltage power cable.

- 1542-2CL** Speed Stripper tool with wedge blade installed, spare straight blade
- 1542-2CL-1** Speed Stripper tool with wedge blade installed, spare wedge blade
- 1542-2CL-2** Speed Stripper tool with straight blade installed, spare straight blade



1542-2CL

Features:

- Strips cable insulation
- Precise blade depth adjustment
- Maximizes reliability of installation
- Provides greater speed and increased safety
- No bushings required

KV Class	Conductor Size
5kV	1000 MCM and smaller
15kV	750 MCM and smaller
25kV	350 MCM and smaller
35kV	3/0 and smaller

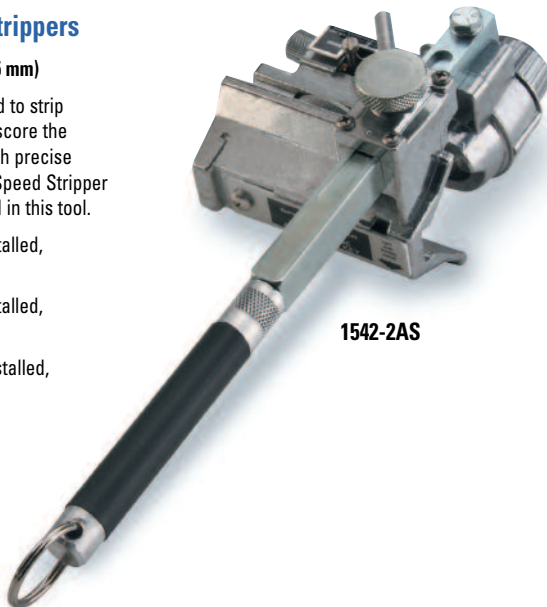
For larger cables not shown, refer to Mark I, Mark II and Mark III tools

1542-2AS Series Insulation Strippers

Cable O.D. Range 1/2" - 1-3/4" (12.7 - 44.5 mm)

The 1542-2AS Series Stripper is designed to strip insulation from power cable, as well as score the cable's semi-conductive outer shield with precise accuracy. The features of the 1542-2CL Speed Stripper and 1700 Semi-Con Scorer are combined in this tool.

- 1542-2AS** Tool with wedge blade installed, spare straight blade
- 1542-2AS-1** Tool with wedge blade installed, spare wedge blade
- 1542-2AS-2** Tool with straight blade installed, spare straight blade



1542-2AS

Features:

- Strips cable insulation
- Precise blade depth adjustment
- Maximizes reliability of installation
- Provides greater speed and increased safety
- No bushings required
- Dual functions - strips cable insulation and scores semi-con
- Adjustable semi-con scoring .001" to .090"
- Combines features of 1542-2CL Speed Stripper and 1700 Semi-Con Scorer

KV Class	Conductor Size
5kV	1000 MCM and smaller
15kV	750 MCM and smaller
25kV	350 MCM and smaller
35kV	3/0 and smaller

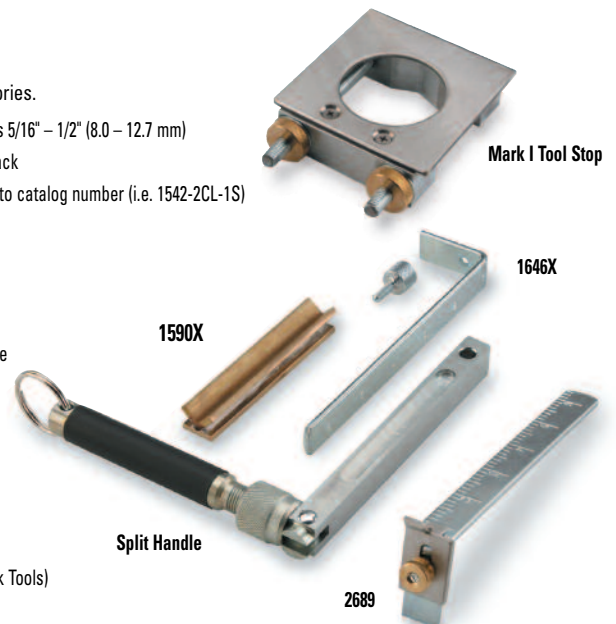
For larger cables not shown, refer to Mark I, Mark II and Mark III tools



Insulation Stripper Accessories

Speed Systems offers a complete line of replacement blades, tool stops and accessories.

- 1590X** Small cable adapter for cables 5/16" - 1/2" (8.0 - 12.7 mm)
- 1646X** Scale gauge measures stripback
- Split Handle** Optional folding handle add S to catalog number (i.e. 1542-2CL-1S)
- 1562** Wedge blade
- 1581** Straight blade
- 1678** Scoring blade
- 2689** Chamfering tool/scale gauge
- 2672** Replacement chamfering blade
- 1650X** Tool stop (1542 series tools)
- Mark I Tool Stop** Tool stop
- Mark II Tool Stop** Tool stop
- A011** Wedge blade (Mark Tools)
- A012** Straight blade (Mark Tools)
- A010** Large blade (Mark Tools)
- A013** Semi-Con shaving blade (Mark Tools)



Mark I Tool Stop

1646X

1590X

Split Handle

2689