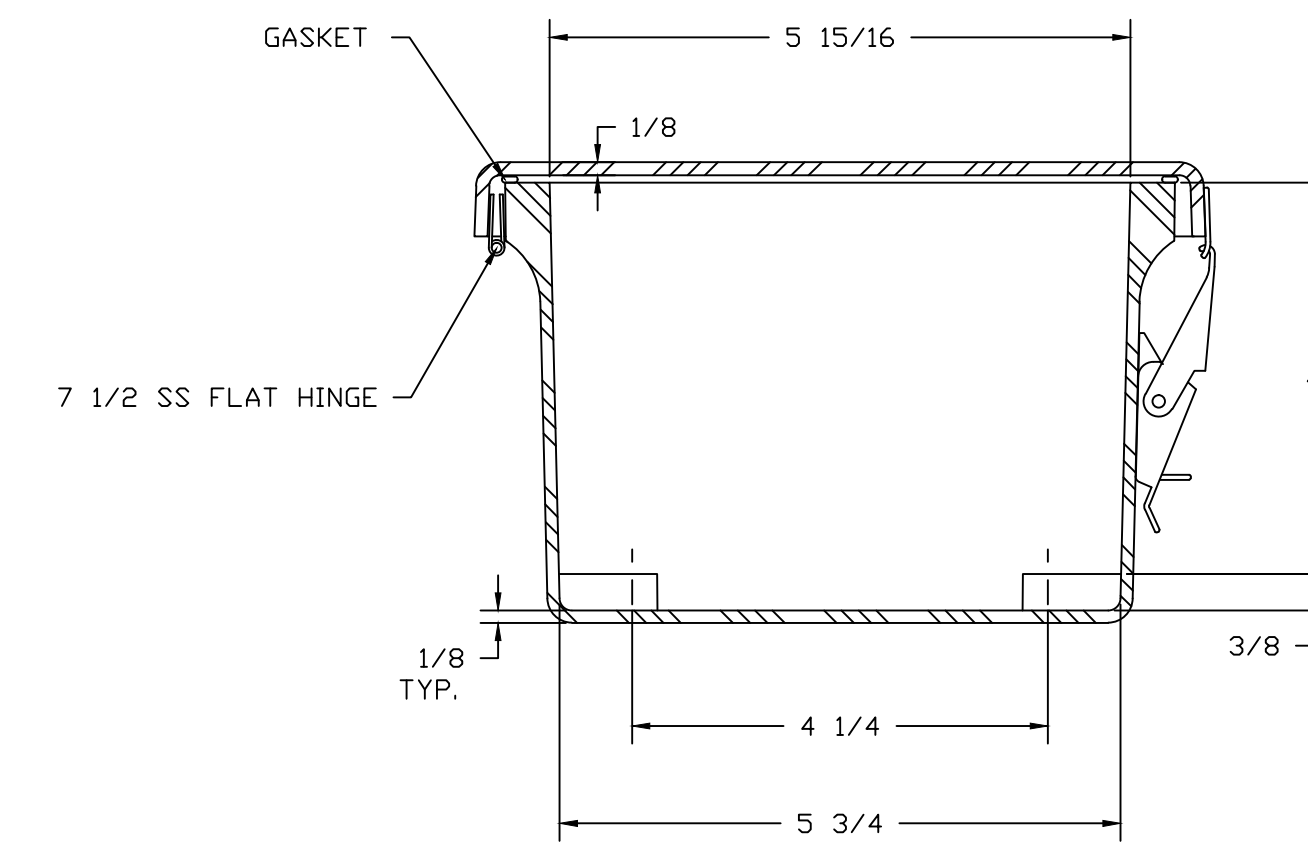
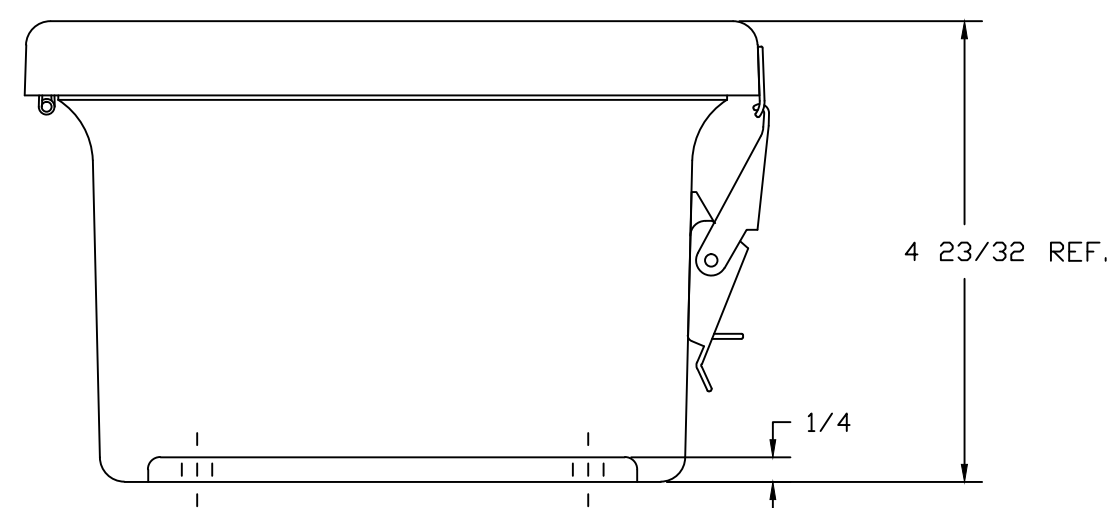



SECTION B-B



SECTION A-A

NOTES:

NEMA 4X		TOLERANCES UNLESS SPECIFIED		DECIMAL ± .010	FRACTIONAL ± 1/32
COLOR WHITE RR3008					
MATERIAL	F.R. POLYESTER FIBERGLASS	DR. BY	SH	DATE	6/25/91
LET.	REVISION RECORD	DATE	BY	CHK. BY	CHD.
				APD. BY	DATE
		SCALE		PART NAME	PART NO.
		DO NOT SCALE		ENCLOSURE	WH-J806HPL



STAHLIN  
ENCLOSURES  
DIVISION OF ROBOBY INDUSTRIES

BELDING, MICHIGAN  
48809

AutoCAD DWG. FILE  
WH-J806HPL