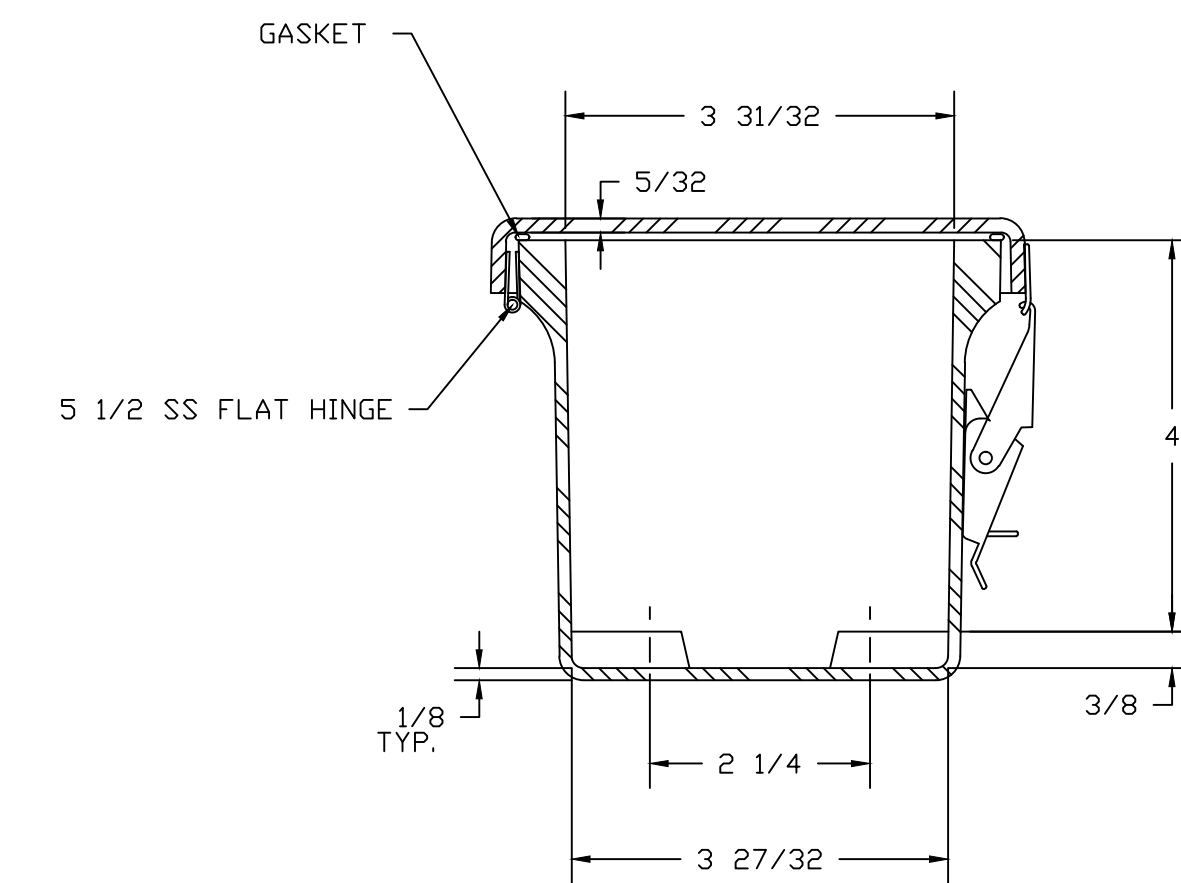
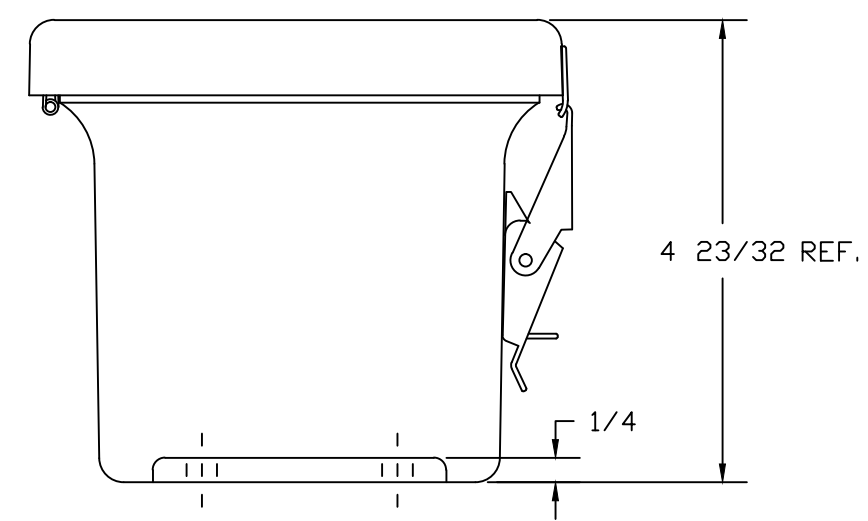



SECTION B-B



SECTION A-A

NOTES:

NEMA 4X		TOLERANCES UNLESS SPECIFIED		DECIMAL ± .010	FRACTIONAL ± 1/32
COLOR WHITE RR3008					
MATERIAL	F.R. POLYESTER FIBERGLASS	DR. BY SH	DATE 6/5/91	 BELDING, MICHIGAN 48809	
LET.	REVISION RECORD	DATE	BY		
		APD. BY	DATE	CUSTOMER	
		SCALE DO NOT SCALE	PART NAME ENCLASURE		PART NO. WH-J604HPL