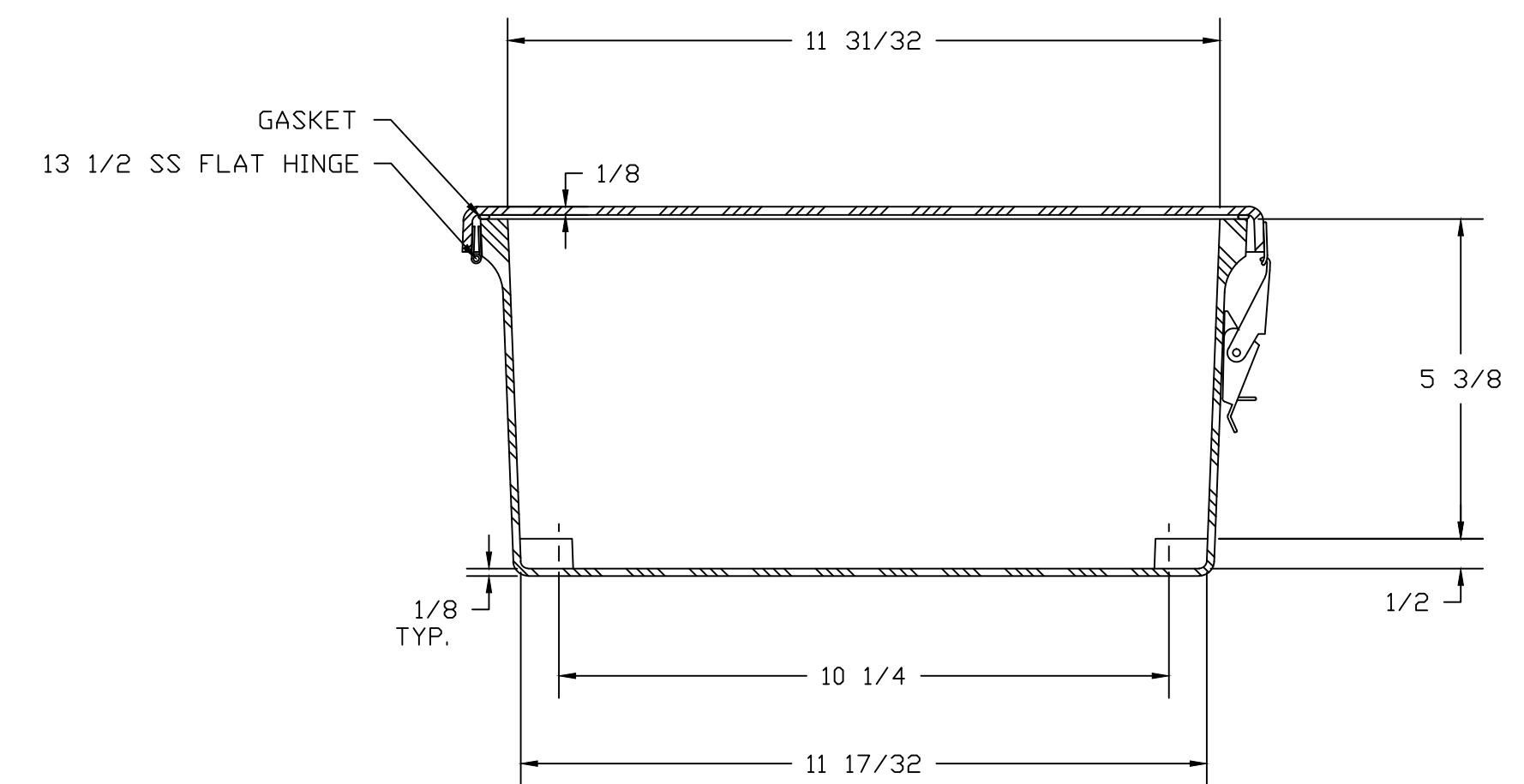
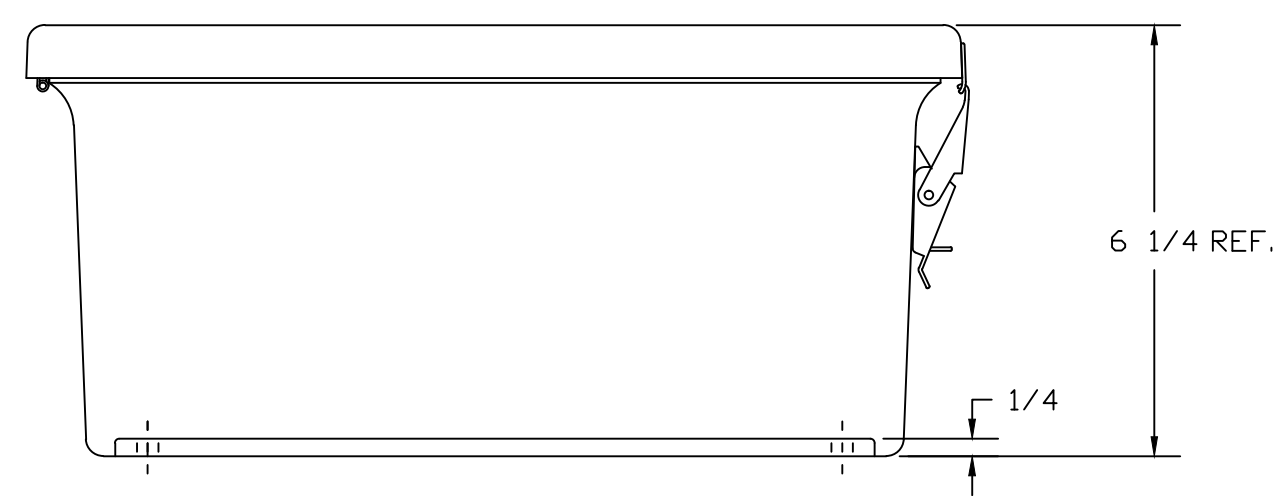


SECTION B-B



SECTION A-A

NOTES:

NEMA 4X		TOLERANCES UNLESS SPECIFIED		DECIMAL ± .010	FRACTIONAL ± 1/32
COLOR: WHITE 3008					
MATERIAL	F.R. POLYESTER FIBERGLASS	DR. BY	SH	DATE	5/13/91
LET.	REVISION RECD	DATE	BY	CHD.	
		APD. BY	DATE	CUSTOMER	
		SCALE DO NOT SCALE		PART NAME ENCLOSURE	PART NO. WH-J1412HPL



BELDING, MICHIGAN 48809

AutoCAD DWG. FILE WH-J1412HPL