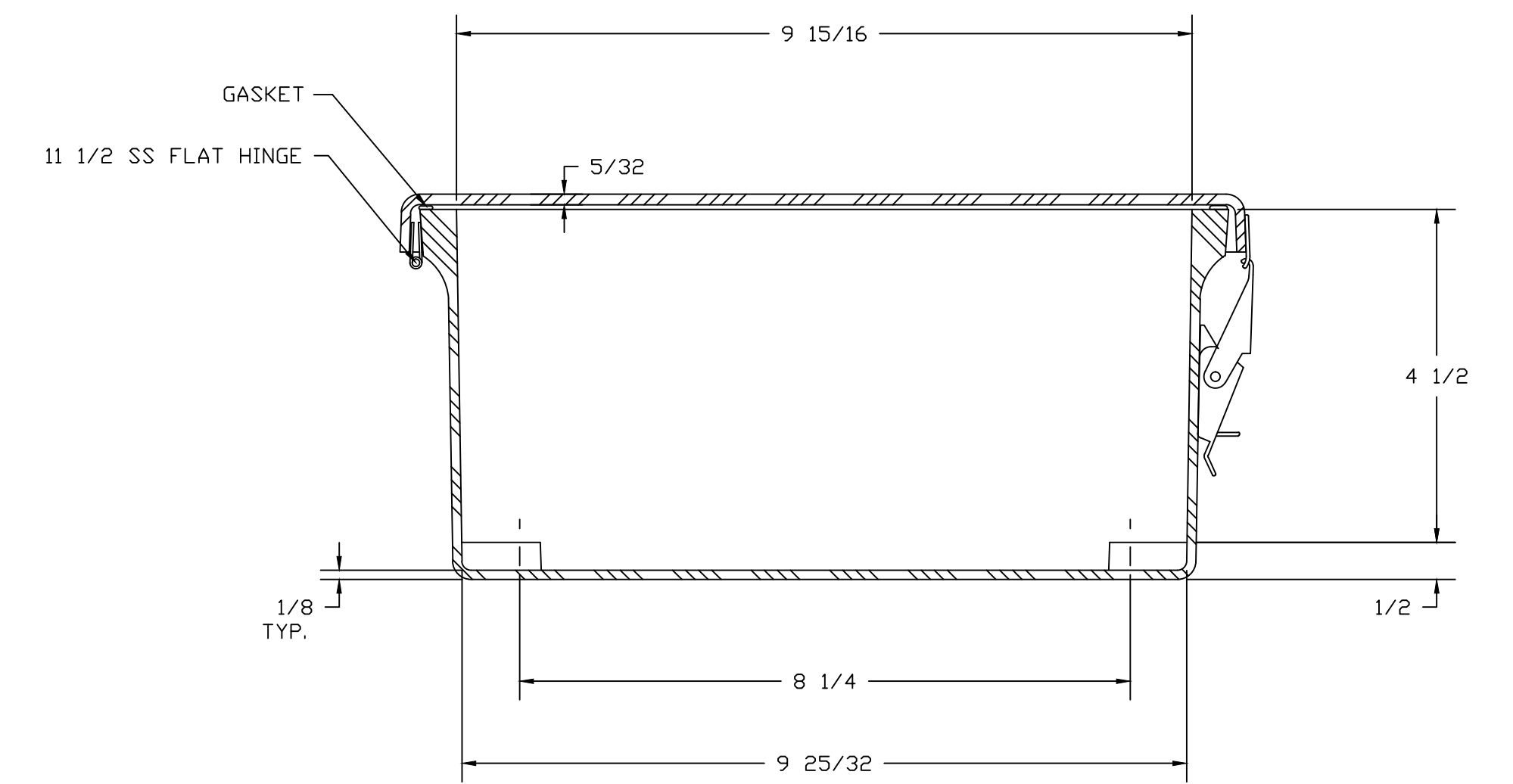
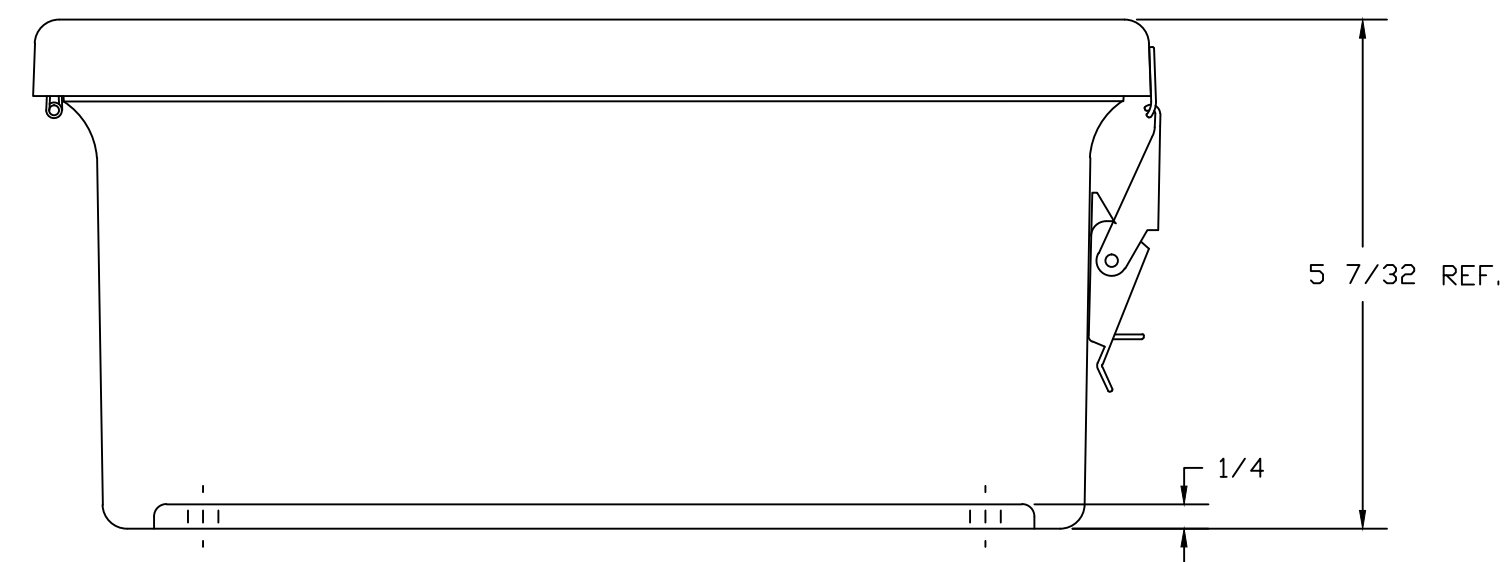



SECTION B-B



SECTION A-A

NEMA 4X		TOLERANCES UNLESS SPECIFIED		DECIMAL ± .010	FRACTIONAL ± 1/32
COLOR WHITE RR3008					
MATERIAL	F.R. POLYESTER FIBERGLASS	DR. BY	DATE	 BELDING, MICHIGAN 48809	
LET.	REVISION RECORD	GF	6/3/91		
		CHK. BY	DATE	AutoCAD DWG. FILE	
		APD. BY	DATE	WH-J1210HPL	
		SCALE	PART NAME	PART NO.	
		DO NOT SCALE	ENCLOSURE	WH-J1210HPL	