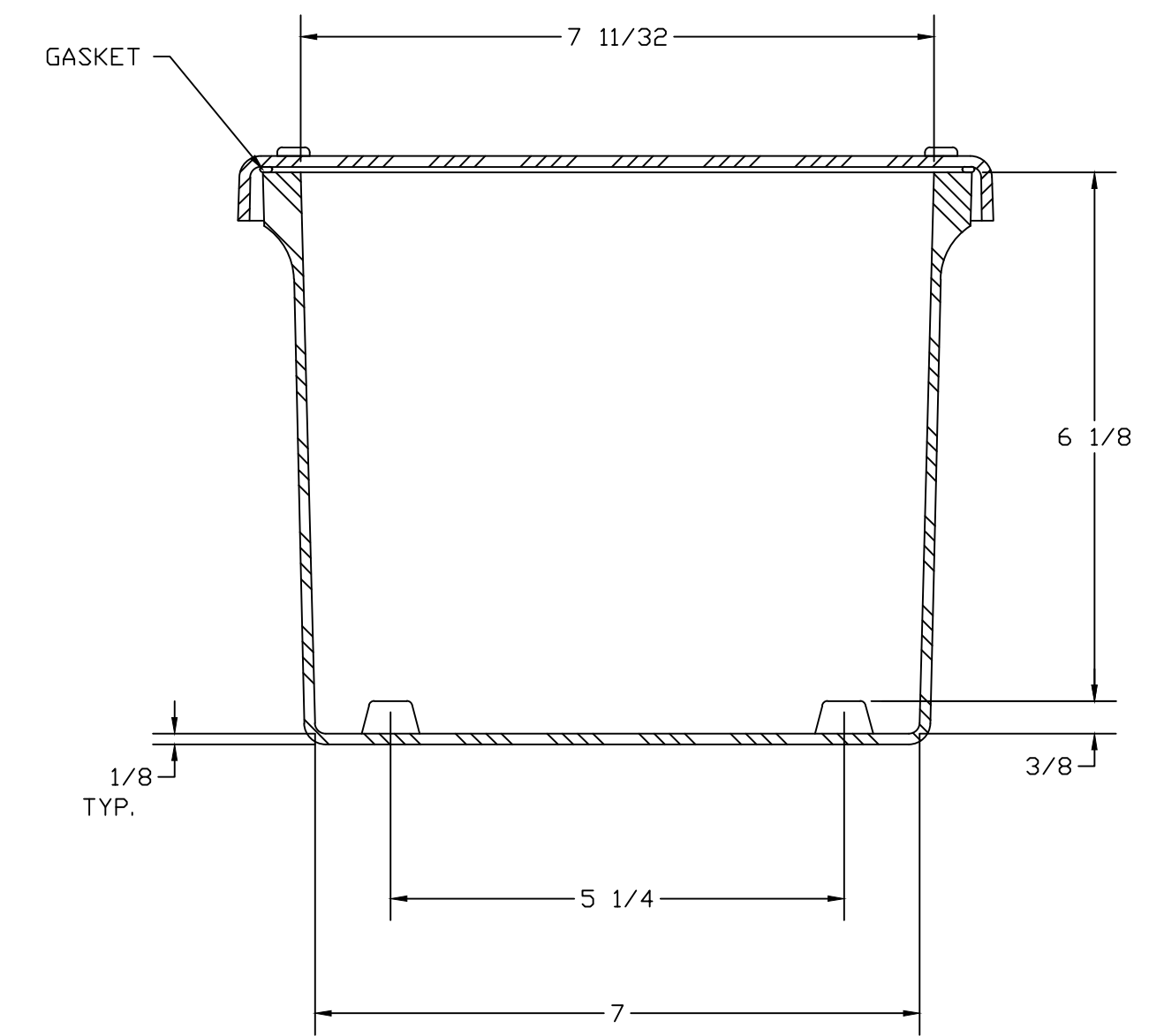
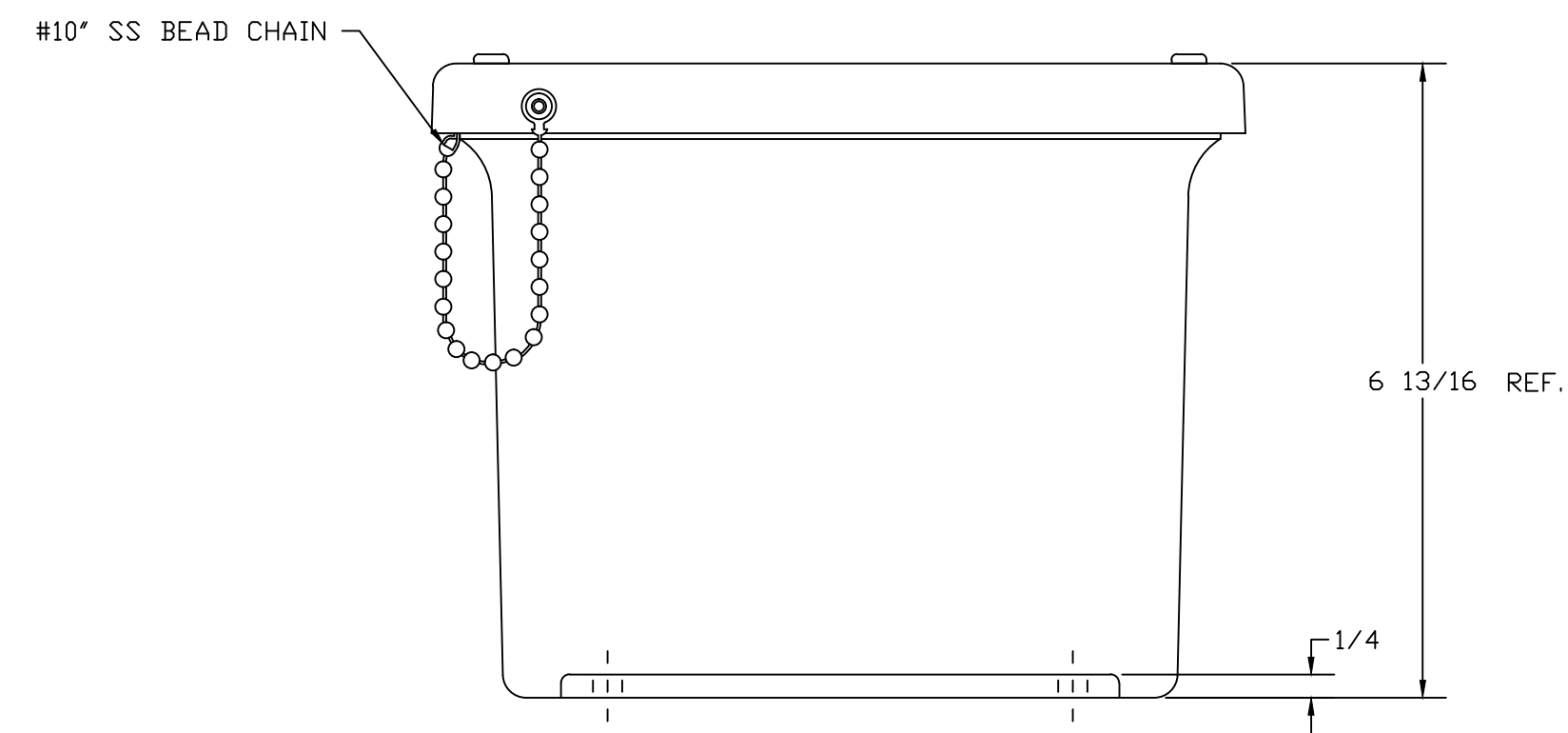


SECTION B-B



SECTION A-A

NOTES:										
NEMA 4X					TOLERANCES UNLESS SPECIFIED		DECIMAL ±.010	FRACTIONAL ± 1/32		
COLOR: GLACIER GRAY RR1013										
MATERIAL			DR. BY	DATE	STAHLIN ENCLOSURES		BELDING, MICHIGAN		AutoCAD DWG FILE	
F.R. POLYESTER FIBERGLASS			SH	6/04/91	DIVISION OF ROBOBY INDUSTRIES		48809		J1407W	
LET.	REVISION RECORD	DATE	BY	CHD.	CHK. BY	DATE	CUSTOMER			
					APD. BY	DATE				
					SCALE		PART NAME	PART NO.		
					DO NOT SCALE		ENCLOSURE	J1407W		