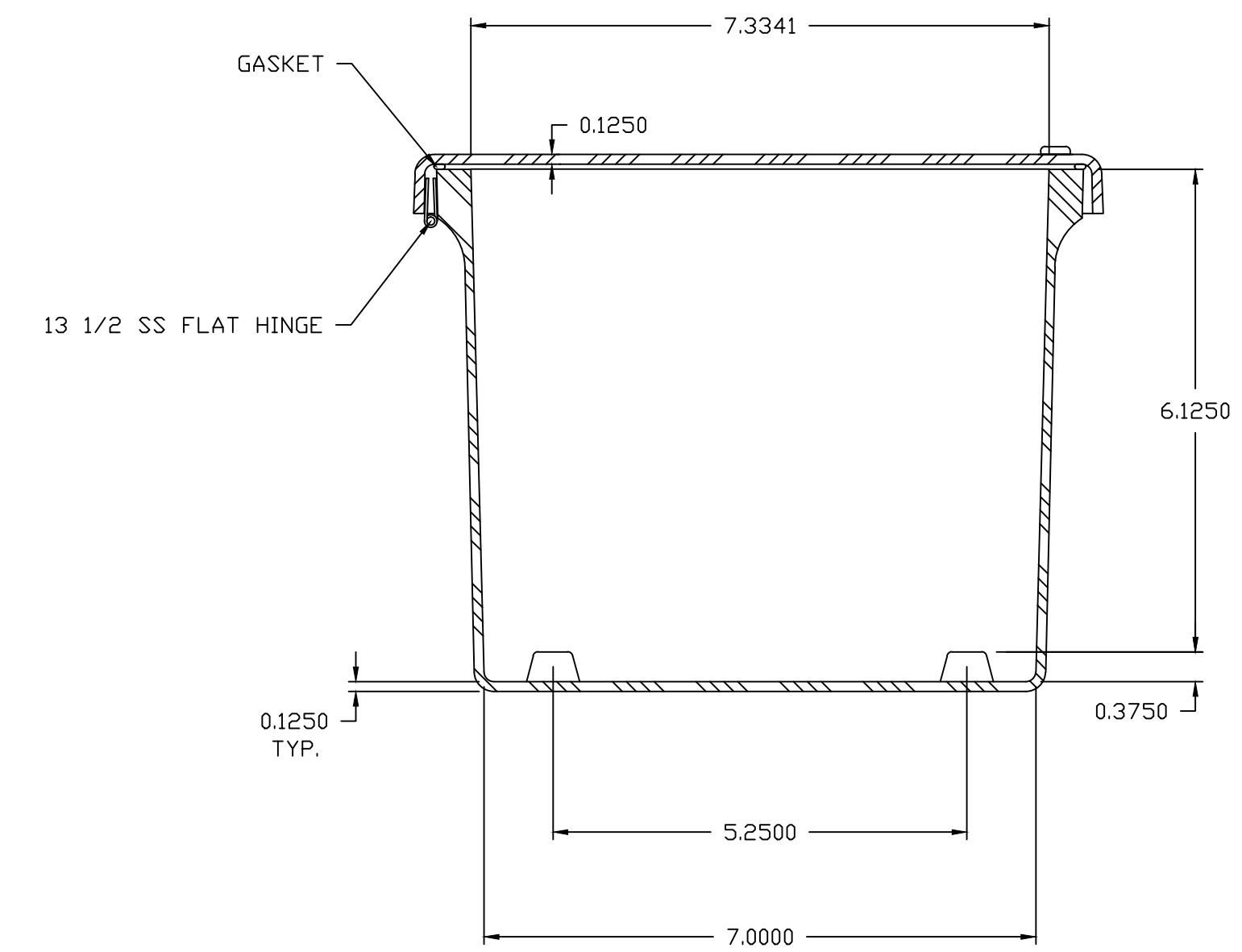
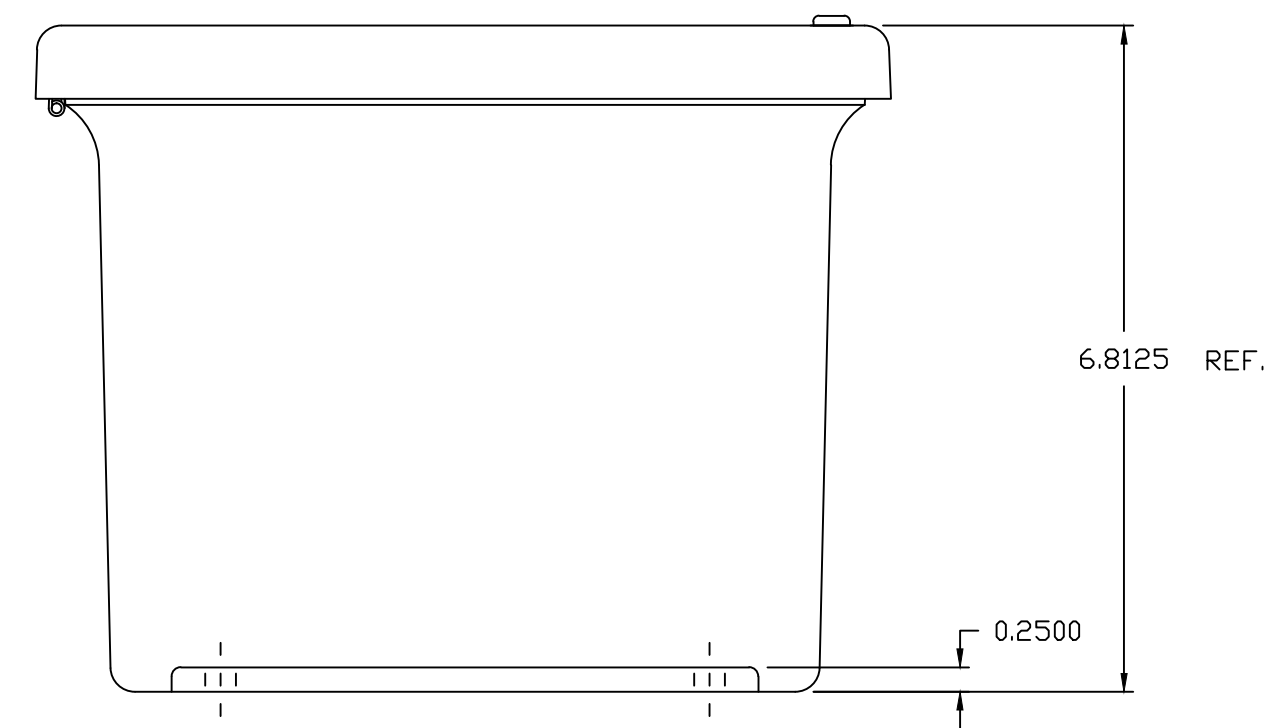



SECTION B-B



SECTION A-A

NOTES:

NEMA 4X				TOLERANCES UNLESS SPECIFIED		DECIMAL ±.010	FRACTIONAL ± 1/32
COLD R GLACIER GRAY RR1013							
MATERIAL		DR. BY	DATE	 STAHLIN ENCLOSURES DIVISION OF ROBBY INDUSTRIES			
F.R. POLYESTER FIBERGLASS		SH	6/13/91				
LET.	REVISION RECORD	DATE	BY	CHD.	CHK. BY	DATE	BELDING, MICHIGAN 48809
					APD. BY	DATE	CUSTOMER
					SCALE	PART NAME	PART NO.
					DO NOT SCALE	ENCLOSURE	J1407HW

AutoCAD DWG. FILE J1407HW