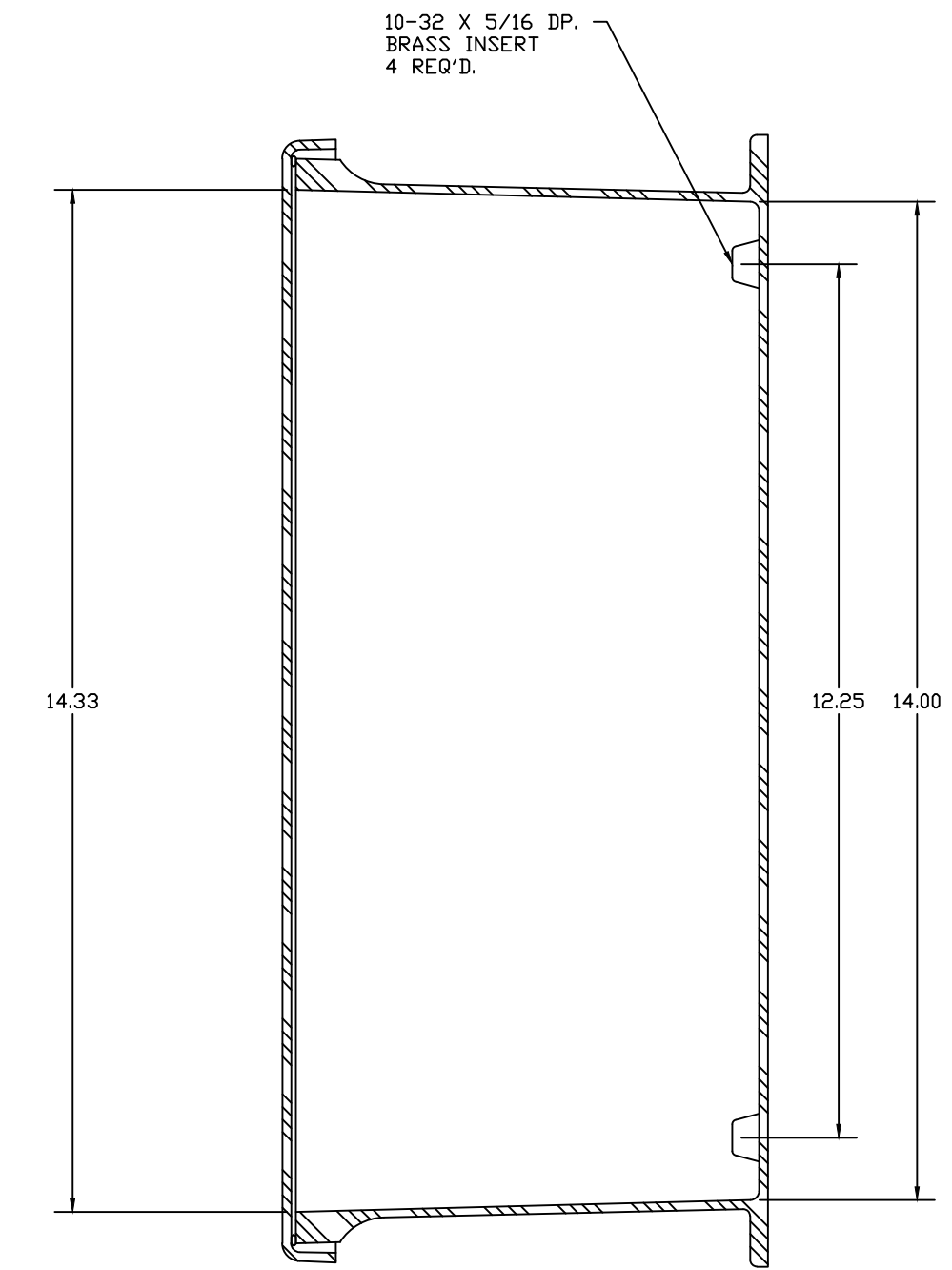
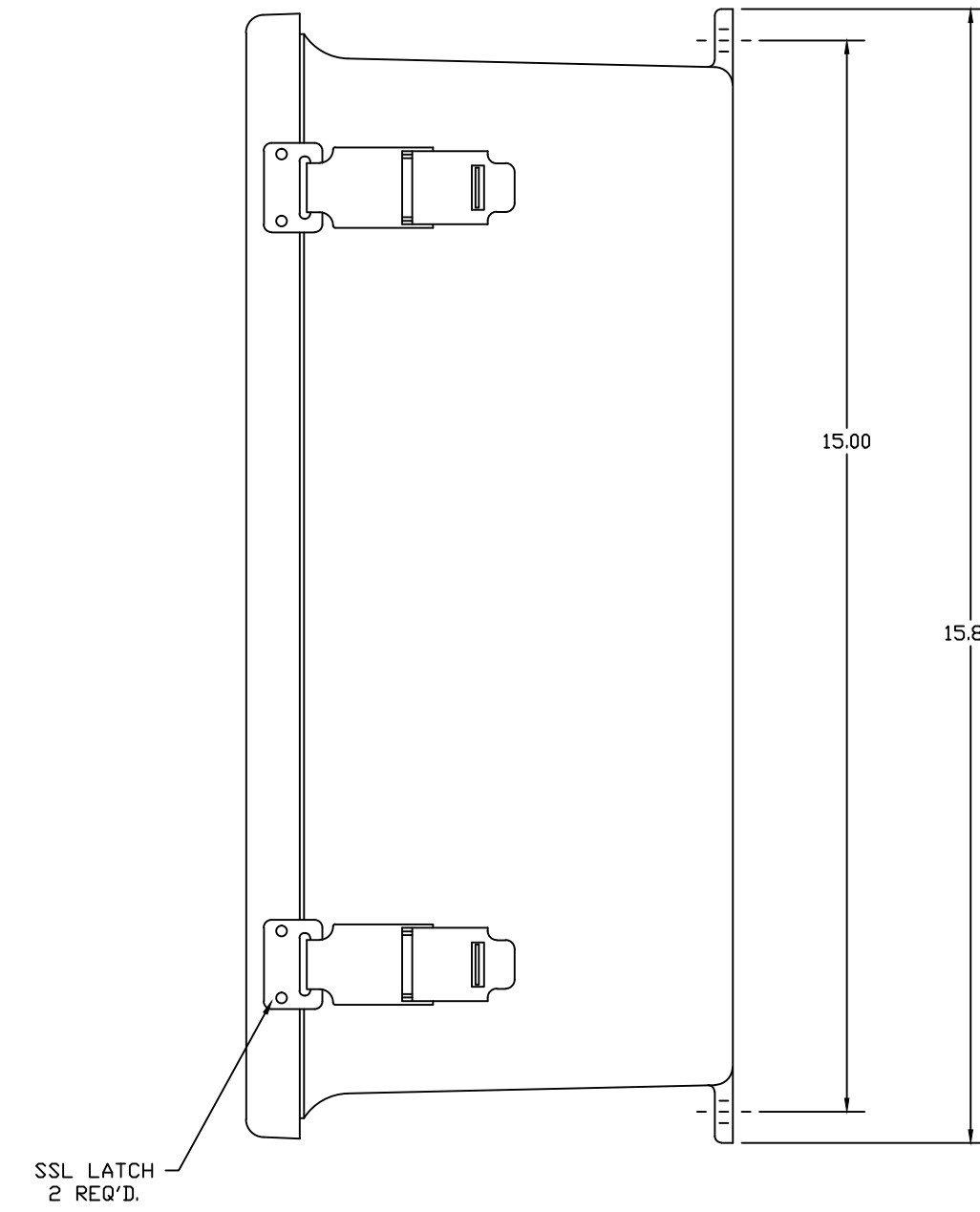
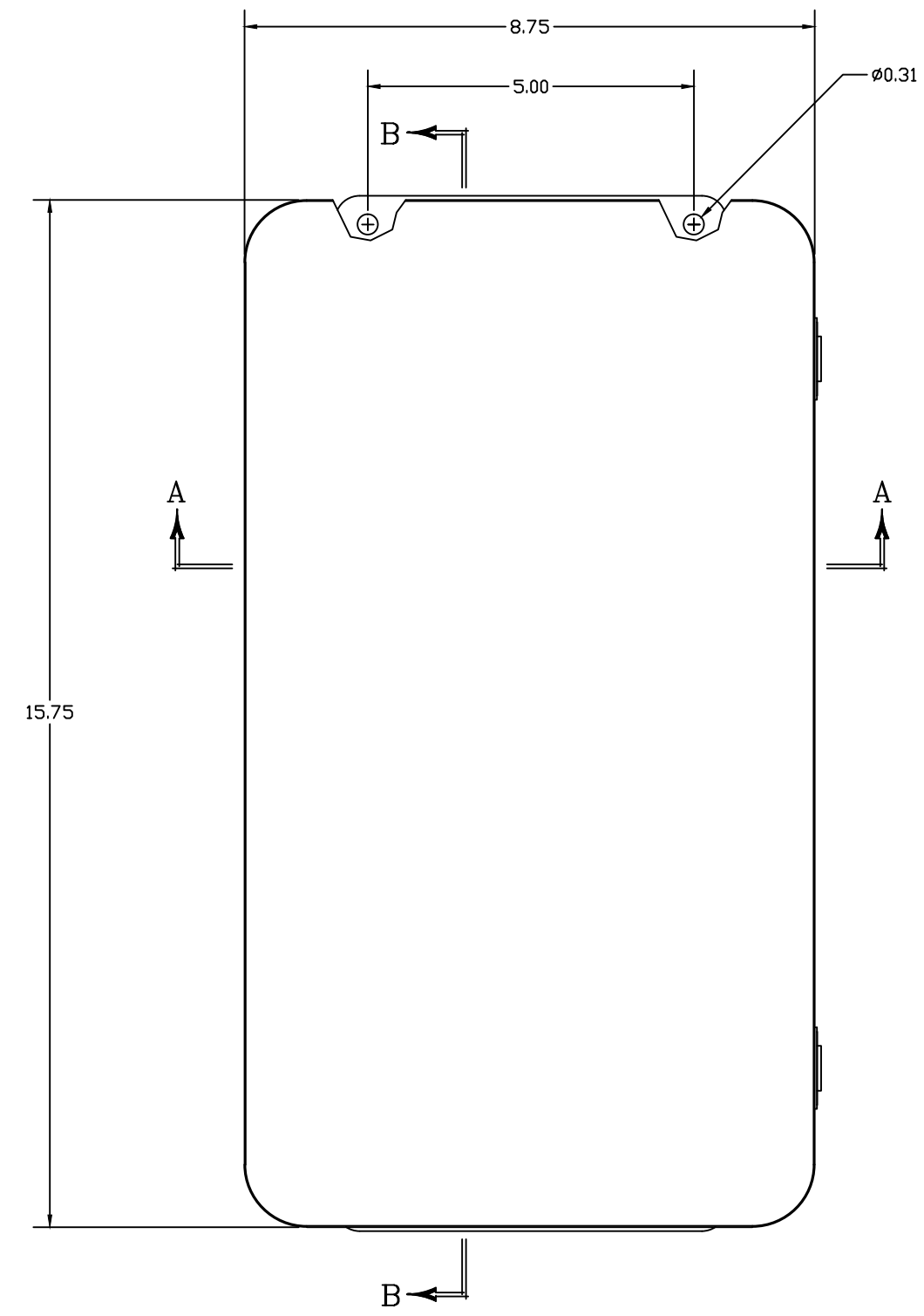
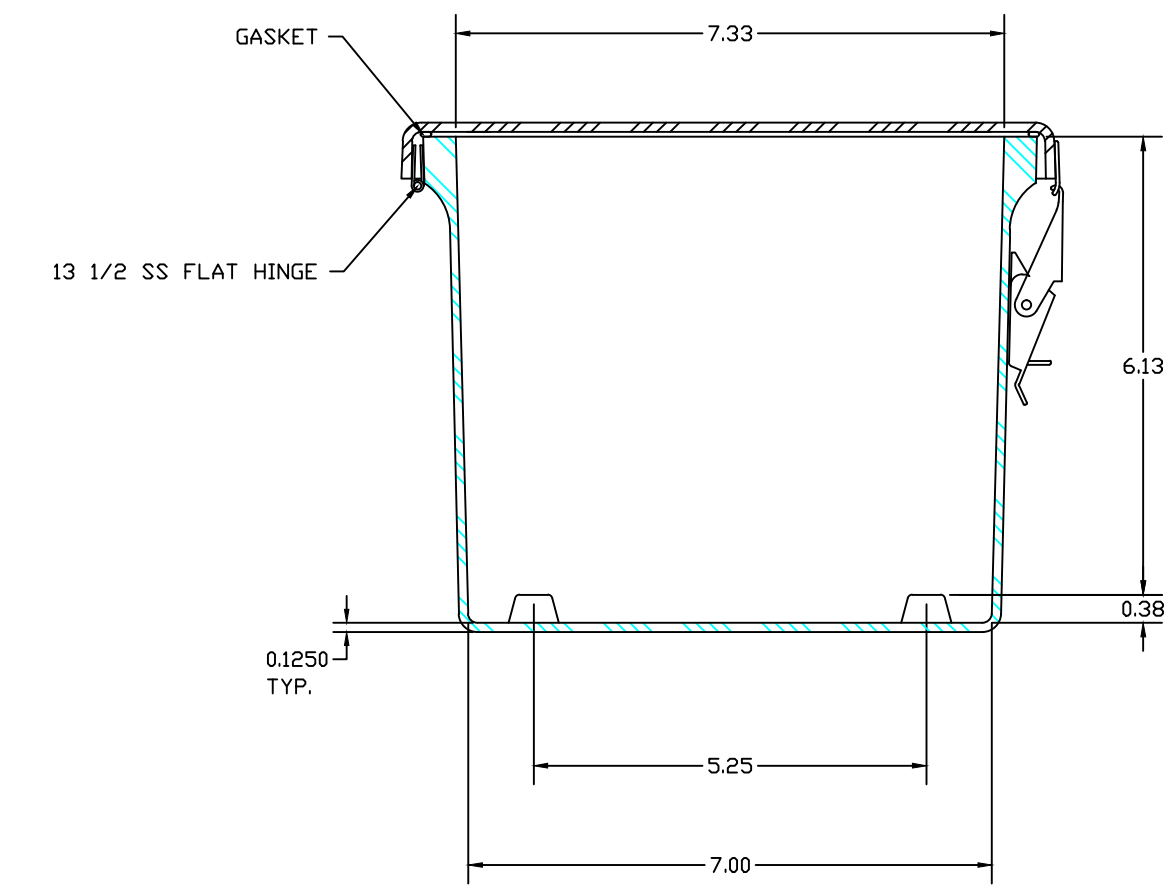
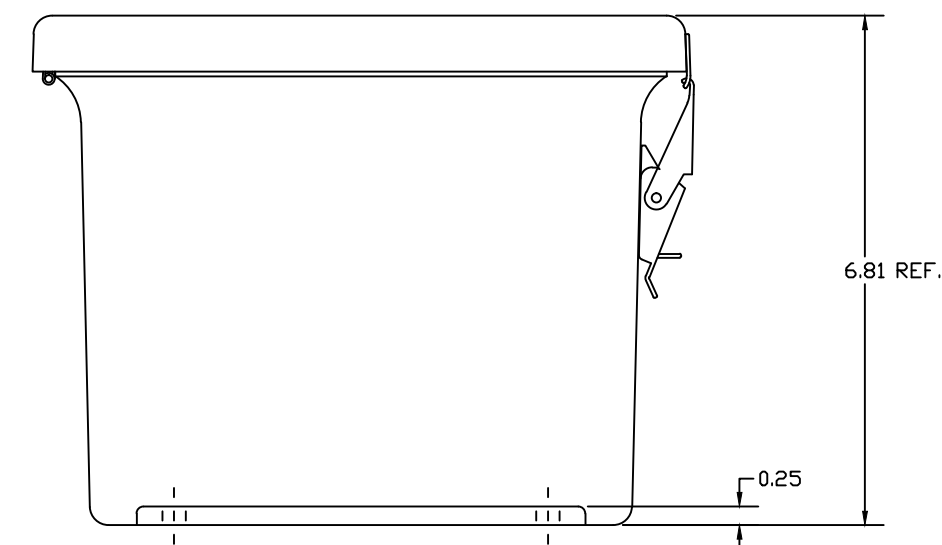


GASKET DETAIL



SECTION B-B



SECTION A-A

NOTES:									
NEMA 4X					TOLERANCES UNLESS SPECIFIED				
COLOR - GLACIER GRAY 3013					DECIMAL ± 0.01		FRACTIONAL ± 1/32		
MATERIAL: F.R. POLYESTER FIBERGLASS									
DR. BY DATE									
APB. BY DATE									
SCALE PART NAME ENCLDURE PART NO. JI407HPL									

**STAHLIN**  
ENCLOSURES  
DIVISION OF ROBOY INDUSTRIES

BELDING, MICHIGAN  
48809

AutoCAD DWG FILE  
JI407HPL