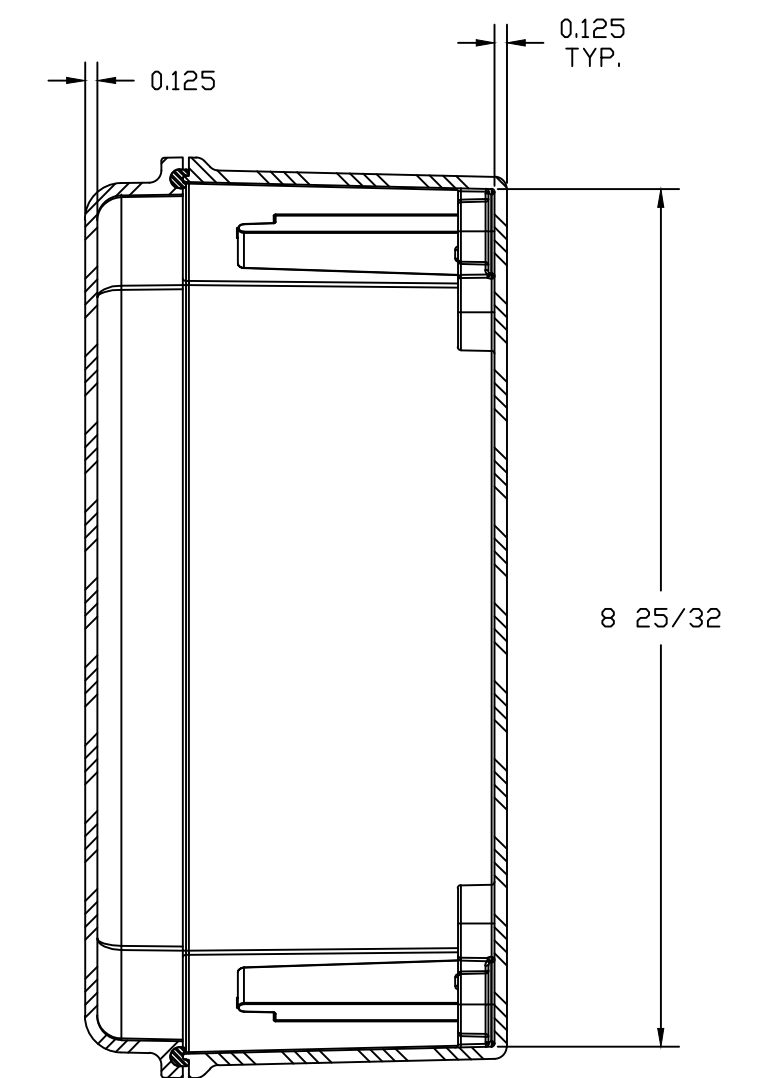
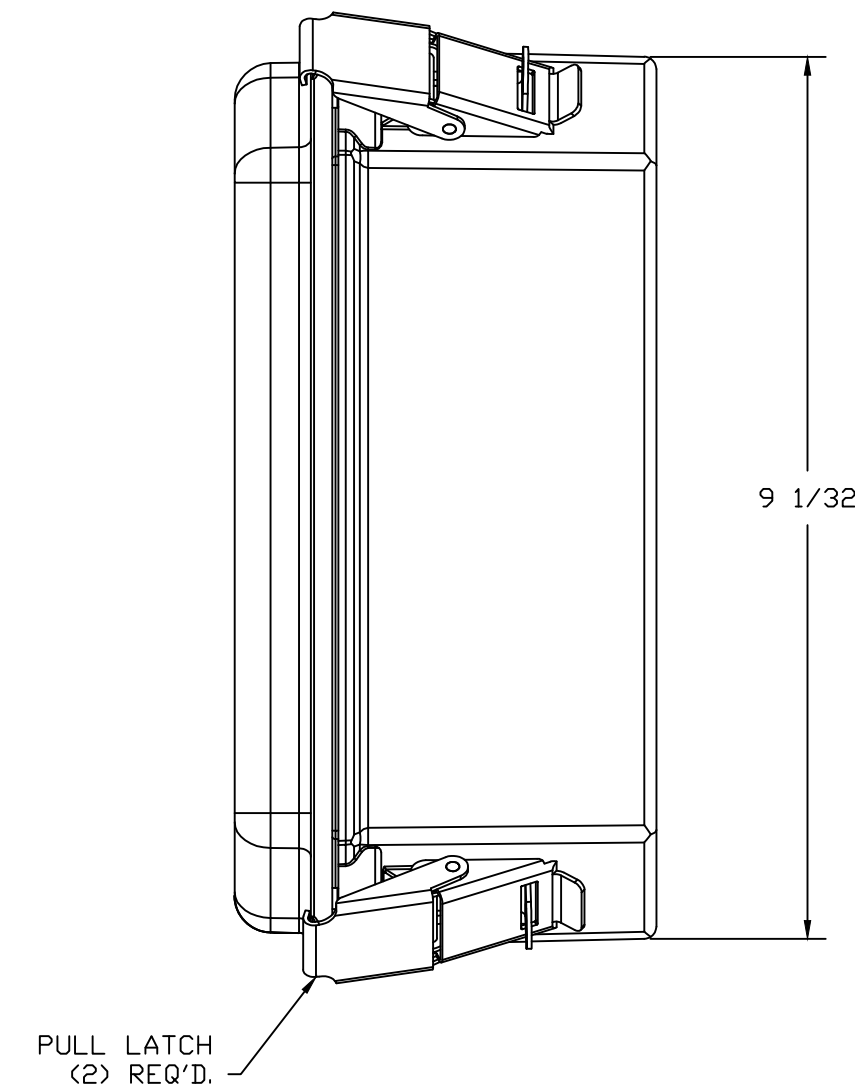
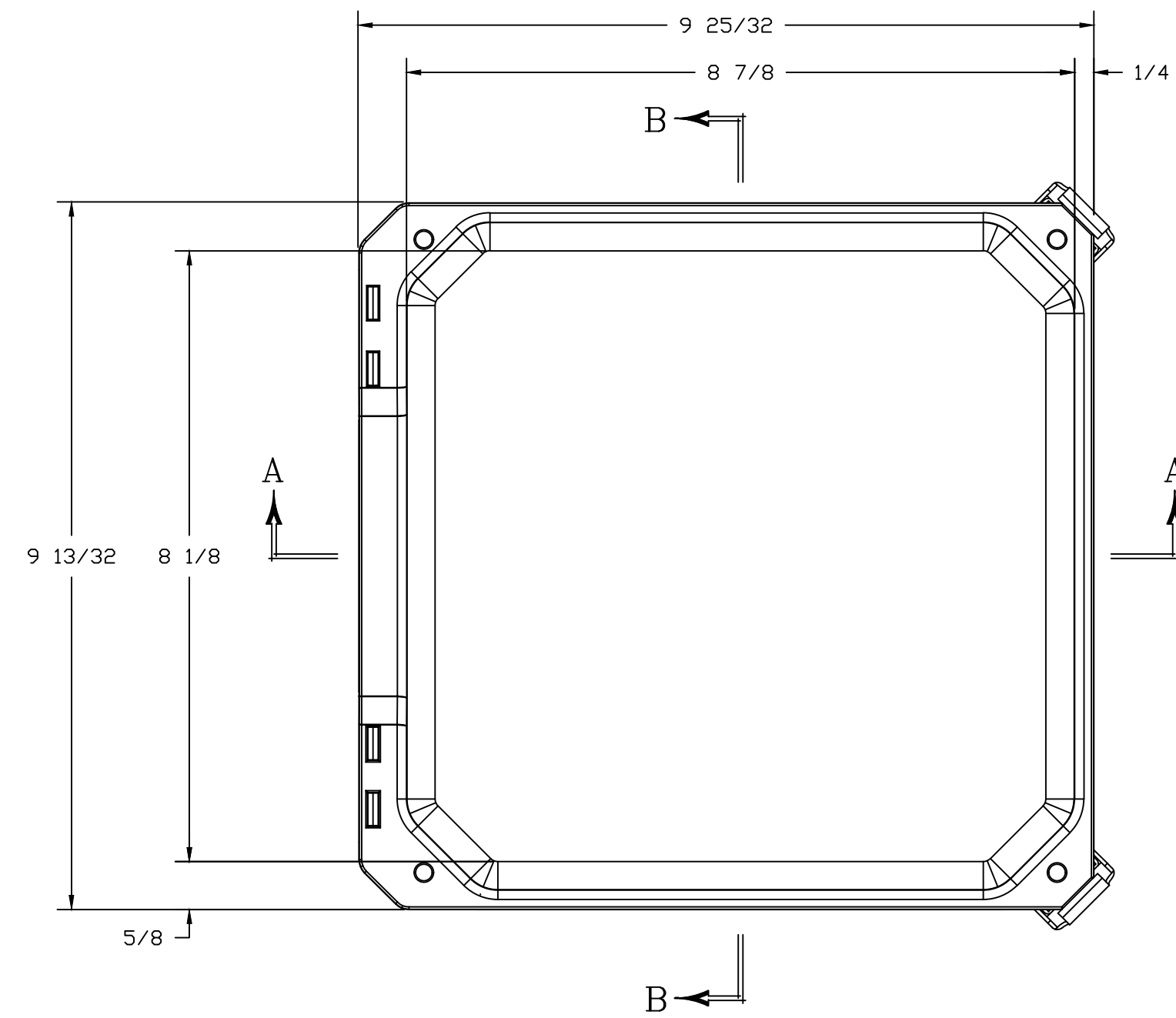
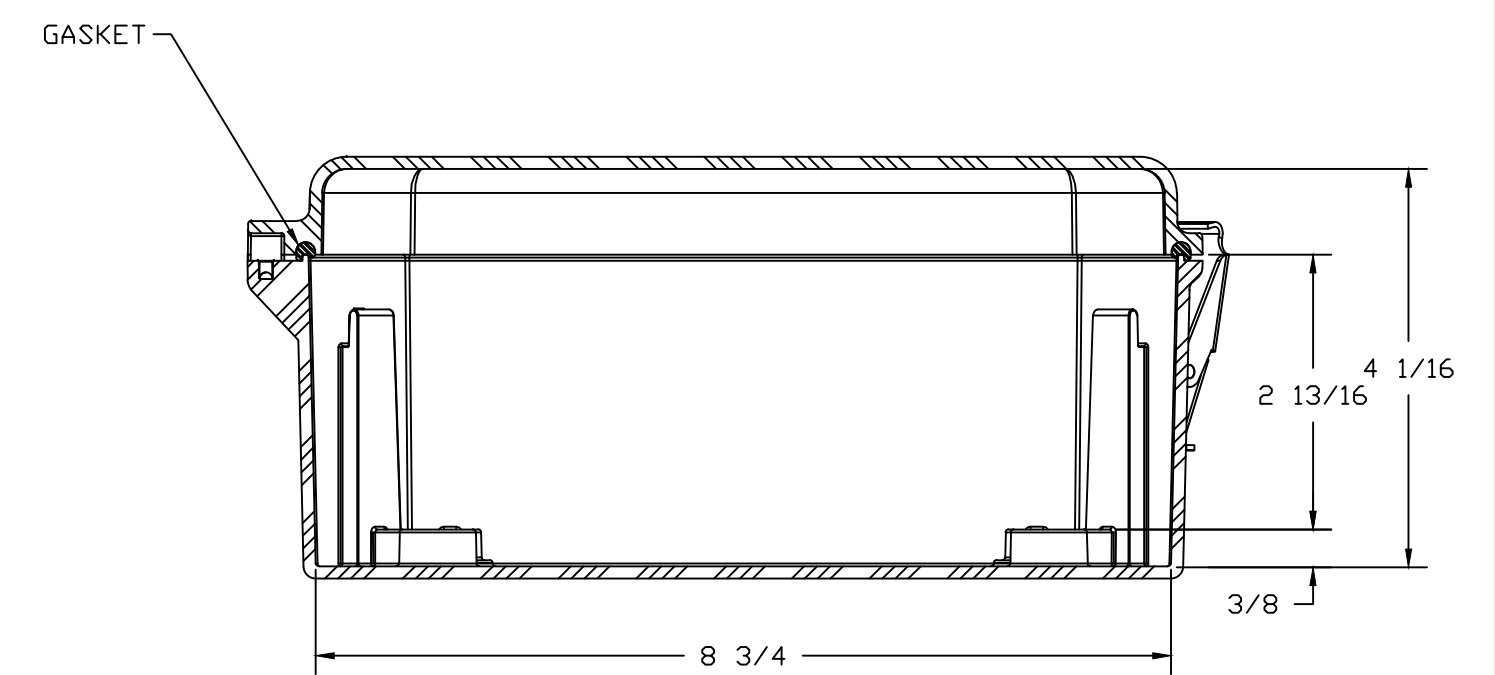
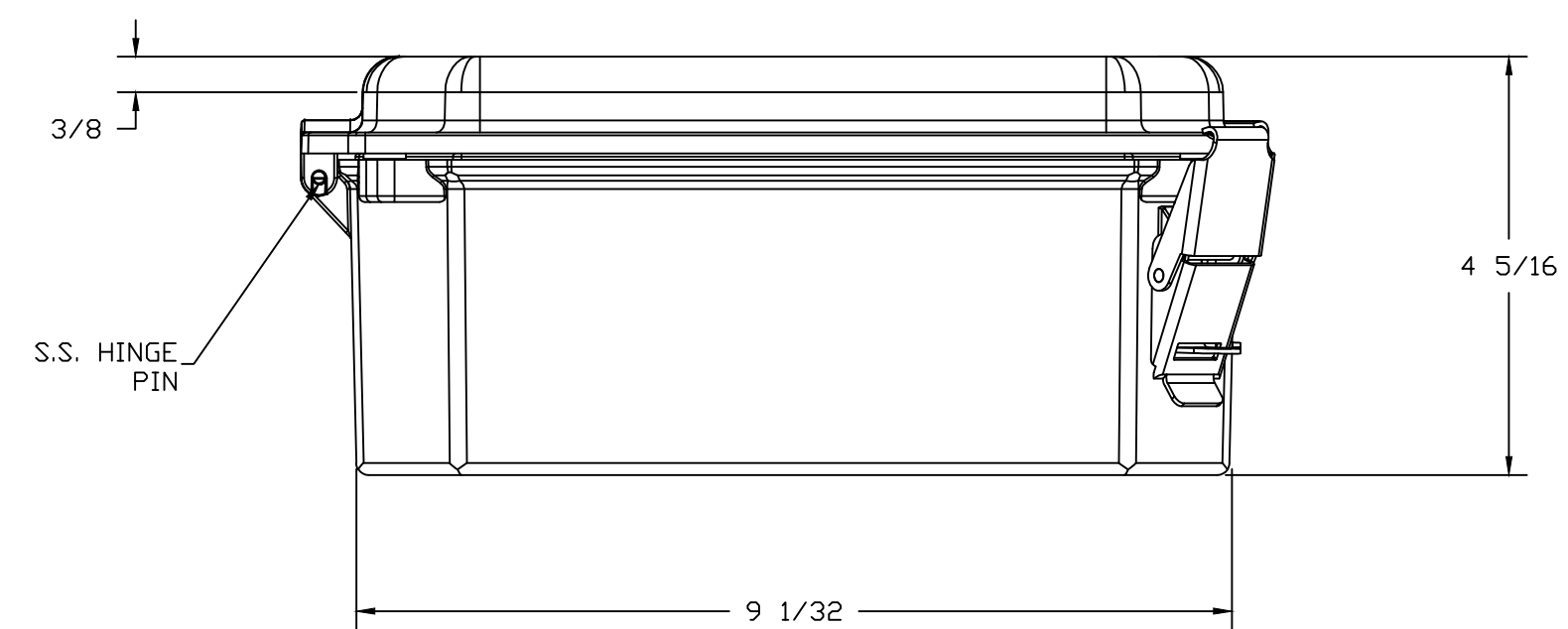


WITH COVER REMOVED



SECTION B-B



SECTION A-A

NOTES:

COLOR: GLACIER GRAY RR1013		TOLERANCES UNLESS SPECIFIED		DECIMAL ± .010	FRACTIONAL ± 1/32
NEMA 1, 3, 3S, 4X, 12, 13 IP66					
MATERIAL F.R. POLYESTER FIBERGLASS		DR. BY ZJB	DATE 3/31/03		
REVISION RECORD		CHK. BY	DATE		
LET.	DATE	BY	CHD.	APD. BY	DATE
				CUSTOMER STAHLIN	AutoCAD DWG. FILE DSCC80804HPL
SCALE DD NDT SCALE		PART NAME ENCLLOSURE		PART NO. DSCC80804HPL	

BELDING, MICHIGAN 48809