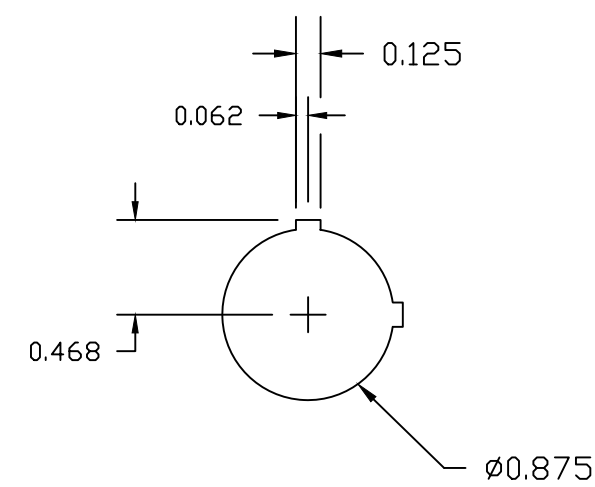
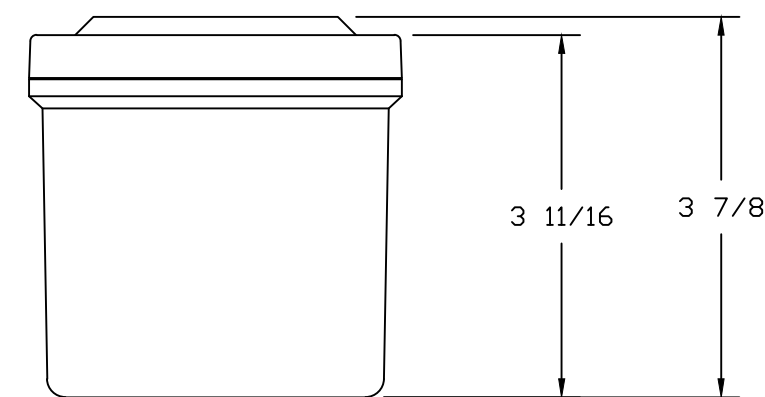
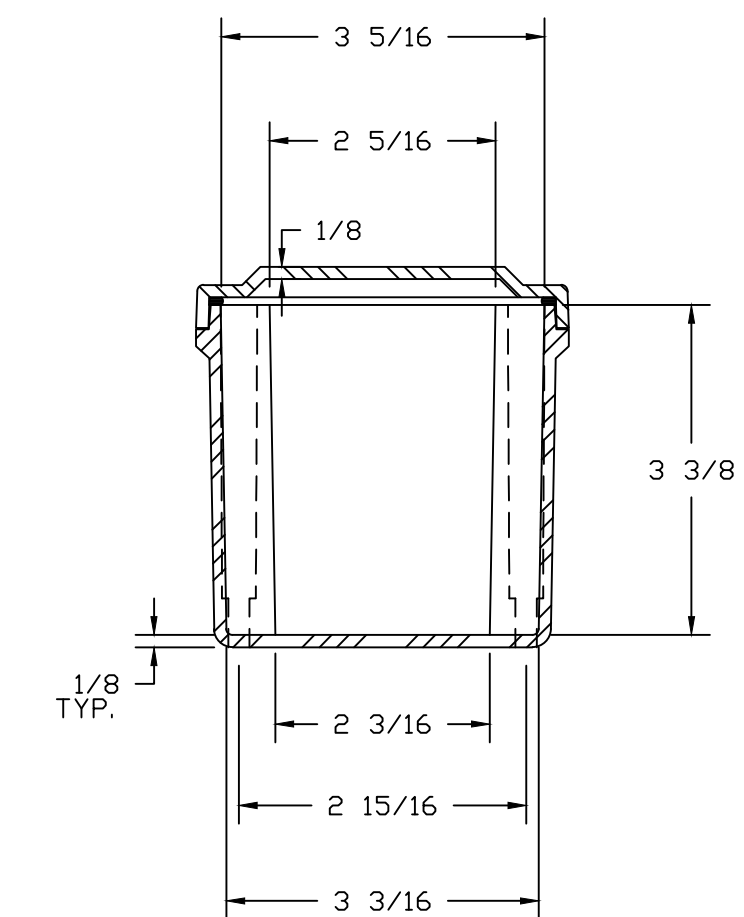


SECTION B-B




HOLE DETAIL

4 PLC'S.



SECTION A-A

NOTES:

NEMA 4X COLOR: GLACIER GRAY RR1013						TOLERANCES UNLESS SPECIFIED		DECIMAL ±.010	FRACTIONAL ± 1/32
GROUND STRAP TO BE FURNISHED WITH ENCLOSURE									
MATERIAL F.R. POLYESTER FIBERGLASS						DR. BY SH	DATE 7/17/91	 BELDING, MICHIGAN 48809	
LET.	REVISION RECORD	DATE	BY	CHD.	CHK. BY	DATE			
					APD. BY	DATE	CUSTOMER		
					SCALE DO NOT SCALE		PART NAME ENCLOSURE	PART NO. CF4PB-22	