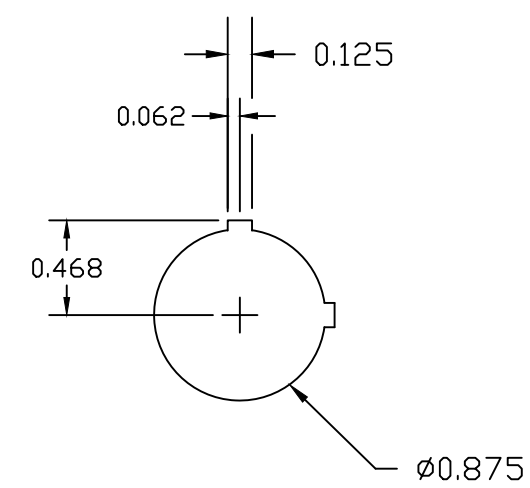
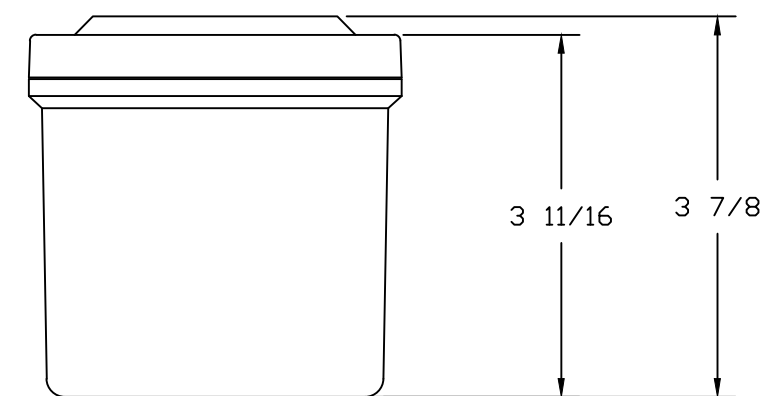
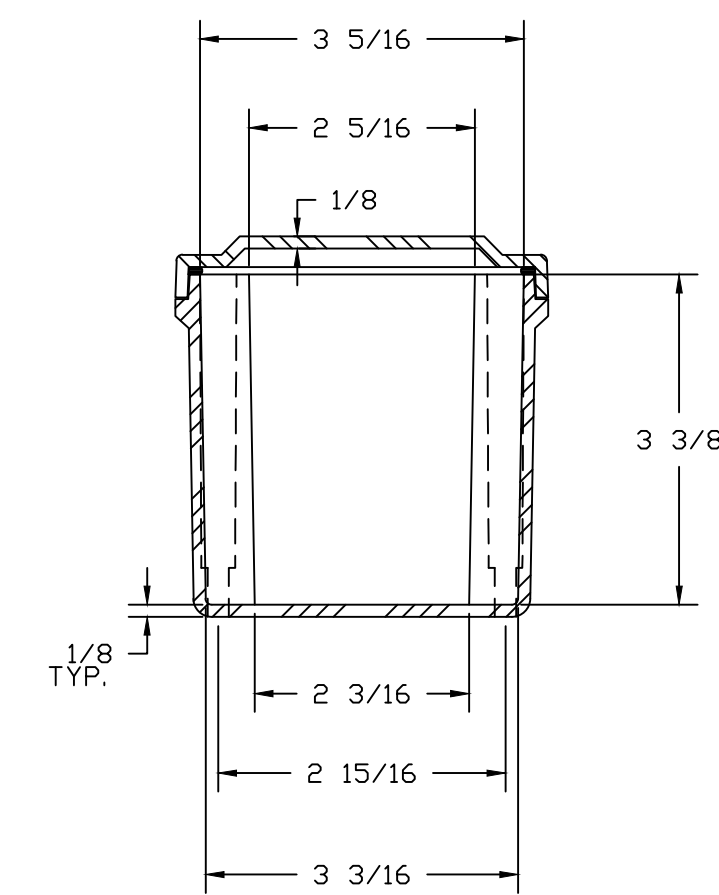


SECTION B-B



HOLE DETAIL  
3 PLC'S.



SECTION A-A

NOTES:

NEMA 4X COLOR: GLACIER GRAY RR1013		TOLERANCES UNLESS SPECIFIED		DECIMAL ±.010	FRACTIONAL ± 1/32
GROUND STRAP TO BE FURNISHED WITH ENCLOSURE					
MATERIAL	F.R. POLYESTER FIBERGLASS	DR. BY	SH	DATE	7/17/91
LET.	REVISION RECORD	DATE	BY	CHK. BY	DATE
				APD. BY	DATE
		SCALE DO NOT SCALE		PART NAME	ENCLOSURE
				PART NO.	CF3PB-22

**STAHLIN**  
ENCLLOSURES  
DIVISION OF ROBROY INDUSTRIES

BELDING, MICHIGAN  
48809

AutoCAD DWG. FILE  
CF3PB-22