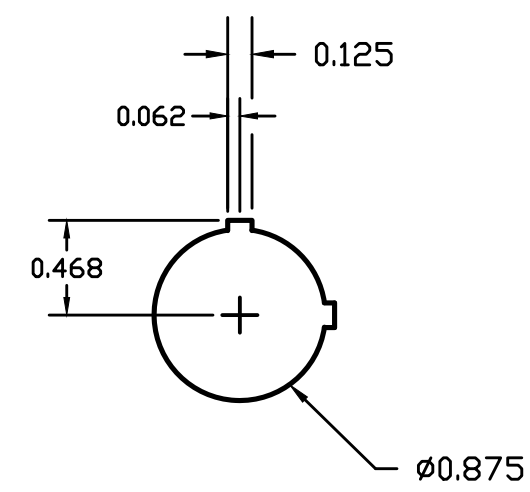
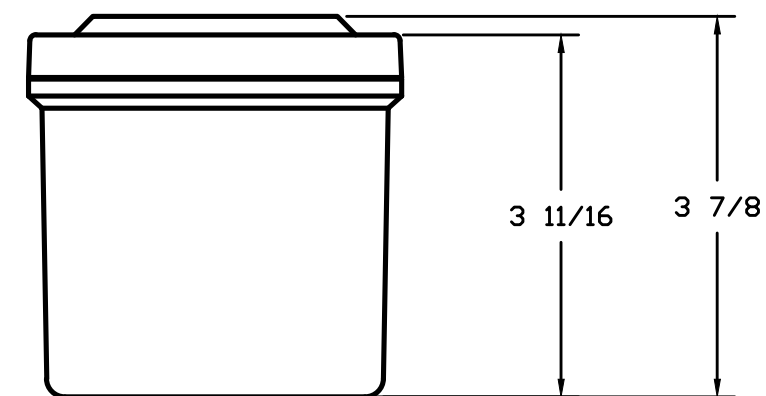
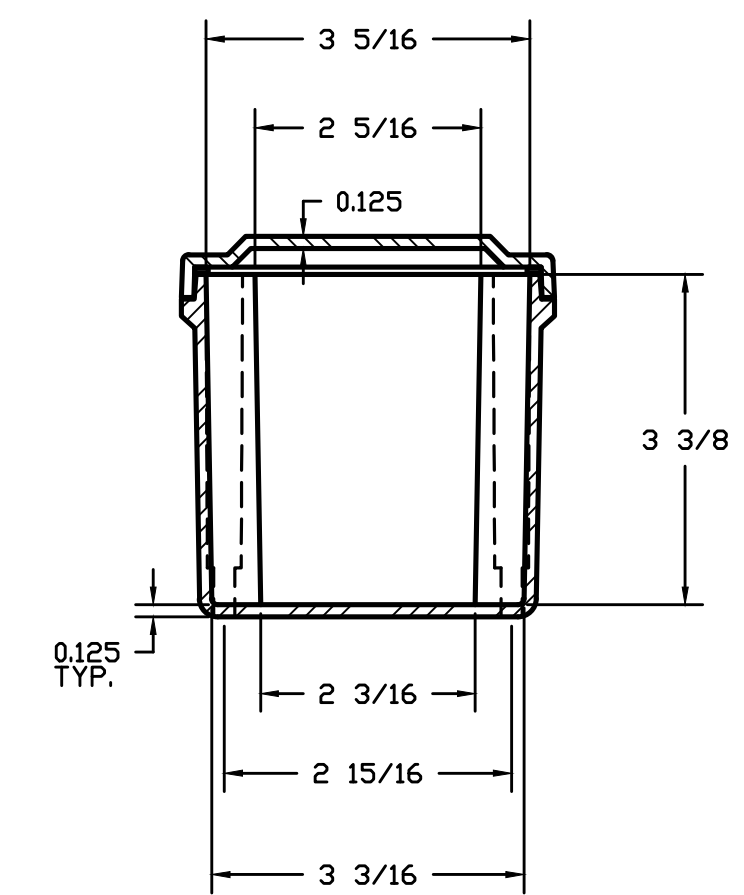


SECTION B-B



HOLE DETAIL
3 PLC'S.



SECTION A-A

NOTES:

NEMA 4X COLOR: GLACIER GRAY RR1013		TOLERANCES UNLESS SPECIFIED		DECIMAL ±.010	FRACTIONAL ± 1/32
GROUND STRAP TO BE FURNISHED WITH ENCLOSURE					
MATERIAL	F.R. POLYESTER FIBERGLASS	DR. BY	SH	DATE	7/17/91
LET.	REVISION RECORD	DATE	BY	CHK. BY	DATE
				APD. BY	DATE
SCALE DO NOT SCALE		PART NAME ENCLOSURE		PART NO. CF2PB-22	



BELDING, MICHIGAN
48809

AutoCAD DWG. FILE
CF2PB-22