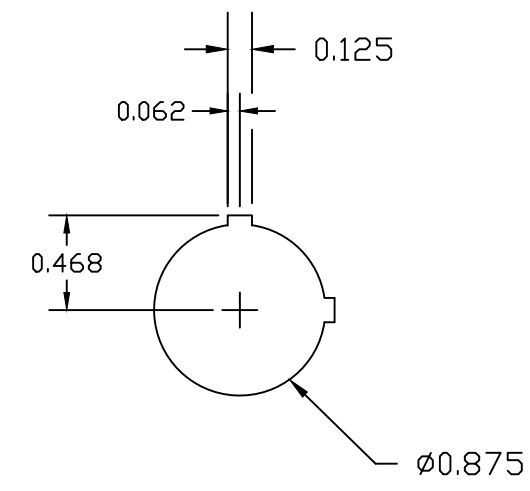
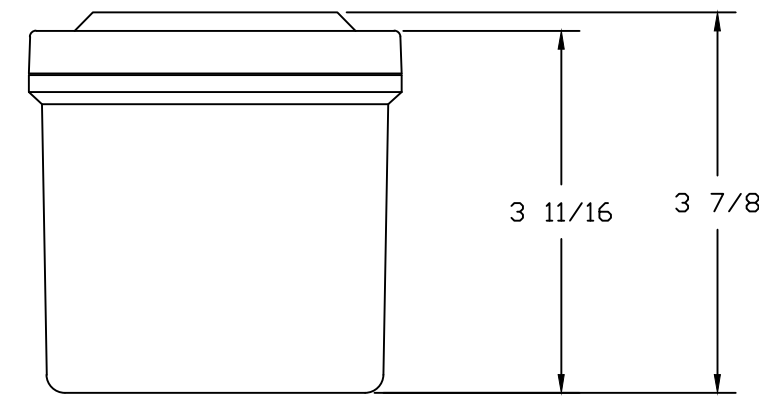
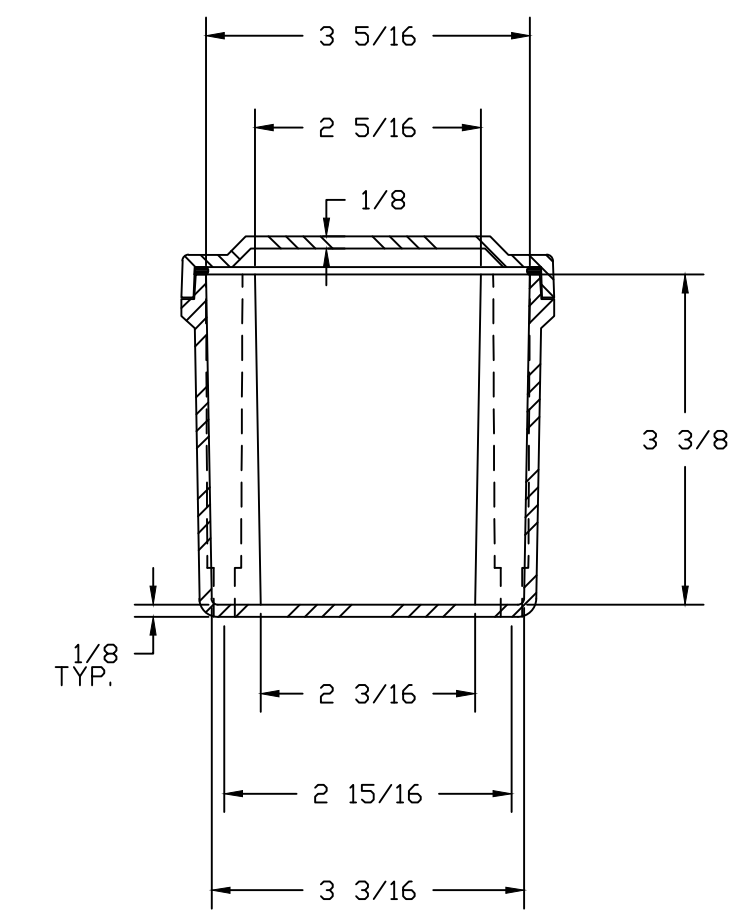


SECTION B-B




HOLE DETAIL
1 PLC'S.



SECTION A-A

NOTES:

NEMA 4X COLOR: GLACIER GRAY RR1013						TOLERANCES UNLESS SPECIFIED		DECIMAL ±.010	FRACTIONAL ± 1/32
GROUND STRAP TO BE FURNISHED WITH ENCLOSURE									
MATERIAL		DR. BY		DATE		 BELDING, MICHIGAN 48809 AutoCAD DWG. FILE CF1PB-22			
F.R. POLYESTER FIBERGLASS		SH		7/17/91					
REVISION RECORD		DATE	BY	CHD.	CHK. BY	DATE	CUSTOMER		
LET.					APD. BY	DATE	SCALE DO NOT SCALE		
							PART NAME ENCLOSURE		PART NO. CF1PB-22